

OpenAir® GGD Electronic Damper Actuators for UL Listed Fire/Smoke and Smoke Control Dampers 2-Position, 15-second Runtime, 15-second Spring Return Time

Product Number	Operating Voltage			Shaft Adapter		Aux. Switch	Packaging	
	24 Vac ± 20%, 50/60 Hz	115 Vac ± 15%, 50/60 Hz	230 Vac ± 10%, 50/60 Hz	Self-centering to 1 Inch	Over-sized to 1.05 Inches		Std. single pack	Eight pack of Standard
GGD121.1U	•			•			•	
GGD121.1U/B	•			•				•
GGD126.1U	•			•		•	•	
GGD221.1U		•		•			•	
GGD221.1U/B		•		•				•
GGD221.3U		•			•		•	
GGD226.1U		•		•		•	•	
GGD321.1U			•	•			•	
GGD321.1U/B			•	•				•
GGD326.1U			•	•		•	•	

Description

The OpenAir direct-coupled, 2-position, spring return electronic damper actuators are UL listed for smoke control dampers or for combination fire/smoke rated dampers. Actuators are designed to operate reliably in smoke control systems requiring Underwriter's Laboratories, Inc. UL555S rating up to 350°F (177°C).



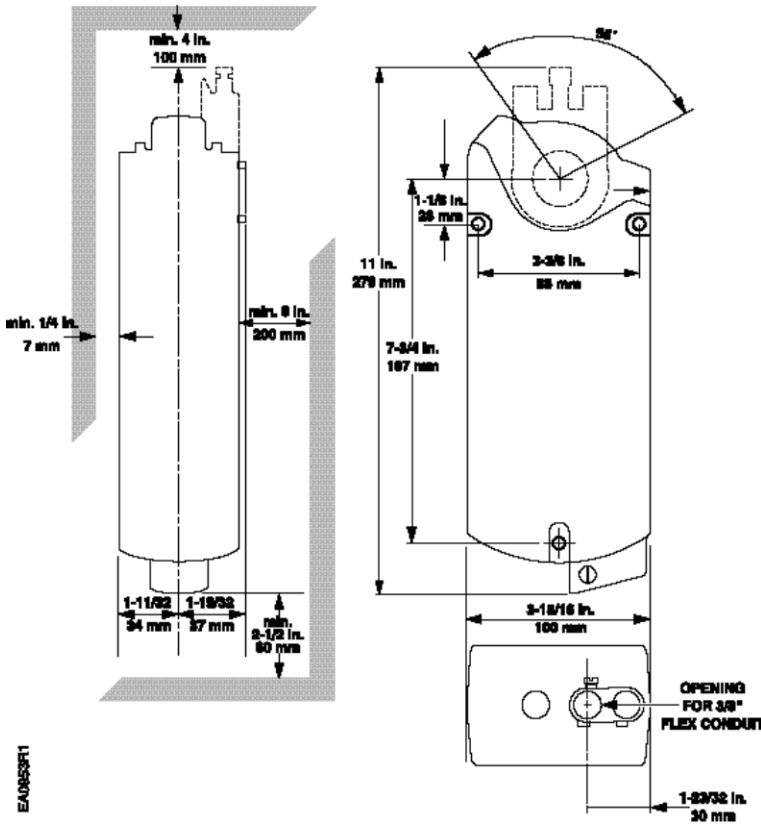
Technical Data

Torque	Running (min.) 142 lb-in (16 Nm), Spring return (min.) 108 lb-in (12 Nm), Minimum stall 350 lb-in (39 Nm)
Torque reduction at elevated temperature	Less than 10%
Runtime for 90° operating with motor at 60 Hz	15 sec. nominal
closing (on power loss) with spring return	15 sec. maximum
Nominal angle of rotation	95° nominal
Power consumption, running	150 VA running, 10 VA holding (nominal)
Life expectancy	Minimum 35,000 full stroke cycles
Damper shaft size, standard	3/8 to 1 inch (8 to 25.6 mm)
Damper shaft size, oversize	1.05 inch (26.6 mm) maximum
Damper shaft size, minimum	3/4 inch (20 mm)
Agency listings	UL873, C-UL C22.2 No. 24-93, AS/NZS CISPR 11:2004 (2 nd Edition)
Ambient temperature, operating	0 to 130°F (-18 to 55°C), one time 350°F (177°C) for 30 minutes (per UL555s)
Ambient temperature, storage/transport	-25 to 158°F (-32 to 70°C)
Ambient humidity (non-condensing)	Maximum 95% R.H.
Teflon® cable	400°F (200°C)
Enclosure	NEMA 1
Housing material	Die-cast aluminum alloy
Pre-cabled connection	AWG 18
Weight	≈7 lbs. (3.2 kg)

Features

- High-temperature rated drive system
- Reversible fail-safe spring return
- All metal housing
- Precabled Teflon® insulated lead wires
- Mechanical range adjustment
- Multiple shaft couplings available; will accommodate up to 1.05-inch (26.6 mm) shafts
- Fifteen second nominal open time; 15 second maximum spring return time
- Models available for 24, 115, and 230 Vac
- Fixed Dual End Switches models:
24 Vac to 250 Vac, 24 Vdc, 6A resistive
2FLA/12 LRA
SPST
Fixed 5° and 85°

Dimensions

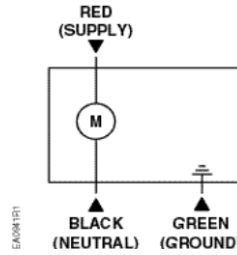


Maintenance

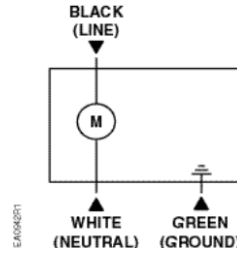
The National Fire Protection Association (NFPA) National Fire Codes®: NFPA 92A, and UL, require weekly self test for dedicated smoke control equipment used in a smoke control system. The actuator was designed such that no special cycling is required during long-term holding when used as a fire damper. Cycling once a year is recommended as a safety precaution for the fire control systems.

Wiring Diagrams

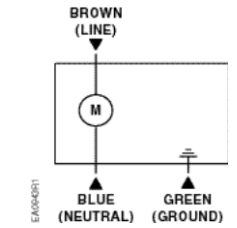
24 Vac:



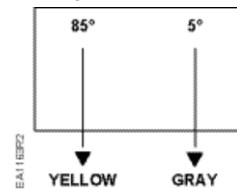
115 Vac:



230 Vac:



NOTE: Wire the 230 Vac actuator with a 230 Vac line with respect to neutral and connect the ground lead for proper protection of the actuator. Any other connection such as phase-to-phase, can damage the actuator.



Switch	Wire Color	Switch Makes	Switch Brakes
5°	Gray	< 5°	> 5°
85°	Yellow	> 85°	< 85°

Figure 1. Dual Fixed End Switches.

NOTE: Both sets of contacts are open when actuator is between 5° and 85°.

Information in this publication is based on current specifications. The company reserves the right to make changes in specifications and models as design improvements are introduced. OpenAir is a registered trademark of Siemens SCHWEIZ AG. Other product or company names mentioned herein may be the trademarks of their respective owners. © 2015 Siemens Industry, Inc.