

---

## Fitting instruction for Connection kit 7XV5107-0BB00

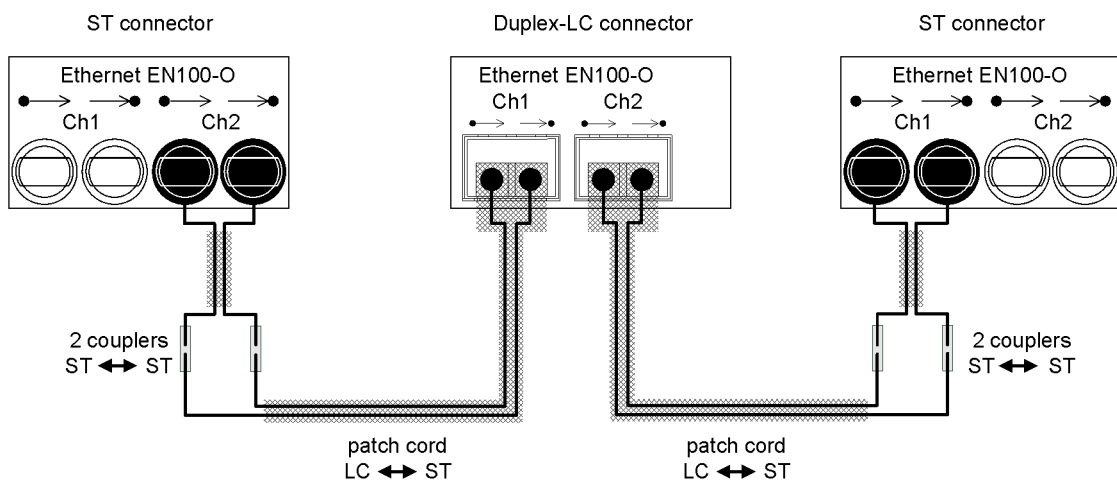
---

### Connection kit 7XV5107-0BB00 for fibre optics infrastructure:

For EN100-O with Duplex-LC connector to existing EN100-O with ST connector.

#### Scope of delivery:

- 2 patch cord LC ↔ ST, length 1m, fibre 62.5µm/125µm
- 4 couplers ST ↔ ST



TxD = ●→ RxD = →●

Document Version 4.00.03

Subject to technical alteration

Copying this document and giving it to others and the use or communication of the contents thereof, are forbidden without express authority. Offenders are liable to the payment of damages. All Rights are reserved in the event of the grant of a patent or registration of a utility model or design.

---

SIEMENS AKTIENGESELLSCHAFT

Order No.: C53000-A1000-X120-1A-7620

Available from: E D EA Bln W5

Printed in Germany/Imprimé en Allemagne

AG 0209 0.1 -- 2 En