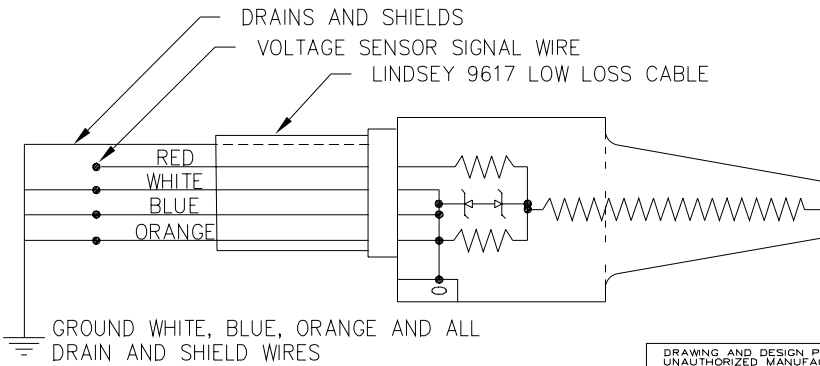
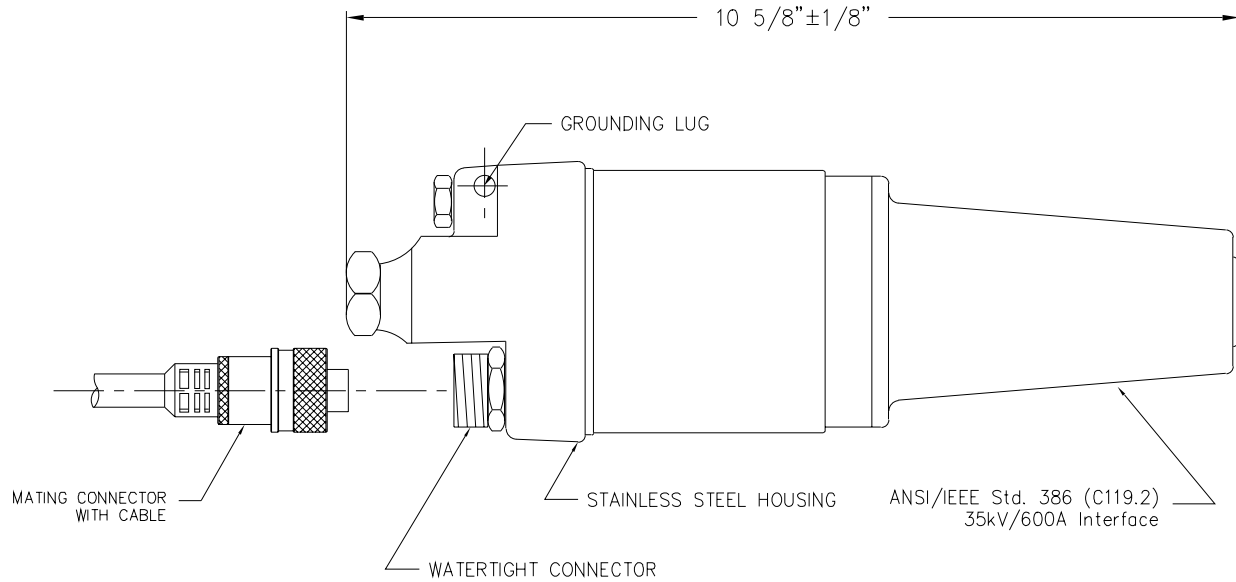
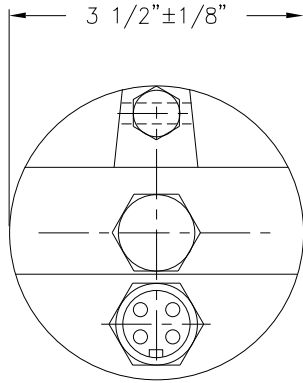


NOMINAL VOLTAGE RATIO166:1
 CABLE LENGTH (FT) 20

REFER TO THE "CERTIFICATION DATA SHEET" THAT
 ACCOMPANIES EACH PLUG FOR THE EXACT RATIO



USUAL LINE VOLTAGE (kV) 35
 BASIC IMPULSE INSULATION LEVEL (BIL-kV) . . . 150
 NET WEIGHT, EACH (lbs) 8.5
 PACKED WEIGHT, EACH (lbs) 10
 STANDARD PACKAGE 1

DRAWING AND DESIGN PROPERTY OF LINDSEY MFG. CO.
 UNAUTHORIZED MANUFACTURE OR REPRODUCTION IN
 WHOLE OR PART PROHIBITED.

INNOVATIONS
 IN
 TRANSMISSION AND
 DISTRIBUTION



LINDSEY
 MANUFACTURING COMPANY
 760 N. GEORGIA / AZUSA, CA 91702 (818)969-3471

TITLE: ELBOWSENSE
 35kV VOLTAGE MONITORING PLUG

-STRENGTH- LBS. REQ-

USED ON NUMBERS	NO.	DATE	BY	APP.	DESCRIPTION
					REVISIONS

TOLERANCES UNLESS OTHERWISE NOTED	
FRACTIONS	DECIMALS
CAST	
FORGE	
MACHINE	
FABRICATION	

ASMB-	WEIGHT	APP.
	RAW	8-29-96
	FIN.	
	MATERIAL	CHK.
	FINISH	
NOTE!	DO-NOT SCALE DRAWING	DRG. SP
	BREAK ALL SHARP EDGES	8-29-96

SCALE	NUMBER
NONE	
LAST-REVISION	DRAWING-NUMBER
NO. DATE	9554/0712