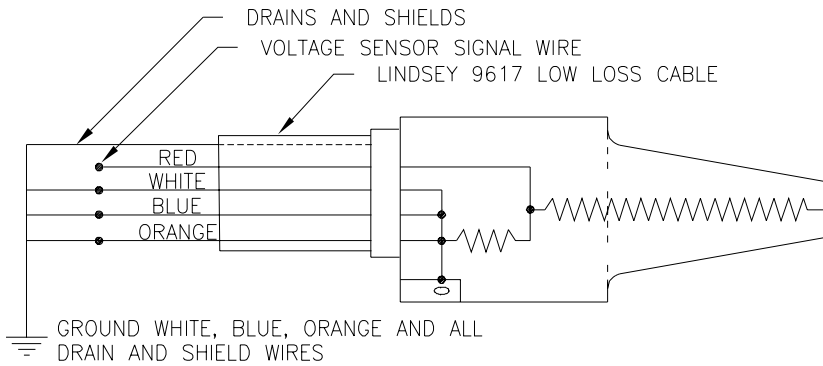
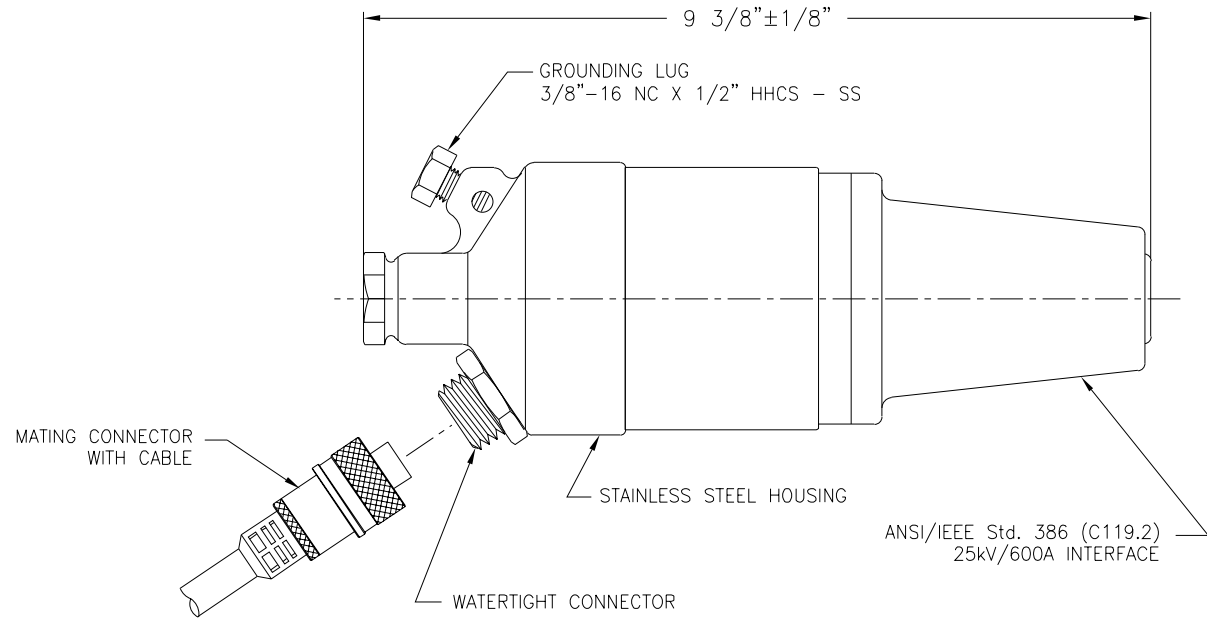
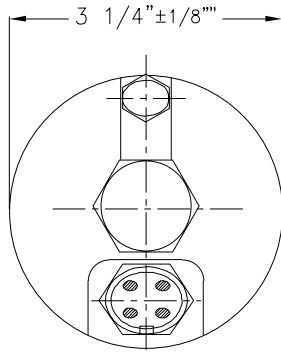


NOMINAL VOLTAGE RATIO . . . . . 120:1  
 CABLE LENGTH (FT) . . . . . 10

REFER TO THE "CERTIFICATION DATA SHEET" THAT  
 ACCOMPANIES EACH PLUG FOR THE EXACT RATIO



USUAL LINE VOLTAGE (kV) . . . . . 25  
 BASIC IMPULSE INSULATION LEVEL (BIL-kV) . . . . 125  
 NET WEIGHT, EACH (lbs) . . . . . 7.8  
 PACKED WEIGHT, EACH (lbs) . . . . . 8.5  
 STANDARD PACKAGE . . . . . 1

INNOVATIONS  
 IN  
 TRANSMISSION AND  
 DISTRIBUTION



**LINDSEY**  
 MANUFACTURING COMPANY  
 760 N. GEORGIA AVE. AZUSA, CA 91702  
 PHONE: (626)969-3471 FAX: (626)969-3177  
 e-mail: LindseyMan@aol.com

LAST-REVISION NO. DATE		APP.	TITLE:
A	4/5/04		ELBOWSENSE 25kV VOLTAGE MONITORING PLUG

DRAWING AND DESIGN PROPERTY OF LINDSEY MFG. CO. UNAUTHORIZED MANUFACTURE OR REPRODUCTION IN IN WHOLE OR PART PROHIBITED	DRG.	PR	SCALE	DRAWING-NUMBER SD
	4/5/04		1:2	9553/0611