

3 Pole high impedance differential relay 7VH83

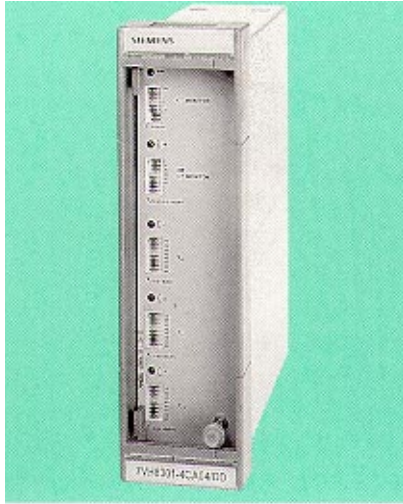


Fig 1. High impedance differential protection relay 7VH83

Features

- Integral CT shorting relay.
- Robust solid state design.
- Inrush stabilisation through filtering.
- Fast operating time.
- LED indicator.
- Simple voltage setting.
- Integral buswire supervision.

Applications

The 7VH83 relay is designed for fast and selective differential protection based on the high impedance circulating current principle. It is used for the protection of machine stator windings, busbars and transformer and reactor windings against phase to phase and phase to earth short circuits.

Design

The withdrawable module is housed in a 7XP2020 metal case suitable for flush mounting. The plug connector at the rear of the case has one screw and one snap on terminal for each connection point. The plug connector is marked with a coordinated system depending on the mounting location e.g. 4A1 denoted row 4, block 1, column 1. The individual connections are marked sequentially from left to right (viewed from the rear). See Fig. 3.

Mode of Operation

The 7VH83 relay is a three pole sensitive current relay. The AC input impedance of the relay is regulated by a constant current circuit that is independent of the voltage setting.

The relay setting voltage pick-up value is set by means of DIL switches located on the front of the relay module. The voltage setting is determined by adding the base value to the sum of the selected setting switch positions.

The input from the CT's is galvanically isolated from the static operating circuit. The AC measured current is band pass filtered and rectified to a proportional dc voltage. This voltage is monitored by switching circuits controlled by zener diodes. When the dc voltage exceeds the set value, the solid state amplifiers operate the command output relays, the LED indication and a latched CT shorting relay.

The CT shorting relay is designed to short circuit the CT buswires instantaneously removing the high voltage across the relay CT input.

The reason for shorting out the CT's after the relay operation is to reduce the high voltage stress on the insulation and MOV especially during commissioning and maintenance when the primary current can be injected for long periods.

Resetting of the relay and LED indication can be performed locally from a push button on the front panel or electrically from remote.

Various tripping options can be selected by setting links LK1, LK2 and LK3 on the P.C. Board.

Option 1:

Two out of two tripping criteria

By selecting links LK1 to position "b" and LK3 to position "a", the "differential tripping" circuits are enabled when the "external start" input is energised from either an instantaneous overcurrent or undervoltage relay source.

Option 2:

Two out of two tripping

By selecting links LK1 to position "a" and LK3 to position "b", additional security is obtained where "differential tripping" circuits are enabled together with the instantaneous pick-up of the buswire supervision circuit.

Option 3:

One out of one tripping criteria

By selecting links LK1, LK2 and LK3 to positions "a", "differential tripping" circuits are permanently enabled and will operate immediately once the voltage setting is exceeded.

3 Pole high impedance differential relay 7VH83

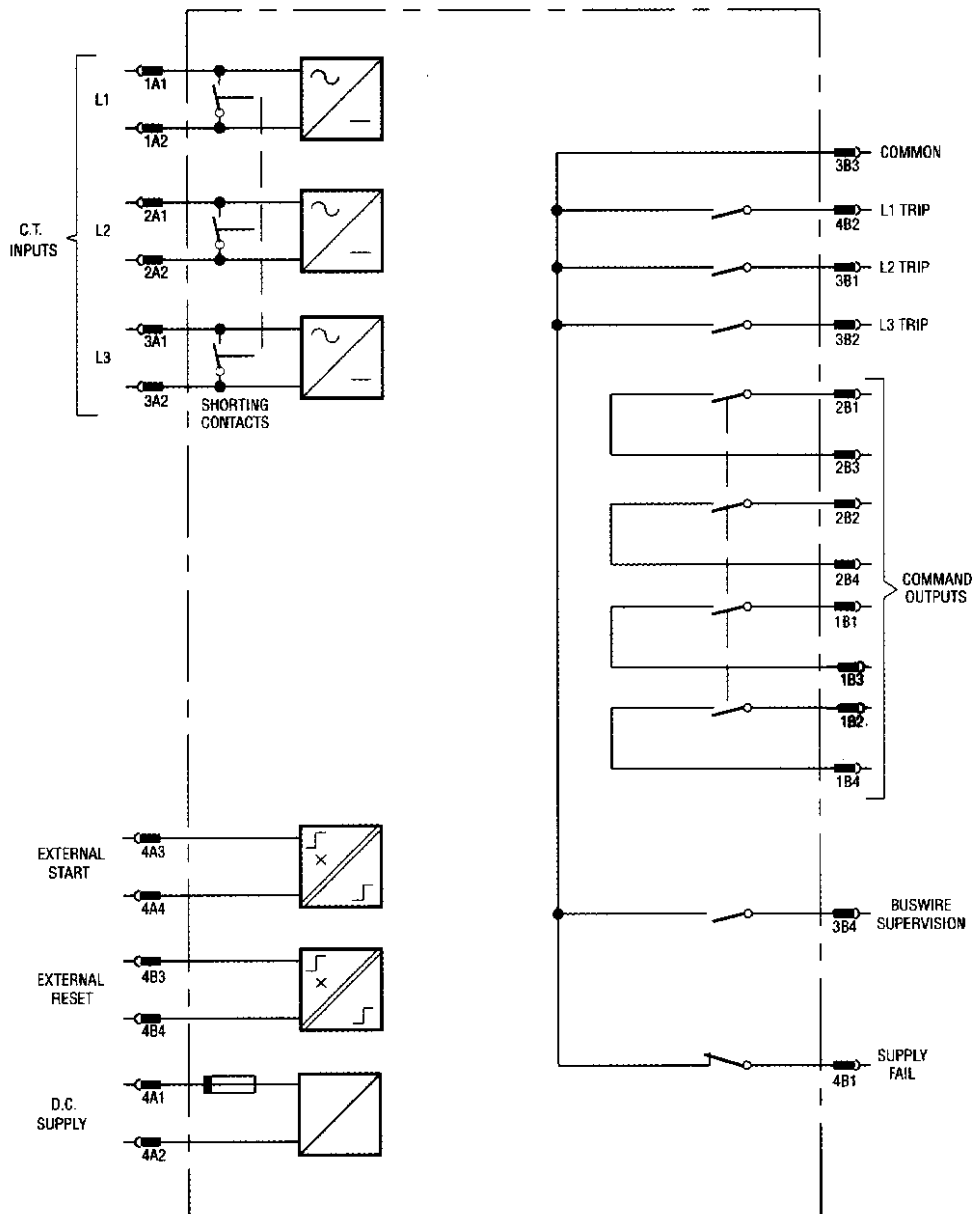


Fig 2. Connection diagram for 7VH83 relay

3 Pole high impedance differential relay 7VH83

Technical Data

CT Circuits Normal frequency	50 Hz or 60 Hz	
Thermal Withstand 2 sec Continuous	505 volt 400 volt	
Measuring Circuit Setting range Differential protection Buswire supervision Buswire supervision timer Tripping Time 1,1 x setting 1,2 x setting 1,5 x setting 5 x setting Pick up to drop out ratio Reset Time	10 to 280 volts in 10 volt steps 5 to 160 volts in 5 volt steps 0 to 15 seconds in 1 second steps 56 ms 43 ms 30 ms 21 ms 0.95 20 ms	
Supply and Reset Voltage	24/48V dc 110/125V dc 220/250V dc	19 to 56 V dc 48 to 144V dc 176 to 288V dc
Supply Burden (at rated voltage) For all voltages Quiescent Picked up	4 W 5 W	
Contacts Number of Contacts Make Break Carry Max Switching Voltage	Command Output 2 N/O 1000 W/VA 30 W/VA 30A for 0,5s and 5A continuous 250V AC/dc	Alarm 1 N/C 30 W/VA 30 W/VA
Indication	LED trip indication per phase LED indication for CT buswire supervision	

3 Pole high impedance differential relay 7VH83

Environmental Withstand

Max. Temperatures, during Service Storage Transport	- 10°C to + 55°C - 25°C to + 55°C - 25°C to + 70°C
Humidity, acc. to DIN 40 040	class F
Vibration, service	0.5g between 60 to 500 Hz 0.035 mm amplitude between 10 to 60 Hz
Vibration, transport	2 g between 8 to 500 Hz 7,5 mm amplitude between 5 to 8 Hz
Insulation Tests HV Test IEC 255-5 Impulse Test IEC 255-5	2kV (rms); 50/60 Hz; 1 min 5kV (peak); 1,2/50 µs; 0,5J; sec 3 positive and 3 negative shots at intervals of 5s
High Frequency Test IEC 255-22-1 Class III	2, 5 kV (peak); 1 MHz; π = 1,5 µs; 400 shots/s duration 2s
EMI Test	
IEC 801-3 ANSI/IEEE C37.90.2	20 MHz to 1000 MHz at 10V/m field strength
Weight Dimensions	
Withdrawable Module	3U; 12 slots of 5.08 mm
Case	
Standard metal case for flush mounting	7XP201 0-2C
Size	1/6 of 19" rack
Extra frame for surface mounting	7XP21
Enclosure protection	IP51
Mass	Approx. 1kg
Modular Terminal Block	
Each terminal provides one snap-on connection one tunnel type screw connection	1.5 mm ² wire

3 Pole high impedance differential relay 7VH83

Ordering Data

3 Pole High-Impedance Differential Relay With CT Shorting Input Relay	Order No. 7VH8300	-			A	
Auxiliary Supply Voltage			3 4 5			
24/48V dc 60/110/125V dc 220/250V dc						
Mechanical Construction					C	
Plug-in Module in a 7XP20 case						
External Varistors						0
With 3 Varistors as loose items Without varistors						1
Reset Voltage						3
24/48V dc 60/110/25V dc 220/250V dc						4
						5

ORDERING DATA

Please specify the varistor type required (see page 10) for your application or consult your nearest Siemens office.

3 Pole high impedance differential relay 7VH83

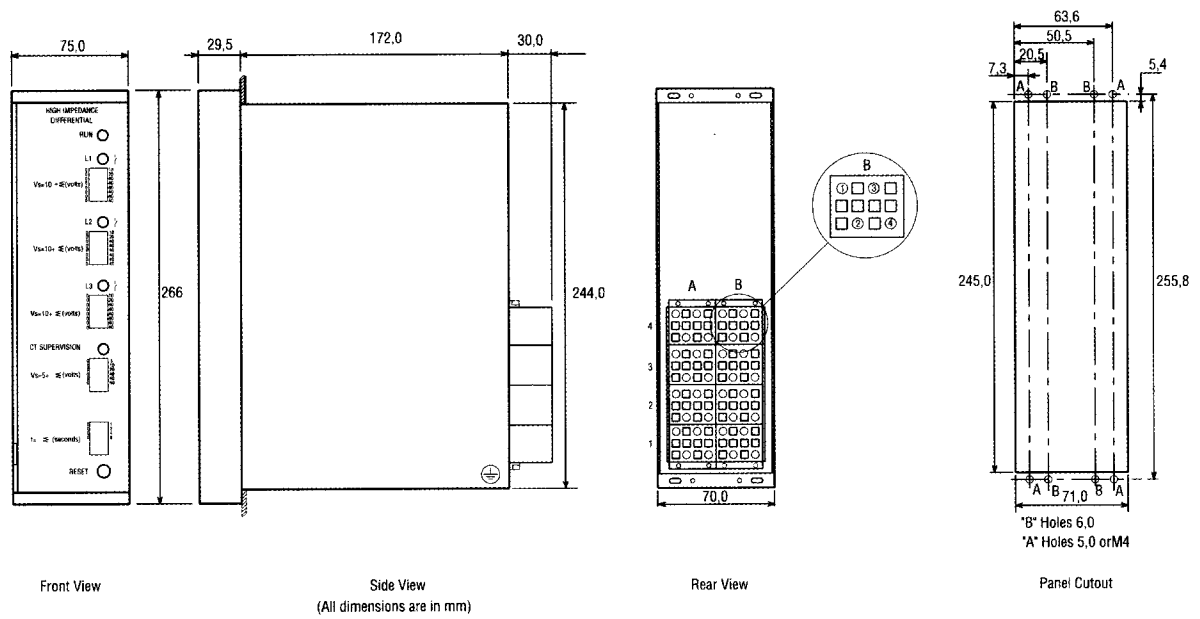


Fig 3. 7VH83 relay in flush mount case

3 Pole high impedance differential relay 7VH83

Relay setting

List of abbreviations

- I_E** = Current transformer exciting current at relay setting voltage.
(referred to the CT secondary current)
- I_F** = Maximum value of primary through fault current for which protection must remain stable.
- I_{FM}** = Maximum value of primary fault current for internal fault.
- I_p** = Primary current for operation of protection.
- I_R** = Relay operating current.
- I_{SH}** = Current in shunt resistor at relay setting V_R.
- N** = Turns ratio of current transformer.
- n** = No. of current transformers in parallel with relay.
- R_{CT}** = Secondary resistance of current transformer.
- R_L** = Lead resistance between furthest current transformer and relay connection point.
- R_R** = Relay impedance.
- R_{SH}** = Value of shunt resistor.
- V_F** = The theoretical voltage which would be produced across the relay circuit under internal fault conditions.
- $$V_F = \frac{I_{FM}}{N} (R_{CT} + 2R_L + R_R)$$
- V_K** = Knee point voltage of current transformer.
- V_P** = Peak voltage across relay circuit under maximum internal fault conditions.
- V_S** = Minimum Setting voltage. (Calculated)
- V_R** = Relay setting voltage.
- K** = Varistor constant.
- B** = Varistor constant.

3 Pole high impedance differential relay 7VH83

Calculation of relay protection setting

The minimum setting voltage to ensure stability is

$$V_S \geq \frac{I_{FM}}{N} (R_{CT} + 2R_L)$$

The relay plug setting voltage VR must be set to the nearest tap above VS. The minimum knee point voltage must be

$$V_K \geq 2V_R$$

The primary current for operation is given by

$$I_P = N(I_R + nI_E)$$

If the resultant value of IP is too low it may be increased by the addition of a shunt resistor RSH to give a current of

$$I_{SH} = V_R / R_{SH}$$

The new increased value of primary current

$$I_P = N(I_R + nI_E + I_{SH})$$

Setting advice

With particular reference to high impedance busbar protection, the plant and equipment should have protection with the following features:

- adequate sensitivity
- fast response time
- stability, when external faults occur
- selectivity to allow disconnection of only the faulted section
- permanent supervision of the current transformers

Relay operation shall not occur on:

- saturation of the CT's by the transient dc component when a serious fault

occurs outside the zone

- accidental open or short circuit of the secondary of one or more CT's.

The operating current of the relay is 5mA irrespective of the voltage selected excluding the current drawn by the external varistor.

Configuration are generally provided

- polyphase faults; requiring a three relay type 7VH83 phase. Current transformer supervision, protects against the accidental opening of a CT connection. This occurrence normally causes a fault current that is too low to activate the relay circuits, however the condition should be signalled before the appearance of an actual fault . The supervision would register the low unbalanced current and control a time delayed output alarm.

Knee-point voltage of current transformers

The CT's will not be saturated by the short-circuit current if the knee-point voltage is greater than twice the maximum voltage likely to be applied across the terminals of the relay during the fault.

$$V_{RMAX} = 2\sqrt{2V_K(V_F - V_K)}$$

At the maximum secondary through fault current the varistor should limit the voltage to < 1 000V rms if possible.

Determination of magnetising current IE

The manufacturer of the current transformer supplies the magnetic characteristics from which the magnetising current curve versus the secondary voltage is

shown. From this curve, it is easy to determine the magnetising current IE for a secondary voltage of V.

CT supervision circuit

If the CT's have broken or shorted connections, the protective relay may detect this condition as a busbar fault and therefore trip all the circuit breakers in that zone. If several CT's are associated in the zone, the disconnection of one of them (corresponding perhaps to a lightly loaded feeder) will result in a very low fault current measurement. If this unbalance is lower than the 7VH83 protection setting, this condition will not be detected. Therefore a more sensitive monitoring circuit is required for CT supervision. This monitoring circuit is integral to the 7VH83 relay.

CT Requirements

The correct operation of the high impedance circulating current protection is largely dependant on the CT dimensioning.

To enable the CT manufacturer to design an appropriate CT, a class X specification, as outlined in the BS3938 or similar should be specified and would include:

1. CT Knee point voltage (VK)
2. CT secondary resistance (RCT)
3. CT magnetisation/excitation current (IE)
4. Turns ratio (N)
5. Thermal rating of the secondary turns to primary load current.

In the case of existing current transformers the above details can be obtained either from the manufacturers design test sheets, or by carrying out a magnetising characteristic test comparing excitation current to the applied voltage, a resistance measurement and a primary to secondary ratio check.

3 Pole high impedance differential relay 7VH83

Varistor Selection

Each 7VH83 relay is normally applied with an external varistor which must be connected across the relay input terminals. The varistor limits the voltage developed across the CT and relay terminals under fault conditions.

A varistor is a non-linear or voltage dependent resistor. It is a ceramic semi-conducting resistance material in which the relationship between resis-

tance and applied voltage is non-linear, i.e. an increase in the applied voltage will result in a decrease in the resistance and hence an increase in the current. The change in resistance occurs instantaneously.

The electrical characteristics can be expressed as $V = KI^B$ where K and B are constant for any one varistor.

If the current transformer secondary voltage is to be limited to a safe level during maximum internal fault conditions then a varistor may be required. Generally if

$$V_{RMAX} > 2KV$$

then a varistor is required

$$V_{RMAX} = 2\sqrt{2V_K(V_F - V_K)}$$

Relay Voltage Setting	K	B	Varistor type
Up to 125V rms	450	0.25	600A/S3/I/S802

Table 2

K Characteristic	Max. Continuous Rating – rms	
450	200V	
900	350V	
Varistor Assembly Type	Unit K Value	Short Time Rating
Standard 600A/S3/I/S802	450	22A for 3 seconds 30A for 2 seconds 45A for 1 second

Table 3

Installation and Commissioning Instructions

Installation

Protective relays, although generally of robust construction, require careful treatment prior to installation. By observing a few simple rules the possibility of premature failure is eliminated and a high degree of performance can be expected.

The relays are either despatched individually or as part of a panel/rack mounted assembly in cartons specifically designed to protect them from damage. Relays should be examined immediately to ensure that no damage has been

sustained in transit. If damage due to rough handling is evident, a claim should be made to the Transport Company concerned immediately and the nearest Siemens Office should be promptly notified.

3 Pole high impedance differential relay 7VH83

Relays which are supplied unmounted and not intended for immediate installation should be returned to their protective cartons.

Care must be taken when unpacking and installing the relays so that none of the parts are damaged or their settings altered and must at all times be handled by skilled persons only.

Relays which have been removed from their cases should not be left in situations where they are exposed to dust or damp. This particularly applies to installations which are being carried out at the same time as construction work.

If relays are not installed immediately upon receipt they should be stored in a place free from dust and moisture in their original cartons and where dehumidifier bags have been included in the packing they should be retained.

The action of the de-humidifier crystals will be impaired if the bag has been exposed to damp ambient conditions and may be restored by gently heating the bag for about an hour, prior to replacing it in the carton.

Dust which collects on a carton may, on subsequent unpacking, find its way into the relay; in damp conditions the carton and packing may become impregnated with moisture and the de-humidifying agent will lose its efficiency. The storage temperature range is -25° and +55°C.

The installation should be clean, dry and reasonably free from dust and excessive vibration. The site should preferably be well illuminated to facilitate inspection. The relay should be mounted in the cut-out or rack provided (Fig 3.) and wired according to Figure 2 or the relevant drawing or schematic diagram.

Commissioning preliminaries Inspection

Carefully examine the module and case to see that no damage has occurred during transit. Check that the relay serial number on the module, case and cover are identical, and that the model number and rating information are correct.

Check that the external wiring is correct to the relevant relay diagram or scheme diagram.

Particular attention should be paid to the correct wiring and value of any external resistors indicated on the wiring diagram/relay rating information.

Note that shorting switches shown on the relay diagram are fitted internally across the relevant case terminals and close when the module is withdrawn. It is essential that such switches are fitted across all CT circuits.

If a test block is provided, the connections should be checked to the scheme diagram, particularly that the supply connections are to the 'live' side of the test block.

Earthing

Ensure that the case earthing connection at the rear terminal block, is used to connect the relay to a local earth bar.

Insulation

The relay, and its associated wiring, should be insulation tested between:

- all electrically isolated circuits
- all circuits and earth

An electronic or brushless insulation tester should be used, having a dc voltage not exceeding 1000V. Accessible terminals of the same circuit should first be strapped together. Deliberate circuit earthing links, removed for the

tests, must subsequently be replaced.

It is only necessary to check the relay at the setting on which it is to be used. The relay must not be used at any setting other than that for which the setting has been calculated.

Commissioning Tests Test Equipment

- 1 Secondary injection test equipment capable of providing an AC voltage supply of up to at least 120% of the relay setting.
- 1 Test plug for use with test block if fitted.
- 3 Calibrated multimeters 0-10 amp AC 0 - 400 volt AC.
- 1 Set of primary injection testing equipment.

General

If the relay is wired through a test block it is recommended that all secondary injection tests should be carried out using this block.

Ensure that the main system current transformers are shorted before isolating the relay from the current transformers in preparation for secondary injection tests.

Danger

Do not open circuit the secondary circuit of a current transformer since the high voltage produced may be lethal and could damage insulation.

Secondary injection testing

Connect the circuit as shown in Figure 5 and ensure that the current transformer primary is open circuit and that if any earthing connections are fitted, they do not short out the primaries of any current transformers.

Increase the voltage until the relay just operates.

3 Pole high impedance differential relay 7VH83

Record the current at which the relay operates (A2). It should be approximately 5mA at setting.

Note also the voltage at which the relay operates which should correspond to the setting V_R of the relay with a tolerance of $\pm 10\%$. The total secondary current for operation will be given on ammeter A1. This test should be repeated for each pole of the relay.

Record the value at which the relay picks up and then reduce the voltage until it drops off. From these two values calculate the drop off/pick up value. It should be approximately 0,95.

Primary injection testing

It is essential that primary injection testing is carried out to prove the circuit is dead, isolated from the remainder of the system and that only those earth connections associated with the primary test equipment are in position.

Primary fault setting

The primary fault setting of any balanced scheme can be checked using the circuit shown in Figure 6. The primary current

is injected into each current transformer in turn and increased until the relay operates. The voltage at which the relay operates should be within $\pm 10\%$ of the relay setting voltage V_R . The primary current for operation and relay current should be noted.

For large machines the machine itself can be used to provide the fault current to check the primary fault setting as shown in Figure 8. The machine should be run up to speed with no excitation. The excitation should then be increased until the relays have all operated. The primary current, relay current and relay voltage should be noted as each relay operates.

Through fault stability

With any form of unbalanced protection it is necessary to check that the current transformers are correctly connected. For this purpose the circuit shown in Figure 7 may be used. During this test the relay is shorted out and the spill current through the relay circuit A2 is measured. The current is increased up to as near full load as possible and the spill current noted. The spill current should

be very low, only a few milliamps if the connections are correct. A high reading (twice the injected current, referred through the current transformer ratio) indicates that one of the current transformers polarity is reversed.

Injection should be carried out through each phase to neutral.

In the case of machine protection similar stability tests must be carried out by injecting into one and out of another current transformer connected on the same phase.

For large machines, the machine itself can be used to provide the fault current, but the short circuit must now be fitted as shown in Figure 9. The machine should be run up to normal speed and the excitation increased until the primary current is approximately full load, when the spill current should be checked.

All other types of balanced protection should be tested in a similar manner.

At the conclusion of the tests ensure that all connections are correctly restored and any shorting connections removed.

ADDENDUM		COMMISSIONING TEST RECORD		DATE	<input type="text"/>
HIGH STABILITY					
CIRCULATING CURRENT RELAY					
TYPE 7VH83					
STATION	<input type="text"/>	CIRCUIT	<input type="text"/>		
RELAY MODEL NO.	<input type="text"/>	SERIAL NO.	<input type="text"/>		
SETTING RANGE	<input type="text"/>	CT RATIO	<input type="text"/>		
SETTING VOLTAGE	<input type="text"/>	RELAY SETTING	<input type="text"/>		
		SHUNT RES.	<input type="text"/>		
		OHMS (if fitted)			
TYPE OF EXT. VARISTOR	<input type="text"/>	CALCULATED PRI.	<input type="text"/>		
		OP CURRENT			

3 Pole high impedance differential relay 7VH83

TEST RESULTS

Relay CT Shorting Switch

Secondary Voltage to operate relay

Phase	Total Current A1	Relay Current (A2)	P.U. Volts	D.O. Volts
A				
B				
C				

Drop off / Pick up ratio check

Table 5

Primary Current to operate relay

Phase	Primary Current A1	Relay Current A2	Relay Voltage
A			
B			
C			
N			

Table 6

Stability check by primary injection

Restricted Earth Fault

Phases A1	Primary Current A2	Spill Current
A - N		
B - N		
C - N		

Table 7

Circulating Current between two or more sets of current transformers

Phases A1	Primary Current A2	Spill Current
A1 -A2		
B1 - B2		
C1 -C2		

Table 8

Where more than two sets of current transformers are involved, injection should be carried out between set 1 and each other set in turn.

Maintenance

Periodic maintenance is not necessary. However, periodic inspection and test is recommended. This should be carried out every 12 months or more often if the relay is operated frequently or is

mounted in poor environmental conditions.
Repeat secondary injection tests to prove correct operation, making sure the circuit breaker trips when the relay operates.

3 Pole high impedance differential relay 7VH83

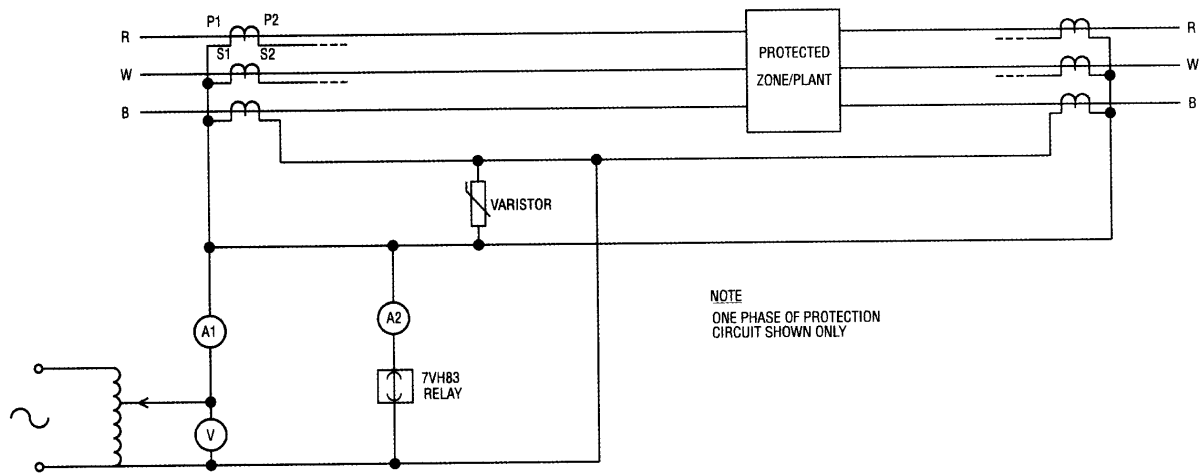


Fig 5. Secondary injection test

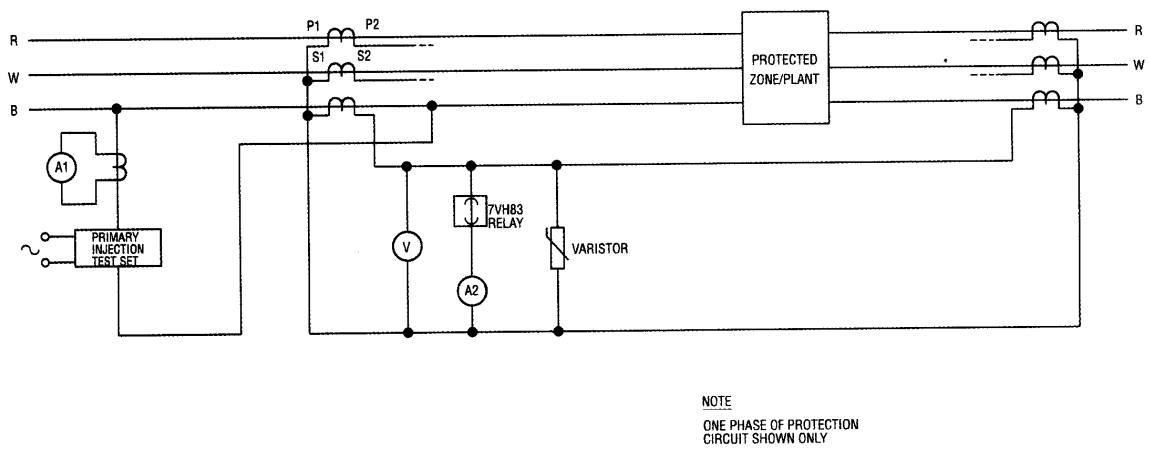
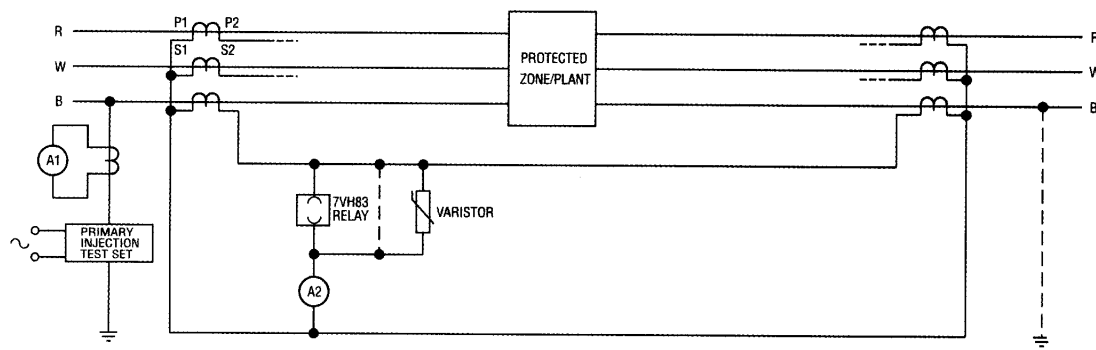


Fig 6. Primary fault setting test

3 Pole high impedance differential relay 7VH83



NOTE
ONE PHASE OF PROTECTION
CIRCUIT SHOWN ONLY

Fig 7. Primary fault setting test

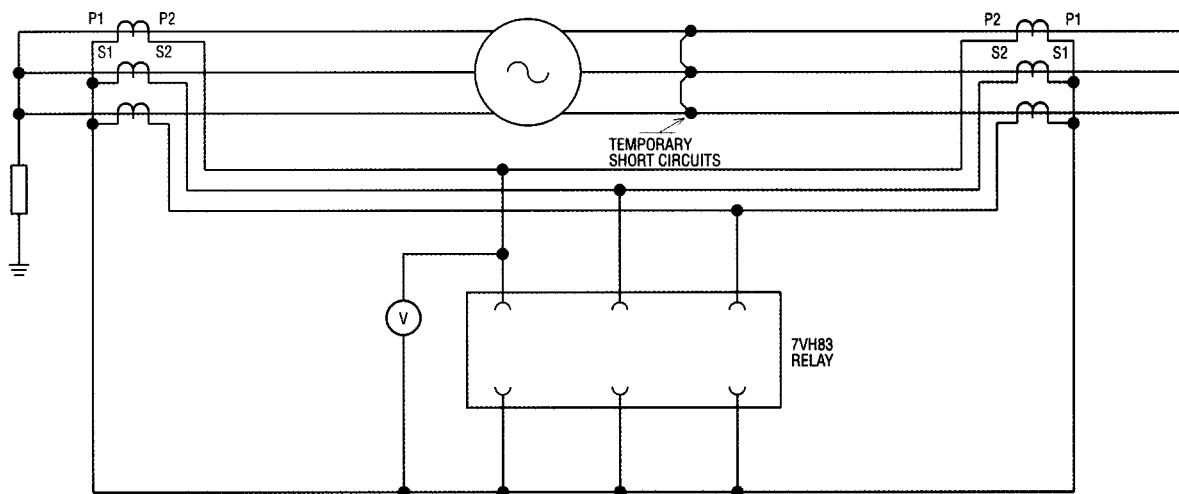


Fig 8. Through fault stability test

3 Pole high impedance differential relay 7VH83

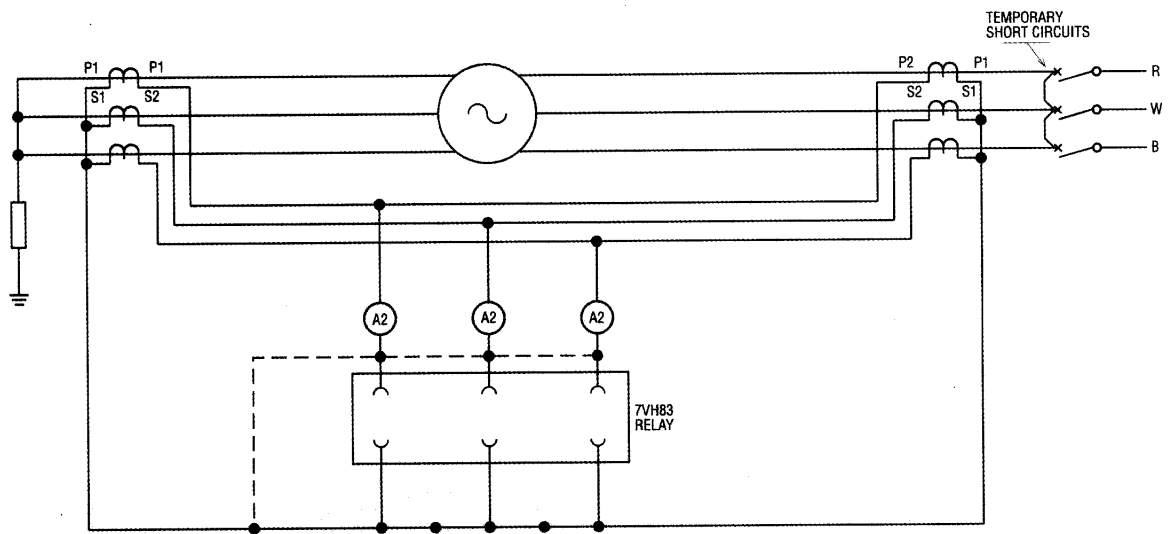


Fig 9. Primary fault setting test

The information contained in this publication is subject to change without prior notice.

Siemens Limited
P O Box 207 Isando 1600
South Africa
Telephone (011) 921-7000

Issued by Energy and Automation Group - Power Transmission and Distribution