

# SIEMENS

*Ingenuity for life*



## Reliable transmission of trip signal with GOOSE

# SIPROTEC 5 Application

Reliable transmission of trip signal with GOOSE

---

## SIPROTEC 5 Application

# Reliable transmission of trip signal with GOOSE

APN-032, Edition 1

## Content

1	Reliable transmission of trip signal with GOOSE .....	3
1.1	Introduction .....	3
1.2	General .....	3
1.3	Example .....	4
1.4	Realization .....	6
1.5	Logic diagram for the External Trip-Initiation Stage .....	9
1.6	Conclusion .....	9

# 1 Reliable transmission of trip signal with GOOSE

## 1.1 Introduction

In some substation configuration the trip signal to the circuit breaker has to be transferred over several hundreds of meters.

SIPROTEC 5 and IEC 61850 GOOSE (Generic Object Oriented Station Event) offers the possibility for a fast and secure trip signal transmission over long distances. Voltage drop along the line, undesired induction and higher risk of earth faults of the DC power supply can be avoided.

The application describes the fast and secure transmission of the trip signal with IEC 61850 GOOSE and the related DIGSI 5 settings.

## 1.2 General

The SIPROTEC 5 architecture is designed to represent all primary components as image with function groups in the DIGSI configuration (see fig 1).

The use of application templates (pre-tested standard configurations) in DIGSI 5 leads to fast and clearly engineering.

SIPROTEC 5 devices are equipped with high-performance communication interfaces. With IEC 61850 GOOSE messages time-critical signals can be transferred. Receivers of GOOSE messages can constantly monitor the reception of indications and measure values for a break of the connection; state of missing indications is automatically updated at the receiver, in order to attain a safe state. Therewith a continuous, high-performance supervision of GOOSE communication can be realized.

Through the flexible extendable communication modules a dedicated SUB net, separately from the station bus, for time-critical signals should be configured.

An uninterruptible ring redundancy can be achieved through activating the redundancy protocols HSR (High availability seamless redundancy) and PRP (Parallel Redundancy protocol) on the electrical and optical Ethernet modules.

# SIPROTEC 5 Application

## Reliable transmission of trip signal with GOOSE

### 1.3 Example

In case of transformer failure it is mandatory to trip circuit breaker on both sides. The related trip command is initiated from 7UT85 function group FG Transformator Diff. Instead with own trip contacts the trip command will be transferred with GOOSE to the related 7SJ85 device.

By using the IEC 61850 system configurator the trip command of 7UT8 Function Group Circuit Breaker Q Remote D03\_F87\_1/Q0\_Fern/XCBR1/TripOpnCmd will be connected with logical node (LN) of 7SJ85 FG UI 3p Function Ext. Trip J05\_F51\_1/VI3p1\_ExternalTrip/EXT\_PSCH1.

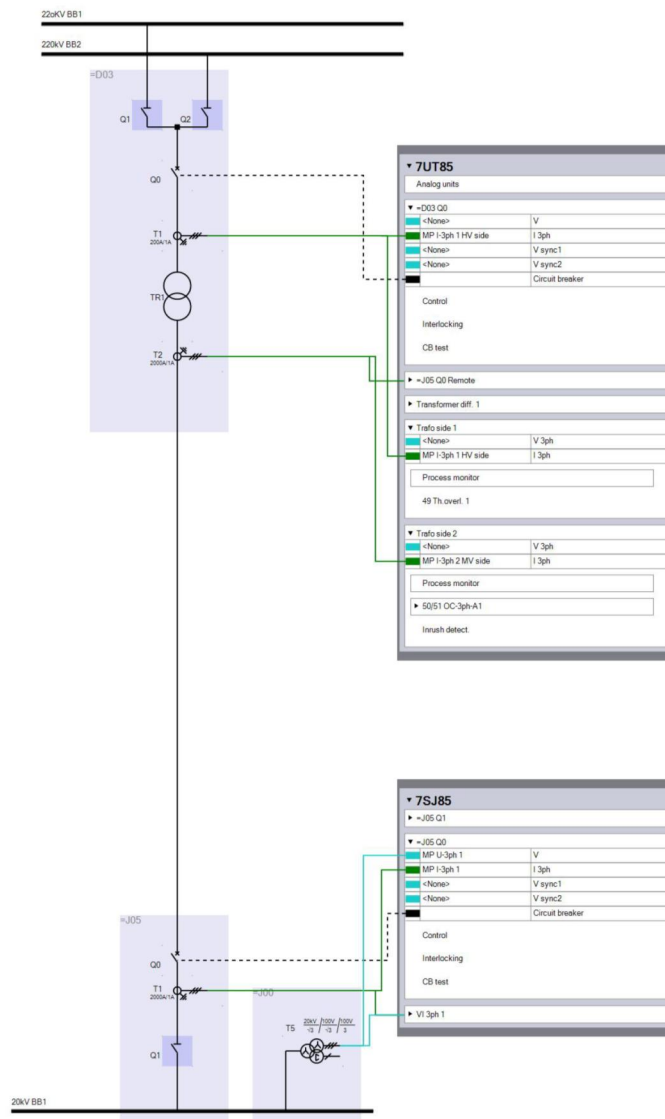


Figure 1: DIGSI 5 Single Line Diagram with the connection of the function groups to the primary components.

The function "External Trip" secures the controlled termination of the binary input signal External trip in the device structure, see chapter 1.5.

# SIPROTEC 5 Application

Reliable transmission of trip signal with GOOSE

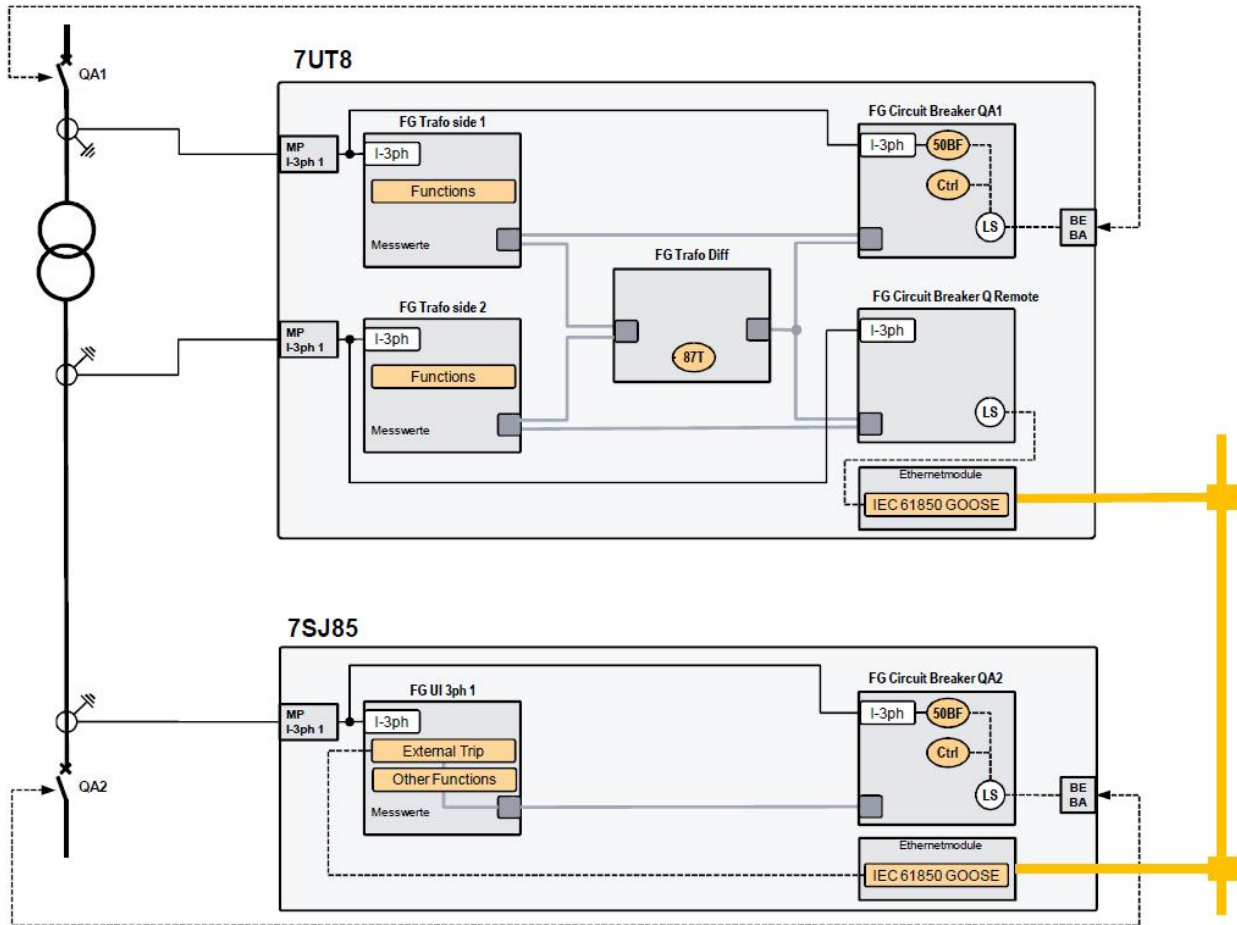


Figure 2: Schematic view with related function groups

# SIPROTEC 5 Application

## Reliable transmission of trip signal with GOOSE

### 1.4 Realization

#### 1.4.1 Adaption of the IEC 61850 structure in DIGSI 5

For better traceability of the GOOSE connection it is recommended to change the name of the logical device (LD) in the IEC 61859 structure of 7UT85 from CB2 (2<sup>nd</sup> circuit breaker) into QO\_Remote.

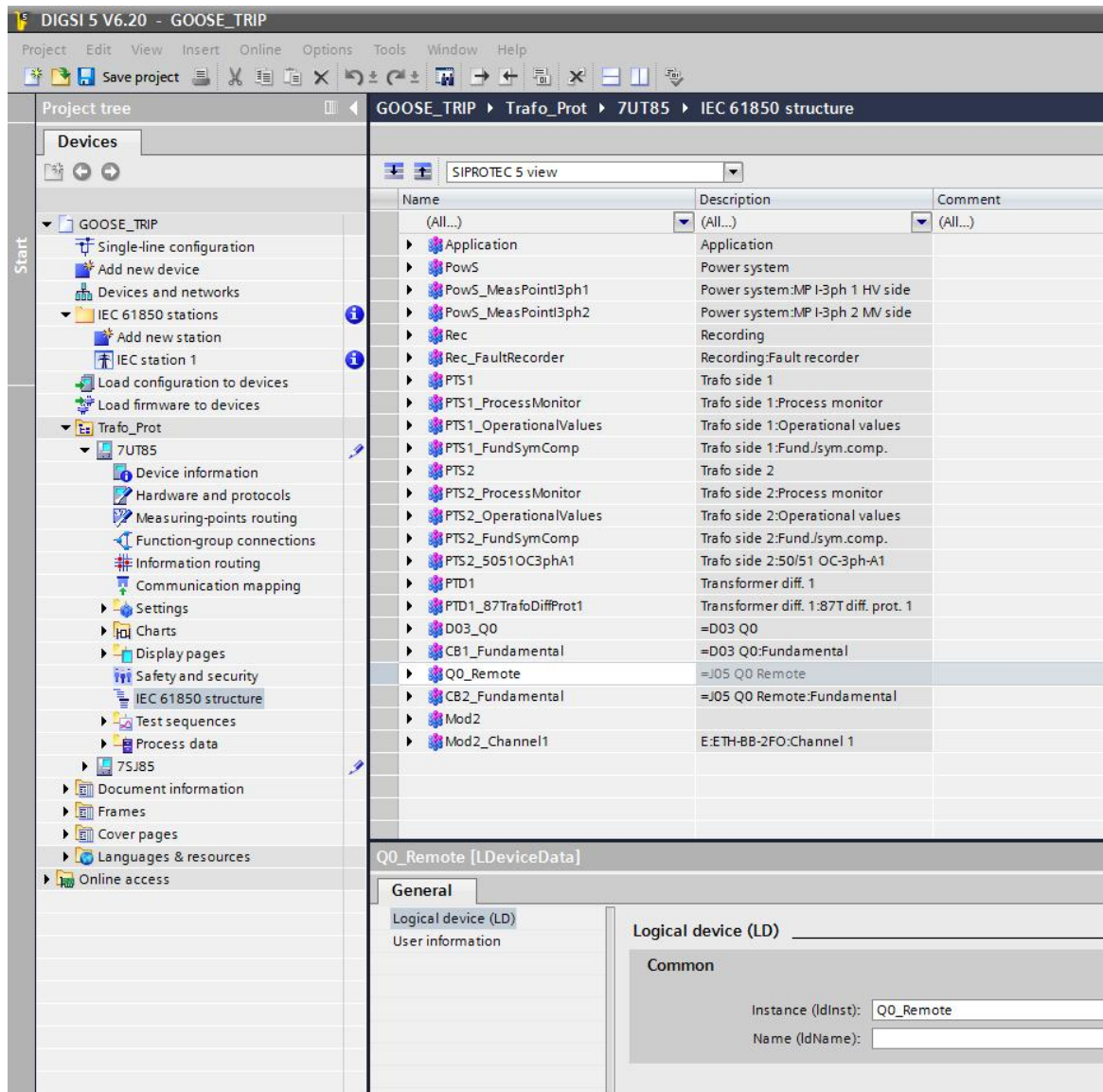


Figure 3: IEC 61850 Structure in SIPROTEC 5 view

### 1.4.2 Create GOOSE Connection in the IEC 61850 system configurator

Source:

Source	CDC	Description
GOOSE_trip		
GOOSE application		
D03_F87_1/D03_Q0/LLN0/DataSet (2/60)		
D03_F87_1/D03_Q0/XCBR1/TripOpnCmd	SPS	=D03 Q0/=D03 Q0/Trip/open cmd.
D03_F87_1/D03_Q0/XCBR1/TripOpnCmd/Status value	SPC	=D03 Q0/=D03 Q0/Trip/open cmd./Status value

Target:

Destination	Description
*	
*	
*	
J05_F51_1/VI3p1_ExternalTrip1/EXT_PSCH1	VI3p1_Ext 1/Stage 1

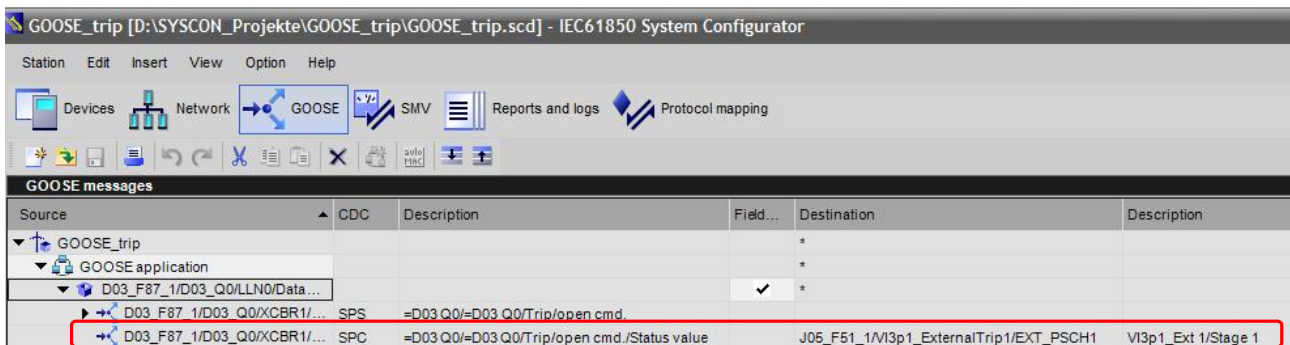


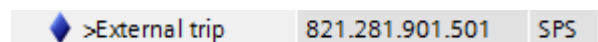
Figure 4: IEC 61850 System configurator

### 1.4.3 Information routing and CFC

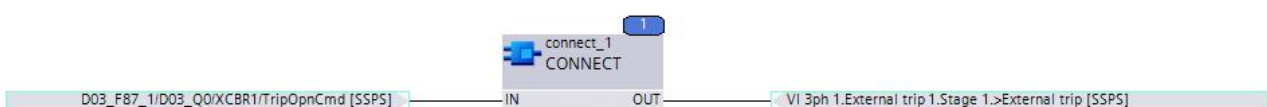
The GOOSE signal



Has to be connected with the following signal, see information matrix, Figure 5.



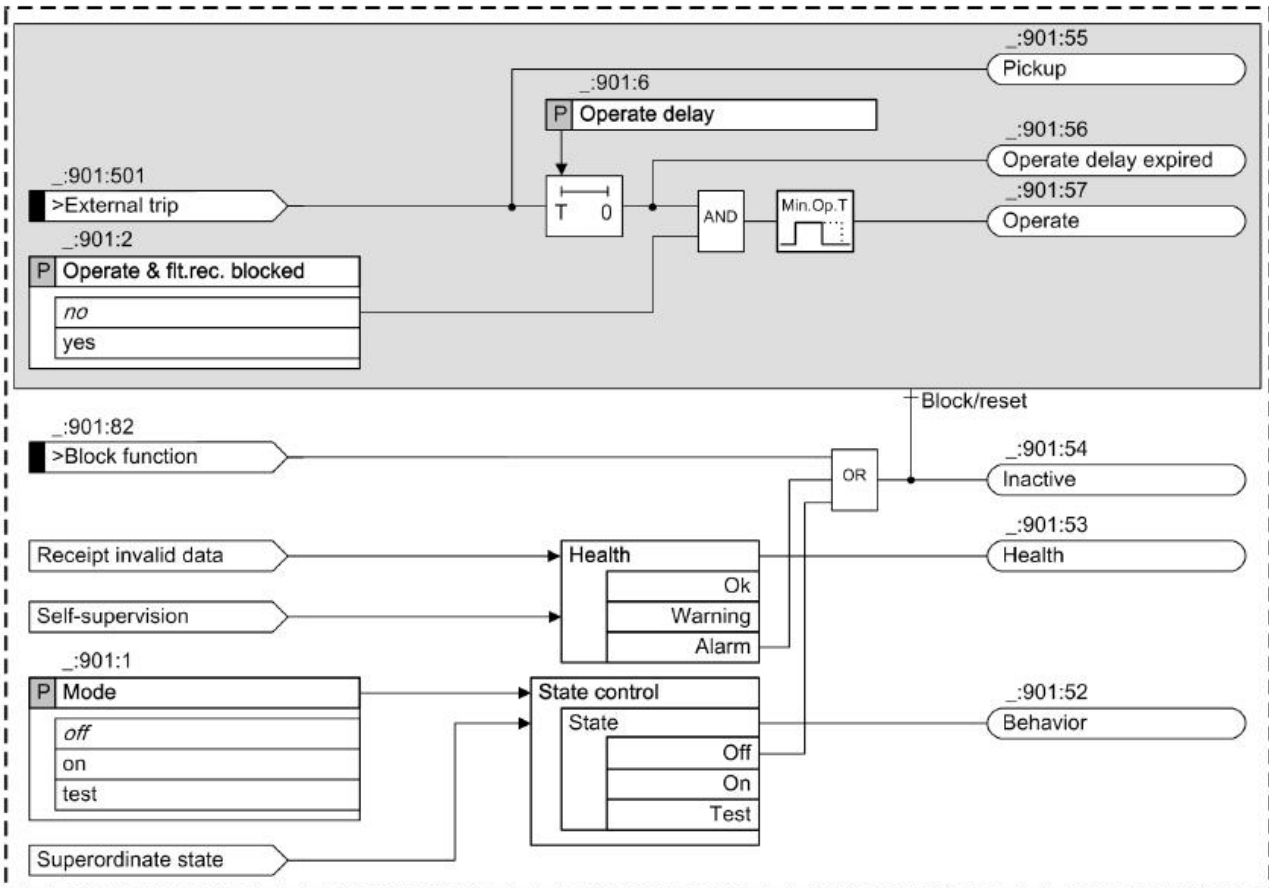
The chart CONNECT is required for this (fast-event triggered task).







### 1.5 Logic diagram for the External Trip-Initiation Stage



[totrip3p-070611-01.tif, 1, en\_US]

Figure 6-230 Logic Diagram for the External Trip-Initiation Stage

Further information is described in the different device manuals of SIPROTEC 5.

### 1.6 Conclusion

By consequent use of existing functions and function groups it is possible to retain with system architecture of SIPROTEC 5. That secures a high quality of the functionality.

The powerful communication interfaces of SIPROTEC 5 - IED's and IEC 61850 GOOSE offer the opportunity of fast and high quality transmission of time critical information over longer distances. Voltage drop along the line, undesired induction and higher risk of earth faults of the DC power supply can be avoided. Thus voltage drop along the line, undesired induction and higher risk of earth faults of the DC power supply can be avoided.

Additionally, it is possible to achieve uninterruptible ring-redundancy by activating HSR/PRP functionality.

Published by  
Siemens AG 2018  
Energy Management Division  
Digital Grid  
Automation Products  
Humboldtstr. 59  
90459 Nuremberg, Germany

[www.siemens.com/siprotec](http://www.siemens.com/siprotec)

For more information,  
please contact our  
Customer Support Center.

Tel.: +49 180 524 70 00

Fax: +49 180 524 24 71

(Charges depending on provider)

Email: [support.energy@siemens.com](mailto:support.energy@siemens.com)

© 2016 Siemens. Subject to changes and errors.  
The information given in this document only contains  
general descriptions and/or performance features which  
may not always specifically reflect those described, or  
which may undergo modification in the course of further  
development of the products. The requested performance  
features are binding only when they are expressly agreed  
upon in the concluded contract.

For all products using security features of OpenSSL, the  
following shall apply:  
This product includes software developed by the OpenSSL  
Project for use in the OpenSSL Toolkit.  
(<http://www.openssl.org/> )  
This product includes cryptographic software written by  
Eric Young (eay@cryptsoft.com )  
This product includes software written by Tim Hudson  
(tjh@cryptsoft.com)  
This product includes software developed by Bodo Moeller.