

Archib. SIPROTEC / YU / 7UM6 / 005 / 41  
 Date of print: 01.10.2002  
 File-Name: 000008

Copyright (C) Siemens AG, 2002. All Rights Reserved

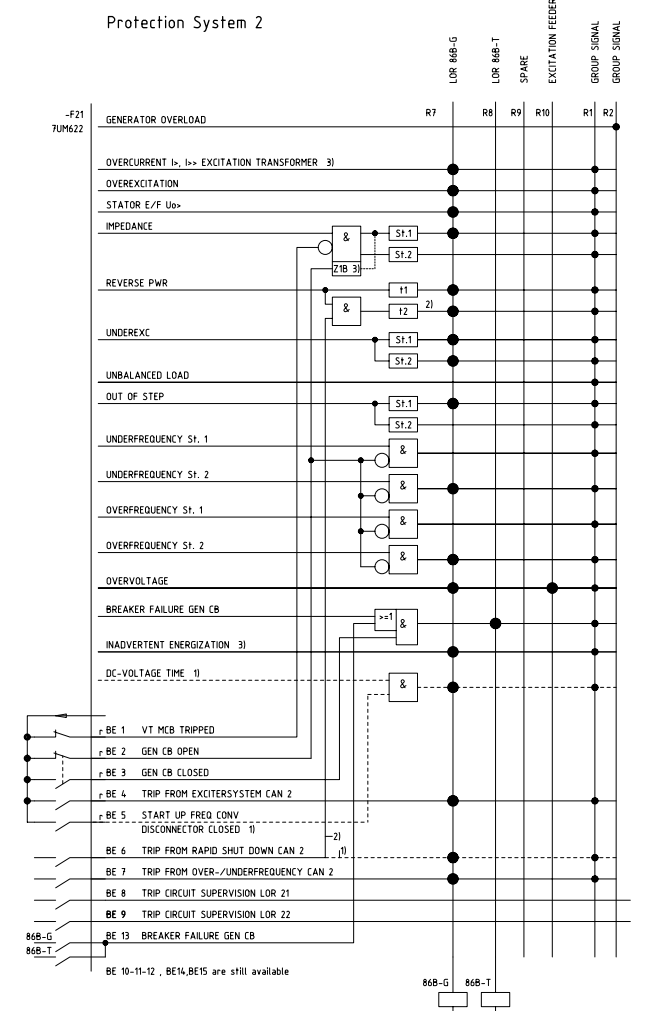
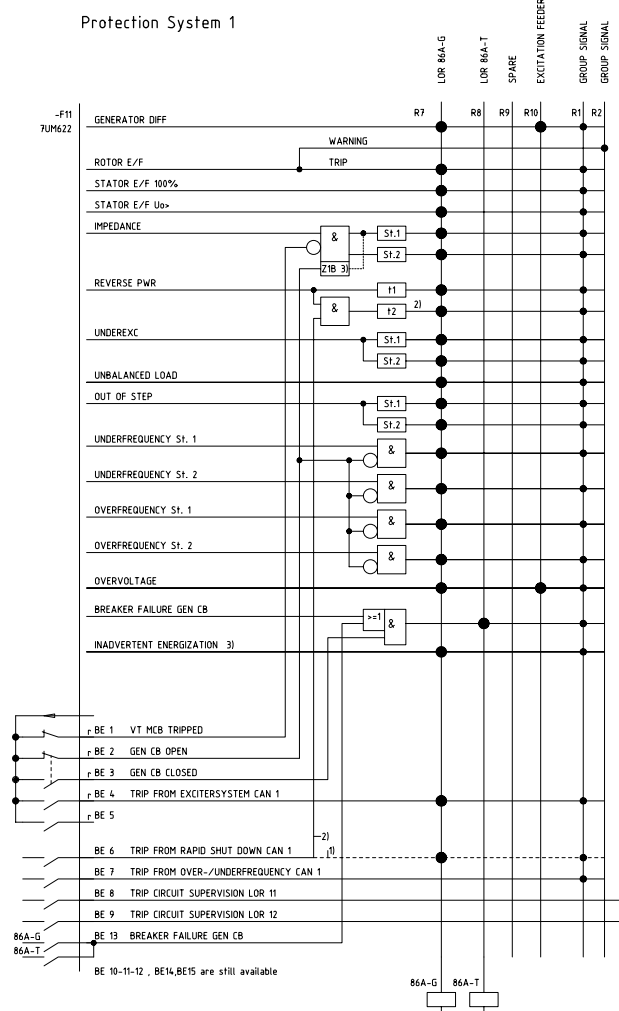
Project: LIBRARY 1: SIPROTEC  
 LIBRARY 2: XXXX  
 LIBRARY 3: XXXX  
 LIBRARY 4: XXXX  
 LIBRARY 5: XXXX  
 LIBRARY 6: XXXX  
 LIBRARY 7: XXXX  
 LIBRARY 8: XXXX  
 LIBRARY 9: XXXX  
 LIBRARY 10: XXXX  
 LIBRARY 11: XXXX  
 LIBRARY 12: XXXX  
 LIBRARY 13: XXXX  
 LIBRARY 14: XXXX  
 LIBRARY 15: XXXX  
 LIBRARY 16: XXXX  
 LIBRARY 17: XXXX  
 LIBRARY 18: XXXX  
 LIBRARY 19: XXXX  
 LIBRARY 20: XXXX  
 LIBRARY 21: XXXX  
 LIBRARY 22: XXXX  
 LIBRARY 23: XXXX  
 LIBRARY 24: XXXX  
 LIBRARY 25: XXXX  
 LIBRARY 26: XXXX  
 LIBRARY 27: XXXX  
 LIBRARY 28: XXXX  
 LIBRARY 29: XXXX  
 LIBRARY 30: XXXX  
 LIBRARY 31: XXXX  
 LIBRARY 32: XXXX  
 LIBRARY 33: XXXX  
 LIBRARY 34: XXXX  
 LIBRARY 35: XXXX  
 LIBRARY 36: XXXX  
 LIBRARY 37: XXXX  
 LIBRARY 38: XXXX  
 LIBRARY 39: XXXX  
 LIBRARY 40: XXXX  
 LIBRARY 41: XXXX  
 LIBRARY 42: XXXX  
 LIBRARY 43: XXXX  
 LIBRARY 44: XXXX  
 LIBRARY 45: XXXX  
 LIBRARY 46: XXXX  
 LIBRARY 47: XXXX  
 LIBRARY 48: XXXX  
 LIBRARY 49: XXXX  
 LIBRARY 50: XXXX  
 LIBRARY 51: XXXX  
 LIBRARY 52: XXXX  
 LIBRARY 53: XXXX  
 LIBRARY 54: XXXX  
 LIBRARY 55: XXXX  
 LIBRARY 56: XXXX  
 LIBRARY 57: XXXX  
 LIBRARY 58: XXXX  
 LIBRARY 59: XXXX  
 LIBRARY 60: XXXX  
 LIBRARY 61: XXXX  
 LIBRARY 62: XXXX  
 LIBRARY 63: XXXX  
 LIBRARY 64: XXXX  
 LIBRARY 65: XXXX  
 LIBRARY 66: XXXX  
 LIBRARY 67: XXXX  
 LIBRARY 68: XXXX  
 LIBRARY 69: XXXX  
 LIBRARY 70: XXXX  
 LIBRARY 71: XXXX  
 LIBRARY 72: XXXX  
 LIBRARY 73: XXXX  
 LIBRARY 74: XXXX  
 LIBRARY 75: XXXX  
 LIBRARY 76: XXXX  
 LIBRARY 77: XXXX  
 LIBRARY 78: XXXX  
 LIBRARY 79: XXXX  
 LIBRARY 80: XXXX  
 LIBRARY 81: XXXX  
 LIBRARY 82: XXXX  
 LIBRARY 83: XXXX  
 LIBRARY 84: XXXX  
 LIBRARY 85: XXXX  
 LIBRARY 86: XXXX  
 LIBRARY 87: XXXX  
 LIBRARY 88: XXXX  
 LIBRARY 89: XXXX  
 LIBRARY 90: XXXX  
 LIBRARY 91: XXXX  
 LIBRARY 92: XXXX  
 LIBRARY 93: XXXX  
 LIBRARY 94: XXXX  
 LIBRARY 95: XXXX  
 LIBRARY 96: XXXX  
 LIBRARY 97: XXXX  
 LIBRARY 98: XXXX  
 LIBRARY 99: XXXX  
 LIBRARY 100: XXXX

**-F21 7UM622** 1/1

1 L1	OVERLOAD	49
1 L2	OVERCURRENT I <sub>1</sub> ... EXC TRF	5150 3)
1 EE1	OVEREXCITATION	24
1 EE2	STATOR E/F U <sub>0&gt;</sub>	59N
1 L1	IMPEDANCE	21
1 L2	REVERSE PWR	32R
1 EE2	UNDEREXC	40
1 L1	UNBALANCED LOAD	46
1 L2	OUT OF STEP	78
1 L1	UNDERFREQUENCY S1. 1	81-1
1 L2	UNDERFREQUENCY S1. 2	81-2
1 U <sub>E</sub>	OVERFREQUENCY S1. 1	81-1
1 U <sub>E</sub>	OVERFREQUENCY S1. 2	81-2
1 TD <sub>1</sub>	OVERVOLTAGE	59
1 TD <sub>2</sub>	BREAKER FAILURE	BF
1 TD <sub>3</sub>	INADVERTENT ENERGIZATION	50/27 3)
1 TD <sub>4</sub>	FUSE FAILURE	60FL 3)
1 U <sub>Ext</sub>	DC-VOLTAGE TIME	67G 1)

**-F11 7UM622** 1/1

1 L1	GENERATOR DIFF	87G
1 L2	ROTOR E/F	64R
1 EE1	STATOR E/F 100%	64G
1 EE2	STATOR E/F U <sub>0&gt;</sub>	59N
1 L1	IMPEDANCE	21
1 L2	REVERSE PWR	32R
1 EE2	UNDEREXC	40
1 L1	UNBALANCED LOAD	46
1 L2	OUT OF STEP	78
1 U <sub>E</sub>	UNDERFREQUENCY S1. 1	81-1
1 U <sub>E</sub>	UNDERFREQUENCY S1. 2	81-2
1 U <sub>E</sub>	OVERFREQUENCY S1. 1	81-1
1 U <sub>E</sub>	OVERFREQUENCY S1. 2	81-2
1 TD <sub>1</sub>	OVERVOLTAGE	59
1 TD <sub>2</sub>	BREAKER FAILURE	BF
1 TD <sub>3</sub>	INADVERTENT ENERGIZATION	50/27 3)
1 TD <sub>4</sub>	FUSE FAILURE	60FL 3)



**EXTERNAL INCOUPLINGS**

TRIP FROM EXCITERSYSTEM CAN 1  
TRIP FROM EXCITERSYSTEM CAN 2

**EXTERNAL INCOUPLINGS**

GT TRIP SYSTEM CAN 1  
GT TRIP SYSTEM CAN 2  
OVER-/UNDERFREQUENCY CAN 1  
OVER-/UNDERFREQUENCY CAN 2

**Legende:**

1) GT with SFC  
2) ST  
3) if required  
4) u like Gen CT [min: U(GT CT) / 8 ]  
r rooted

**Large\_Unit\_3.pdf**

SIPROTEC 4		7UM6		005	
ECONOPAC		Date	02-10-24	GENERATOR PROTECTION	
		Drawn	Donhauser		
		Appr.	N.Mueller		
		Norm	Dr. Herrmann		
		Siemens AG		Single line diagram	
		(1)E50414-L0...-S100		Sheet 1-	
		Orig./Repl.f./Repl.by		1 SH	
Rev.	Remarks	Date	Name		