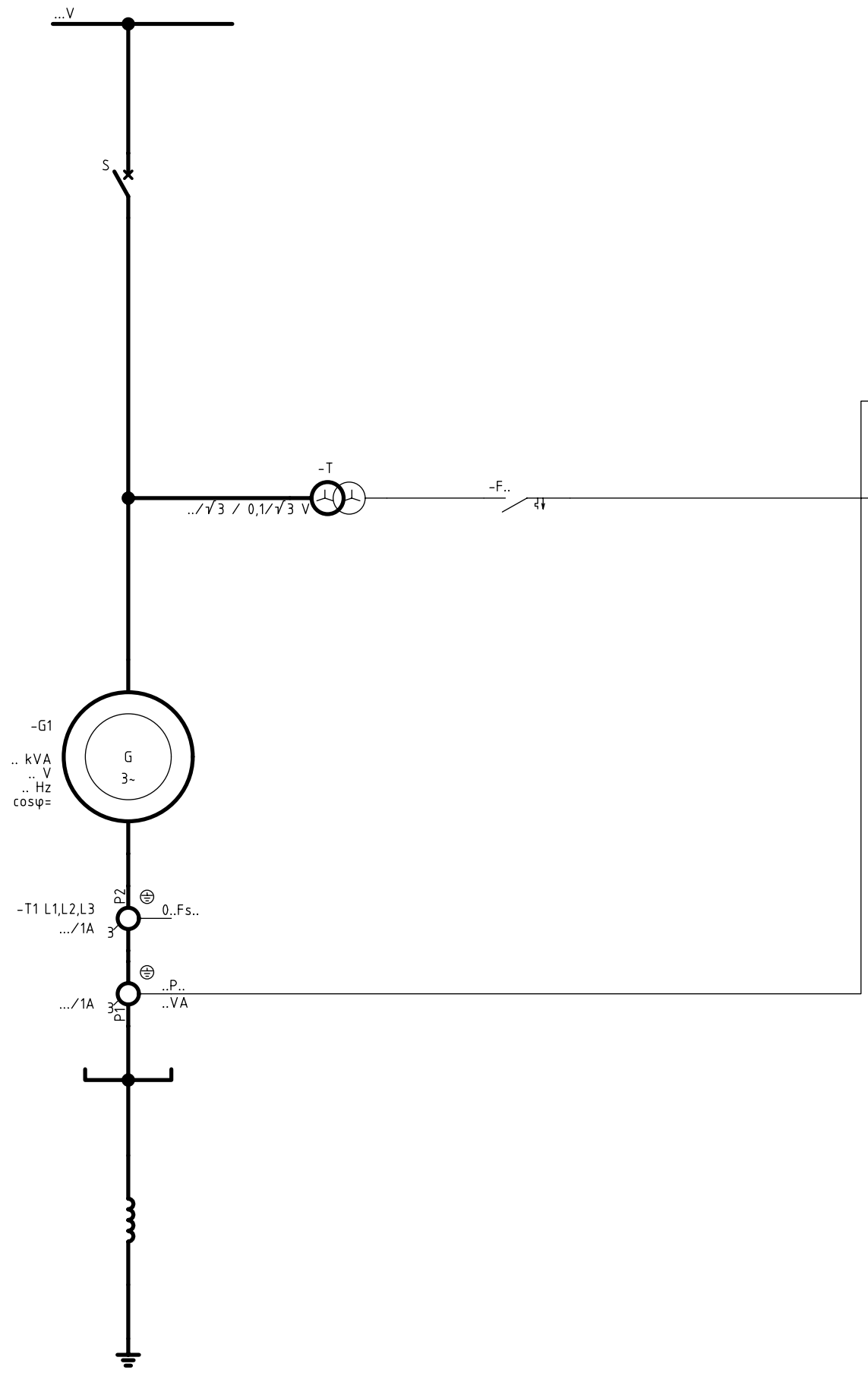


Archiv: SIPROTEC / YU / 7UM61 / 011 /
Blank form : FB5TP_R1
Date of print : 14.11.2002
Time of print : 11:22 h
File-No.: 000099

Copyright (C) Siemens AG 2002 All Rights Reserved

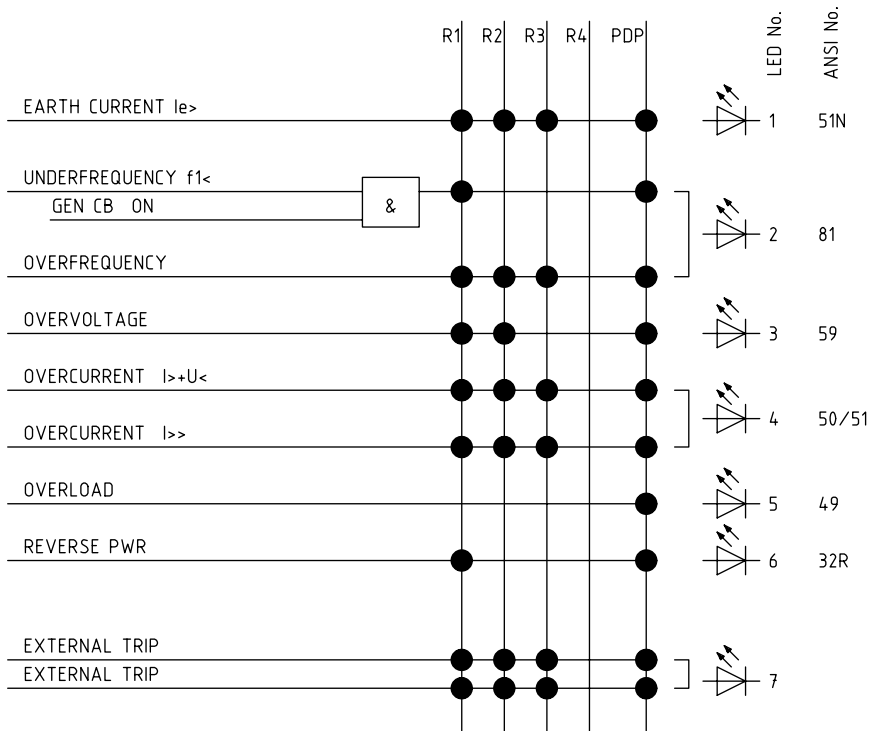
Project: angebbas
SYMBOL LIBRARY 1: EVSBasis
SYMBOL LIBRARY 2: xxxxx
SYMBOL LIBRARY 3: xxxxx
SYMBOL LIBRARY 4: xxxxx
ELCAD-VERSION: 5.7x
TRANSLATE FILE A:xxxxx
TRANSLATE FILE B:xxxxx
TRANSLATE FILE C:EVSBasFB.ce
TRANSLATE FILE D:EVSBasGT.de



- R1 GEN CB
- R2 RAPID SHUT DOWN
- R3 EXCITATION
- R4 SPARE
- PDP SIGNALLINGS

-F11 7UM611-A (Basic)		
J	L1 L2 L3	EARTH CURRENT $I_{e>}$ 51N
J	EE	UNDERFREQUENCY 81
U	L1 L2 L3 N	OVERFREQUENCY 81
U	E	OVERVOLTAGE 59
		OVERCURRENT $I_{>+U<}$ 51
		OVERCURRENT $I_{>>}$ 50/51
		OVERLOAD 49
		REVERSE PWR 32R

-F11
7UM611



7UM61_LV_1.pdf

Date	02-10-24	SIPROTEC 4	GENERATOR PROTECTION	YU	SIPROTEC	011
Drawn	Donhauser	Busbar connected Low Voltage Generator	Siemens AG	U3241-P-U324-.....	7UM61	
Appr.	N.Mueller					
Rev.	Remarks	Date	Name	Norm	Dr. Herrmann	Orig./Repl.f./Repl.by
1						
				Single line diagram		(3)E50414-L0...-S100
						Sheet 1-
						1 Sh