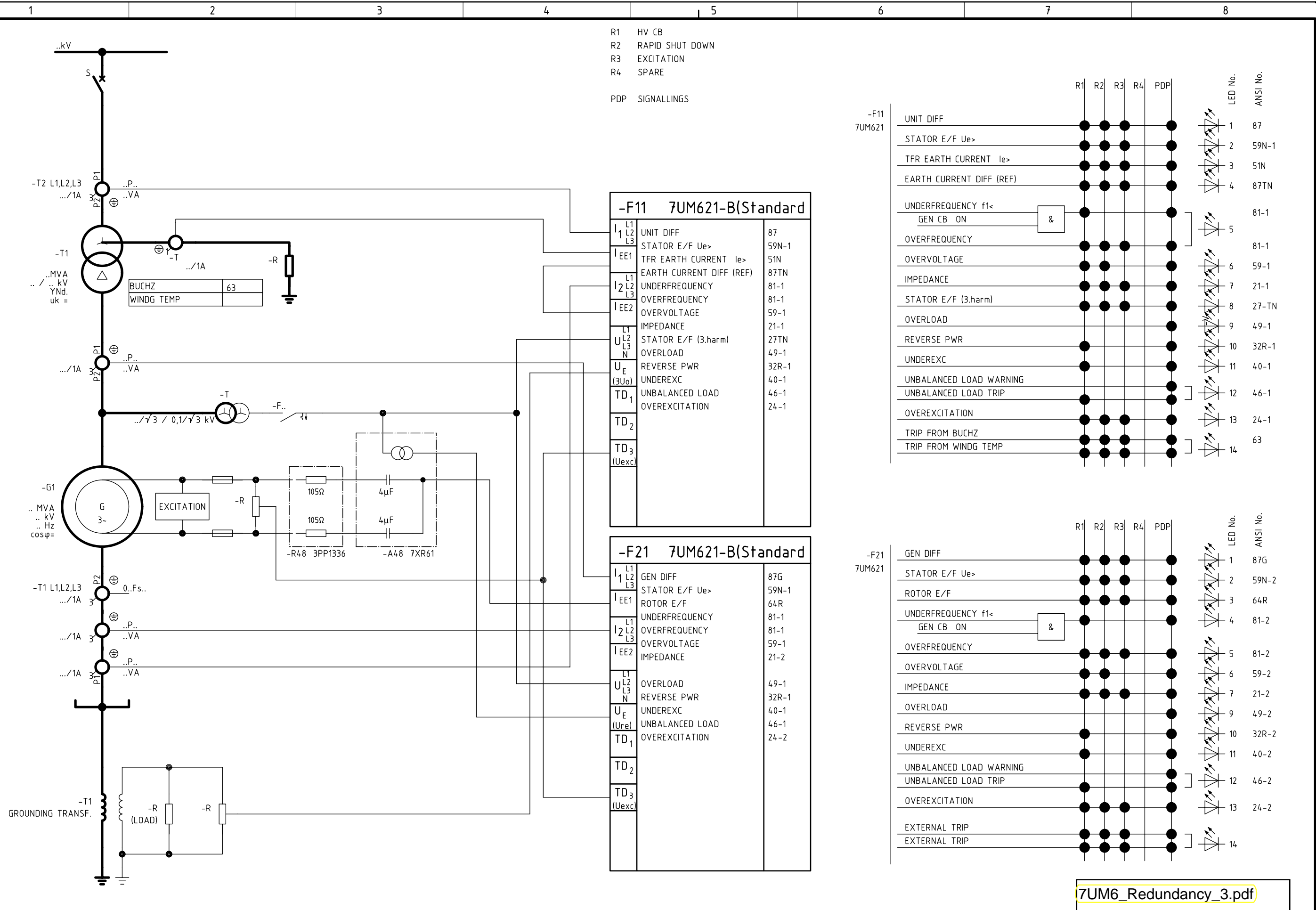


Archiv: SIPROTEC / YU / 7UM62,62 / 044 /  
Blank form: FBSTP-R1  
Date of print: 14.11.2002  
Time of print: 11:27 h  
File-No.: 000109

Copyright (C) Siemens AG 2002 All Rights Reserved

Project: angebbas  
SYMBOL LIBRARY 1: EVSBasis  
SYMBOL LIBRARY 2: xxxxx  
SYMBOL LIBRARY 3: xxxxx  
SYMBOL LIBRARY 4: xxxxx

ELCAD-VERSION: 5.7x  
TRANSLATE FILE A:xxxxx  
TRANSLATE FILE B:xxxxx  
TRANSLATE FILE C:EVSBasFB.ce  
TRANSLATE FILE D:EVSBasGT.de



- R1 HV CB
- R2 RAPID SHUT DOWN
- R3 EXCITATION
- R4 SPARE
- PDP SIGNALLINGS

-F11 7UM621-B(Standard)		
I1 L1	UNIT DIFF	87
I1 L2	STATOR E/F Ue>	59N-1
I1 L3	TFR EARTH CURRENT Ie>	51N
IEE1	EARTH CURRENT DIFF (REF)	87TN
I2 L1	UNDERFREQUENCY	81-1
I2 L2	OVERFREQUENCY	81-1
I2 L3	OVERVOLTAGE	59-1
IEE2	IMPEDANCE	21-1
L1	STATOR E/F (3.harm)	27TN
L2	OVERLOAD	49-1
L3	REVERSE PWR	32R-1
N	UNDEREXC	40-1
UE (3Uo)	UNBALANCED LOAD	46-1
TD1	OVEREXCITATION	24-1
TD2		
TD3 (Uexc)		

-F21 7UM621-B(Standard)		
I1 L1	GEN DIFF	87G
I1 L2	STATOR E/F Ue>	59N-1
I1 L3	ROTOR E/F	64R
IEE1	UNDERFREQUENCY	81-1
I2 L1	OVERFREQUENCY	81-1
I2 L2	OVERVOLTAGE	59-1
I2 L3	IMPEDANCE	21-2
IEE2	OVERLOAD	49-1
L1	REVERSE PWR	32R-1
L2	UNDEREXC	40-1
L3	UNBALANCED LOAD	46-1
N	OVEREXCITATION	24-2
UE (Ure)		
TD1		
TD2		
TD3 (Uexc)		

	R1	R2	R3	R4	PDP	LED No.	ANSI No.
-F11 7UM621							
UNIT DIFF	●	●	●	●	●	1	87
STATOR E/F Ue>	●	●	●	●	●	2	59N-1
TFR EARTH CURRENT Ie>	●	●	●	●	●	3	51N
EARTH CURRENT DIFF (REF)	●	●	●	●	●	4	87TN
UNDERFREQUENCY f1< GEN CB ON	●	●	●	●	●	5	81-1
OVERFREQUENCY	●	●	●	●	●	6	81-1
OVERVOLTAGE	●	●	●	●	●	7	59-1
IMPEDANCE	●	●	●	●	●	8	21-1
STATOR E/F (3.harm)	●	●	●	●	●	9	27-TN
OVERLOAD	●	●	●	●	●	10	49-1
REVERSE PWR	●	●	●	●	●	11	32R-1
UNDEREXC	●	●	●	●	●	12	40-1
UNBALANCED LOAD WARNING	●	●	●	●	●	13	46-1
UNBALANCED LOAD TRIP	●	●	●	●	●	14	24-1
OVEREXCITATION	●	●	●	●	●		63
TRIP FROM BUCHZ	●	●	●	●	●		
TRIP FROM WINDG TEMP	●	●	●	●	●		

	R1	R2	R3	R4	PDP	LED No.	ANSI No.
-F21 7UM621							
GEN DIFF	●	●	●	●	●	1	87G
STATOR E/F Ue>	●	●	●	●	●	2	59N-2
ROTOR E/F	●	●	●	●	●	3	64R
UNDERFREQUENCY f1< GEN CB ON	●	●	●	●	●	4	81-2
OVERFREQUENCY	●	●	●	●	●	5	81-2
OVERVOLTAGE	●	●	●	●	●	6	59-2
IMPEDANCE	●	●	●	●	●	7	21-2
OVERLOAD	●	●	●	●	●	8	49-2
REVERSE PWR	●	●	●	●	●	9	32R-2
UNDEREXC	●	●	●	●	●	10	40-2
UNBALANCED LOAD WARNING	●	●	●	●	●	11	46-2
UNBALANCED LOAD TRIP	●	●	●	●	●	12	24-2
OVEREXCITATION	●	●	●	●	●	13	
EXTERNAL TRIP	●	●	●	●	●	14	
EXTERNAL TRIP	●	●	●	●	●		

7UM6\_Redundancy\_3.pdf

Date	02-10-24	SIPROTEC 4	GENERATOR PROTECTION	YU	SIPROTEC	044
Drawn	Donhauser	Unit connected Generator (ca. 20 MVA)	Siemens AG	U3241-P-U324-.....	7UM62,62	
Appr.	N.Mueller	with Grounding Transformer		(3)E50414-L0...-S100		Sheet 1-
Rev.	Remarks	Date	Name	Norm	Dr.Herrmann	Orig./Repl.f./Repl.by
1						