

SIEMENS

ACP 1703 Ax 1703

CM-0843

Bus Interface Ax-PE 4x USB



Bus interface Ax 1703 peripheral bus

- 2 RJ45 connectors to access the TTL-level Ax 1703 peripheral bus provided by a (redundant) higher-level basic system element
- 4 USB connectors for providing the electrical Ax 1703 peripheral bus to PE-6400
- Transmission rate 16 MBit/s
- Up to 4 CM-0843 can be attached side by side
- RJ45 patch cable and USB cable can be used (each up to 3m long)
- Power is supplied by PE-6400 via USB cable

Application

CM-0843 is used to connect

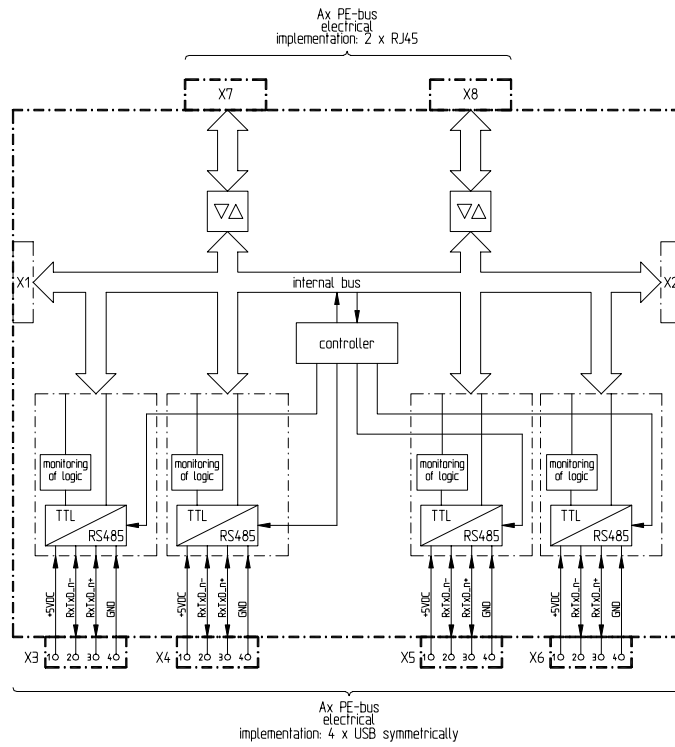
- up to 4 peripheral control modules
 - PE-6400 (with its belonging I/O modules)
- by means of USB connection cables (each with a maximum length of 3m)
to a

- basic system element, based on
 - CP-2010
 - CP-2012
 - CP-6003
- by means of RJ45 patch cables (each with a maximum length of 3m)

Features

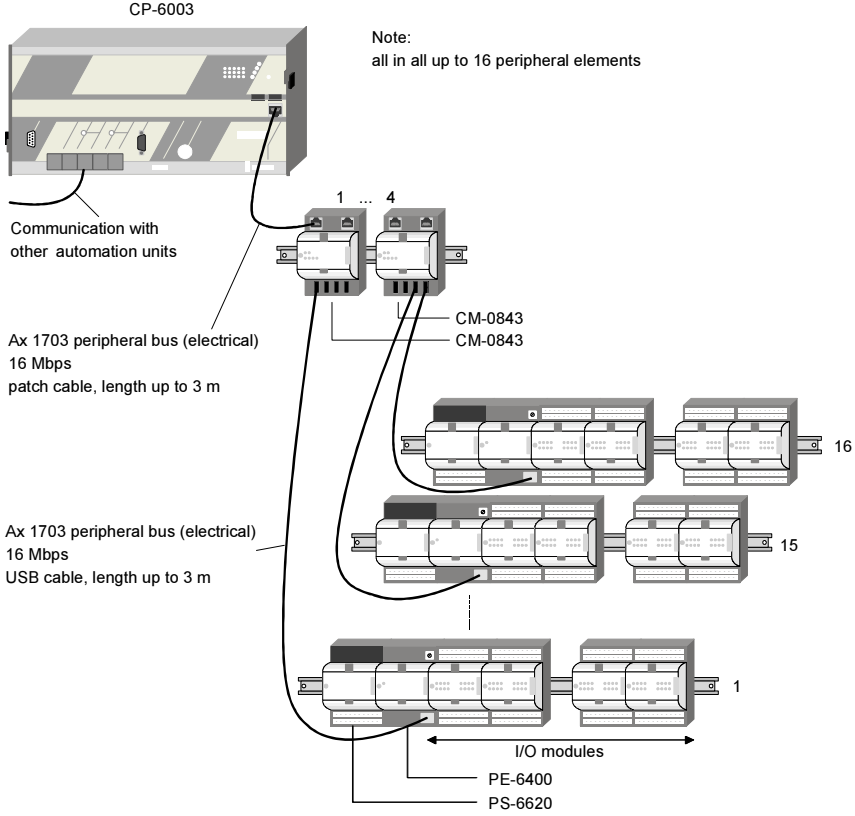
- up to 4 CM-0843 can be attached side by side
- all DIN rails of all CM-0843 and all PE-6400 must have the same ground potential
- supports redundant basic system elements

Block Diagram

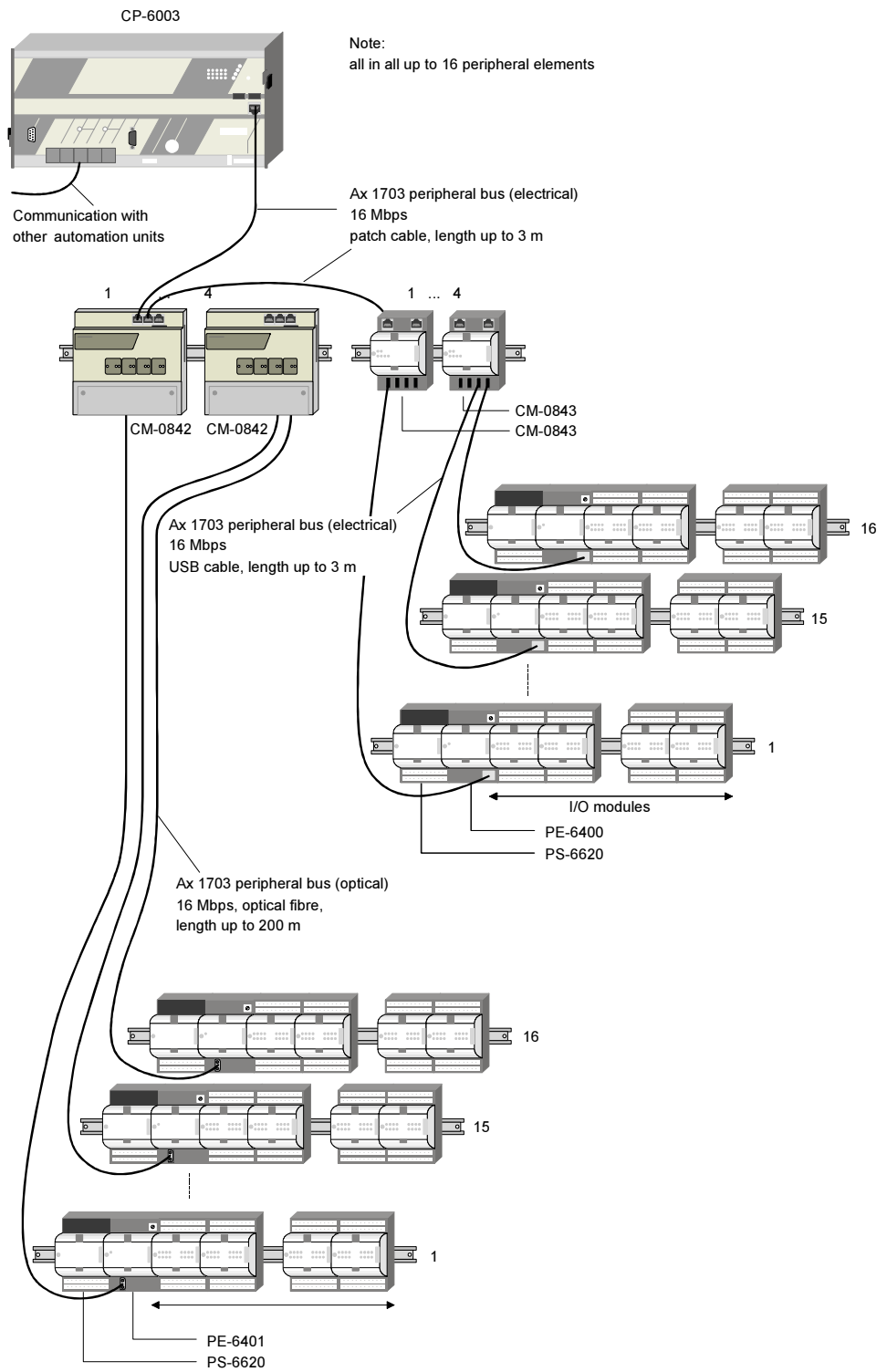


Configuration (Examples)

16 Peripheral Elements TM 1703 ACP, electrically connected



16 Peripheral Elements TM 1703 ACP, electrically and optically connected



Technical Specification

Interfaces	
2 interfaces to the BSE (Ax 1703 peripheral bus, electrical, full duplex) (X7, X8)	<ul style="list-style-type: none"> • TTL • Transmission rate 16Mbps • Securing of data, hamming distance D=4 • For connecting patch cables (RJ45 connector), 3m maximum length
4 interfaces to peripheral control modules (Ax 1703 peripheral bus, electrical, half duplex) (X3, X4, X5, X6)	<ul style="list-style-type: none"> • RS-485 balanced interface • Transmission rate 16Mbps • Securing of data, hamming distance D=4 • For connecting USB cables (USB / A series, 4-pin), 3m maximum length
Power Supply	
Operating voltage	3.5 .. 5.25 VDC Power consumption per interface (X3, X4, X5, X6): <ul style="list-style-type: none"> • 1 interface used: typ. 650 mW per interface • 2 interfaces used: typ. 460 mW per interface • 3 interfaces used: typ. 350 mW per interface • 4 interfaces used: typ. 300 mW per interface The voltage is picked off at the Ax 1703 peripheral bus at the interfaces (X3, X4, X5, X6)
Mechanics and Connectors	
Ax 1703 peripheral bus to the BSE (X7, X8)	RJ45
Ax 1703 peripheral bus to peripheral control modules (X3, X4, X5, X6)	USB / A series, 4-pin
Dimensions	131 x 63 x 73 mm (H x W x D, dimensions w/o DIN rail)
Weight	Approx. 150 g

Literature

Folder TM 1703 ACP	MC6-002-2
Systemdatenblatt TM 1703 ACP	MC6-006-2