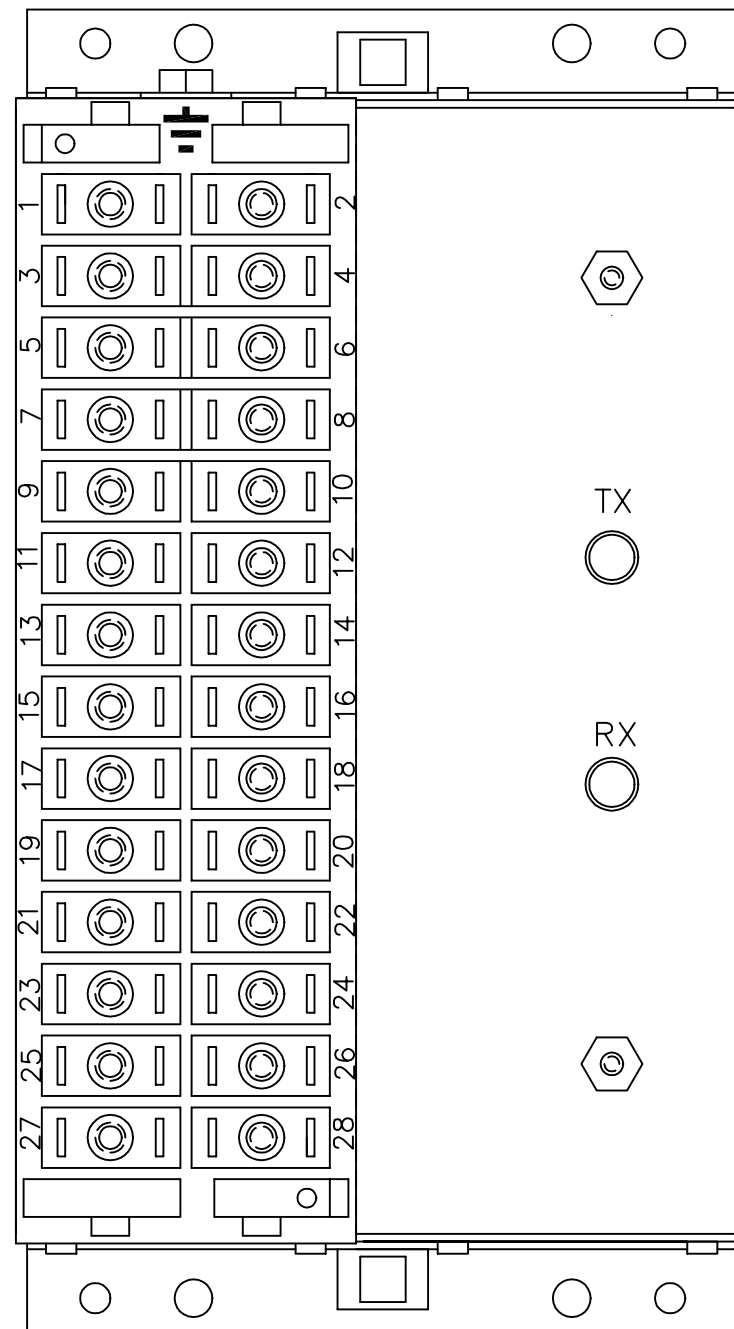
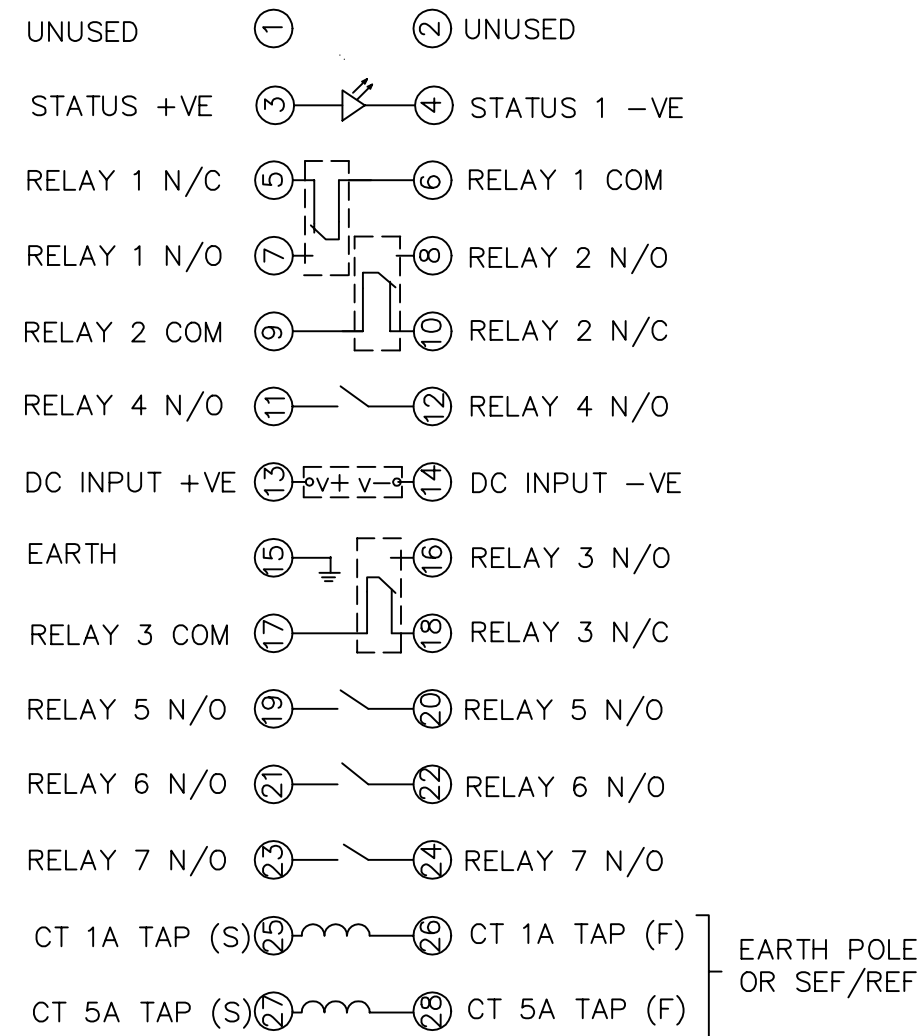


IF IN DOUBT ASK  
DO NOT SCALE

| PROTECTION TYPE    | SCHEMATIC DIAGRAM |
|--------------------|-------------------|
| SINGLE PHASE/EARTH | 2434W10012 (A3)   |
| SINGLE PHASE/SEF   | 2434W10013 (A3)   |



BOX VIEWED FROM REAR



- NOTES
- FOR R4 BOX ASSY SEE 2434H10004 (A1)
  - TERMINALS RECOMMENDED ARE PRE INSULATED & MUST BE CRIMPED USING APPROVED TOOLING. AMP PIDG OR PLASTI GRIP FUNNEL ENTRY (RING TONGUE) FOR M4 FIXING STUD.
- | SUPPLIER | AMP    | CABLE SIZE     |
|----------|--------|----------------|
| AMP      | 342103 | 0.25-1.6 SQ MM |
| AMP      | 342143 | 1.0-2.6 SQ MM. |
- OR ANY OTHER MANUFACTURERS EQUIVALENT TERMINAL.
- FOR OUTLINE & DRILLING DRG SEE 2434X10001 (A4).
  - PROTECTIVE CAPS TAKEN FROM FIBRE OPTIC CONNECTORS MAY BE RETAINED ON COMMS INTERFACE FIXING NUTS.

**NOT SUBJECT TO UPDATE  
ONCE COPIED / PRINTED  
OR DOWNLOADED**

MATERIAL:

Dimensions in millimetres ; Surface texture in micrometres.  
Machine where marked ✓  
For explanation of dimensions, tolerances, notes etc. see B.S.308.  
Limit on untoleranced unmachined dimensions ± \_\_\_\_\_  
Limits on untoleranced machined dimensions to B.S.4500;  
i.e. up to 6±0.1; over 30 to 120±0.3; over 315±0.8;  
over 6 to 30±0.2; over 120 to 315±0.5;  
General unmachined angular tolerance ± \_\_\_\_\_

Finish: \_\_\_\_\_  
Treatment: \_\_\_\_\_

Title:  
TERMINAL IDENTIFICATION & RELAY WIRING DIAGRAM  
SINGLE POLE DCD RELAY (R4 CASE)

**Reyrolle Protection  
Hebburn.**

Original Scale:  
1:1

First used on: \_\_\_\_\_  
Similar Articles: \_\_\_\_\_  
Supersedes: \_\_\_\_\_  
Drg. No. **2434W20002**

|   |         |              |
|---|---------|--------------|
| 2 | 28/4/97 | MN434/81     |
| 1 | 28/8/96 | CHANGE NOTED |

Copyright © Reyrolle Ltd.