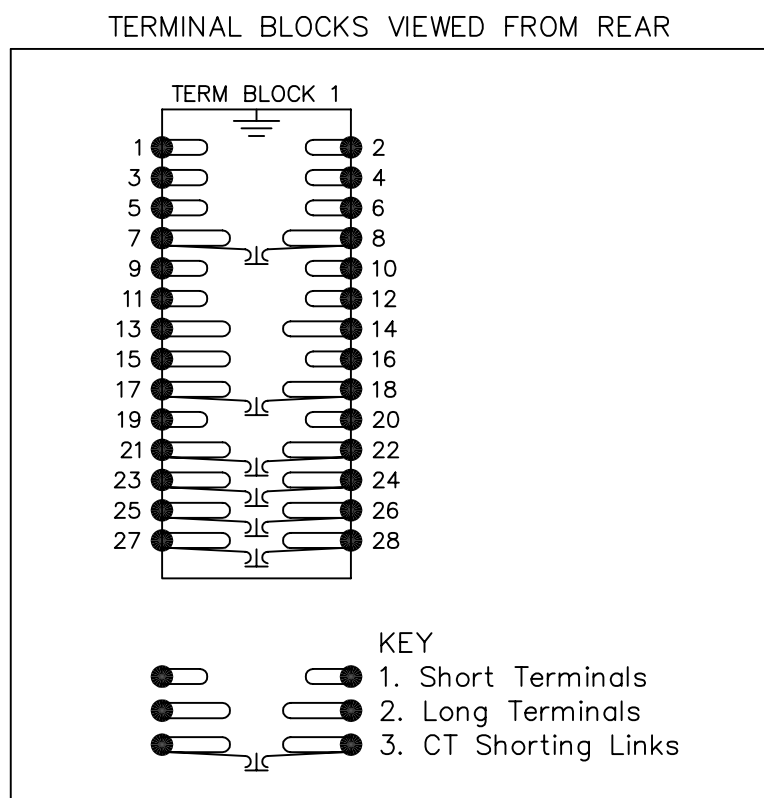
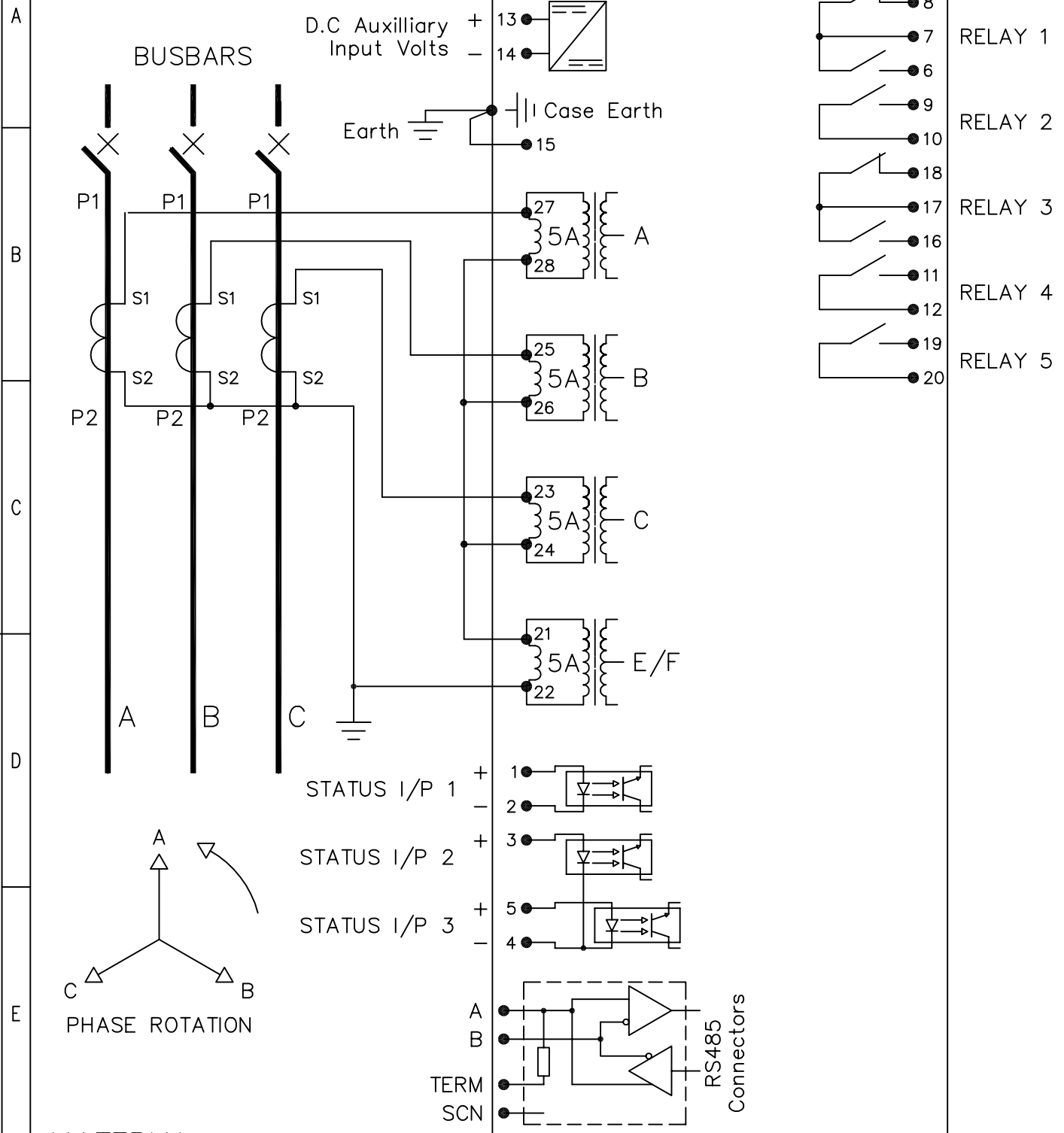


IF IN DOUBT ASK
DO NOT SCALE

ARGUS 43X



- NOTES**
1. CT & EARTH CONNECTIONS ARE TYPICAL ONLY.
 2. APPLICATION SHOWS USE OF HOLMGREEN (RESIDUAL CURRENT) CONNECTION FOR E/F CIRCUIT. USE OF SEPERATE RING-CORE CT IS ALSO POSSIBLE.
 3. STATUS INPUT 2 AND 3 ARE INTERNALLY COMMONED TO TERMINAL 4 (-ve).
 4. FOR TERMINAL DIAGRAM SEE 2434W50014 (A2).

**FOR INFORMATION ONLY
UNCONTROLLED COPY
NOT SUBJECT TO UPDATE**

MATERIAL:

Dimensions in millimetres : Surface texture in micrometres.
Machine where marked ✓
For explanation of dimensions, tolerances, notes etc. see B.S.308.
Limit on untoleranced unmachined dimensions ± _____
Limits on untoleranced machined dimensions to B.S.4500;
i.e. up to 6±0.1; over 30 to 120±0.3; over 315±0.8;
over 6 to 30±0.2; over 120 to 315±0.5;
General unmachined angular tolerance ± _____

Finish: _____
Treatment: _____

Title: TYPICAL SCHEMATIC DIAGRAM ARGUS AG1-4XX-E RELAYS
5A (3P/F+E/F) 3xSI, 3NO+2CO, RS485 COMMS. INTERFACE

**VATECH REYROLLE
AUTOMATION, CONTROL & PROTECTION**

Original Scale: NTS

First used on: _____
Similar Articles: 2434W10143
Supersedes: _____
Drg. No. 2434W10146

1	03/12/04	CHANGE NOTED	△
ISSUE	DATE		