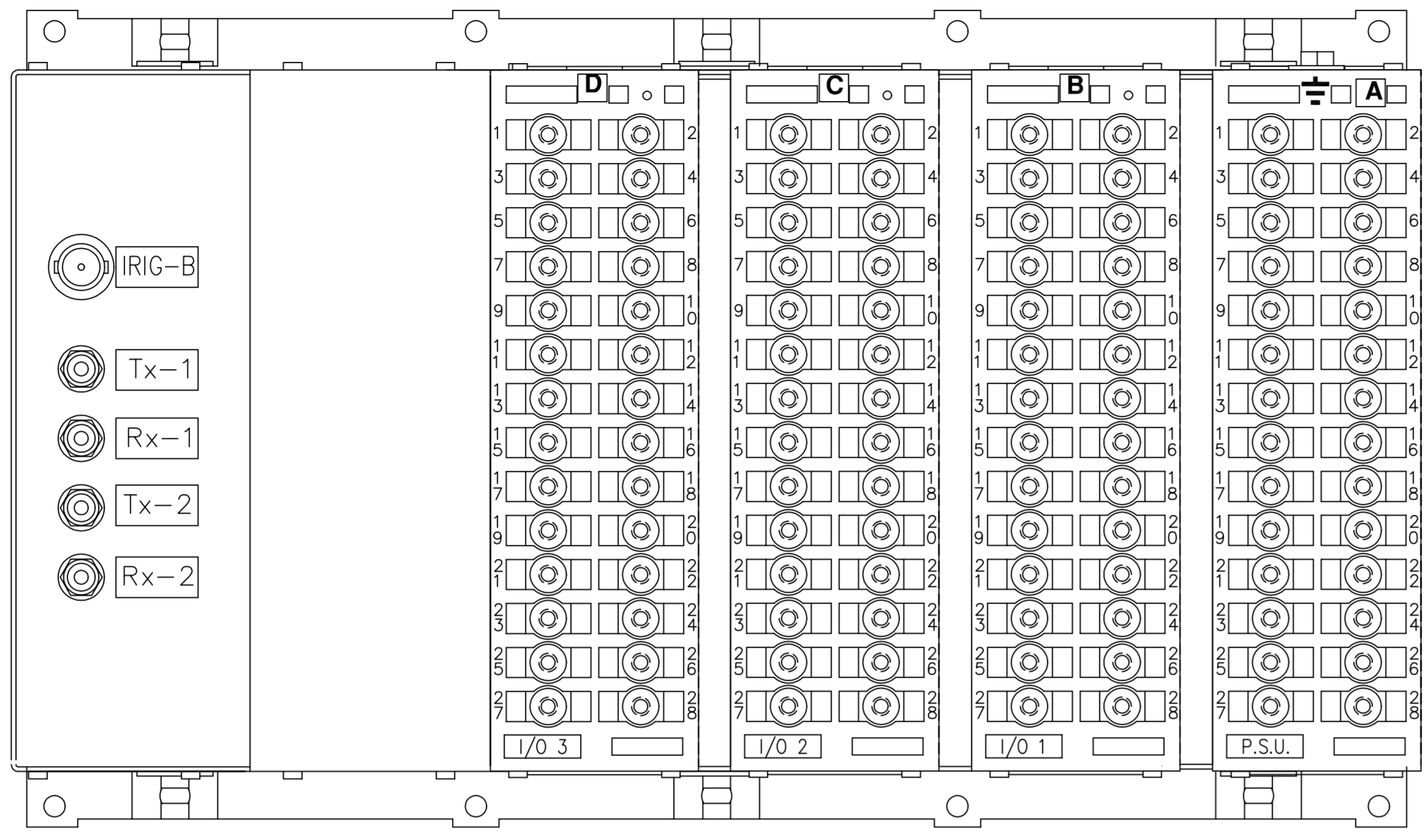
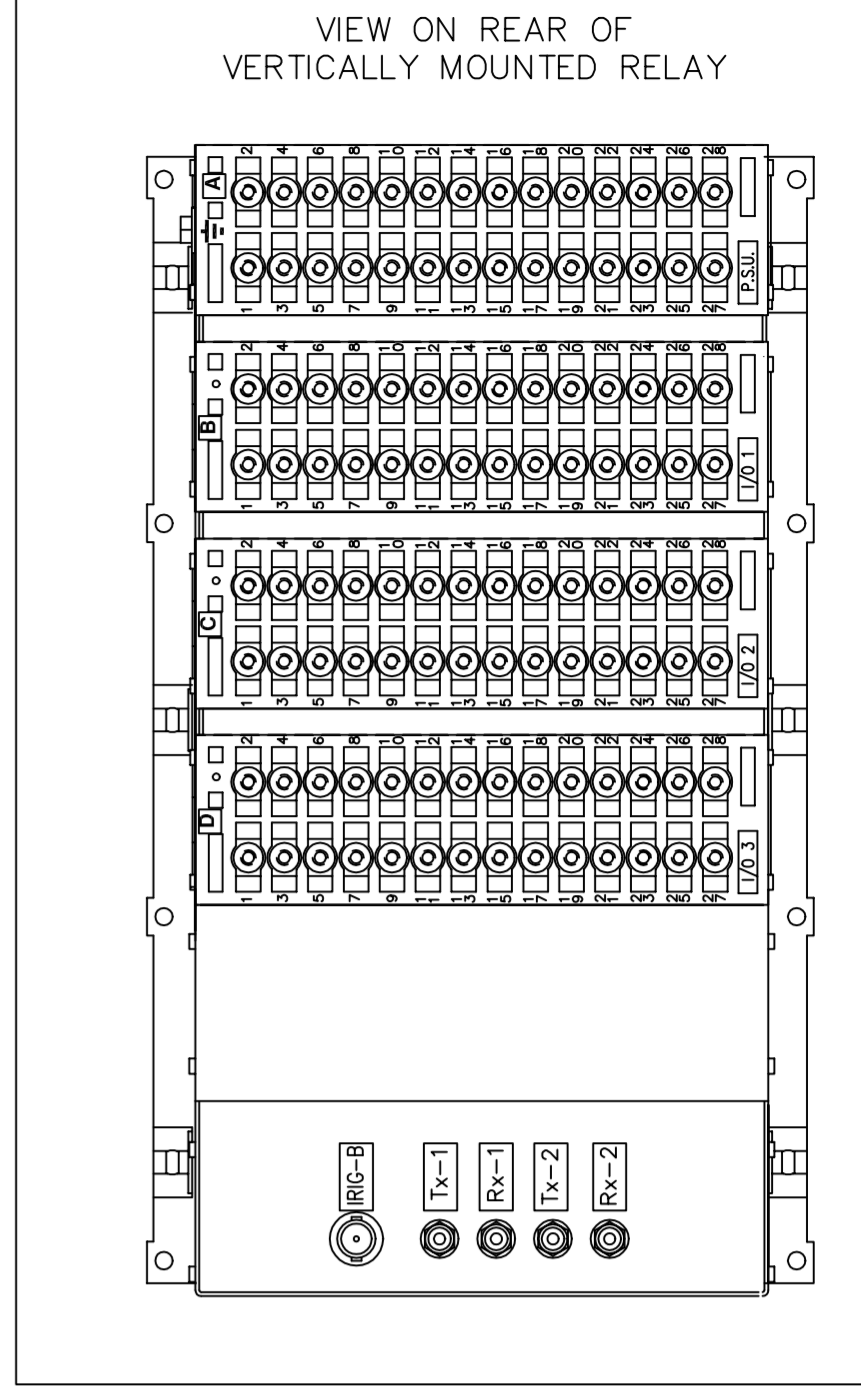


IF IN DOUBT ASK  
DO NOT SCALE



RELAY VIEWED FROM REAR



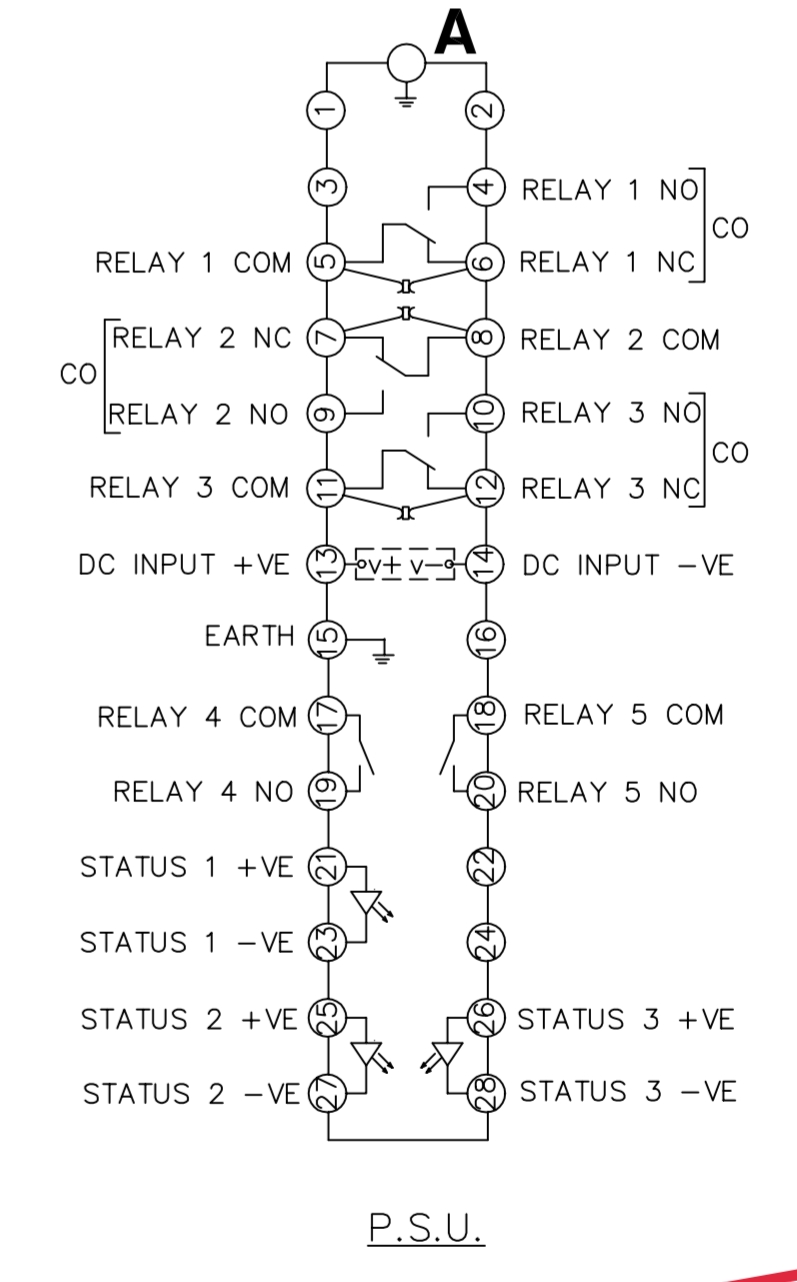
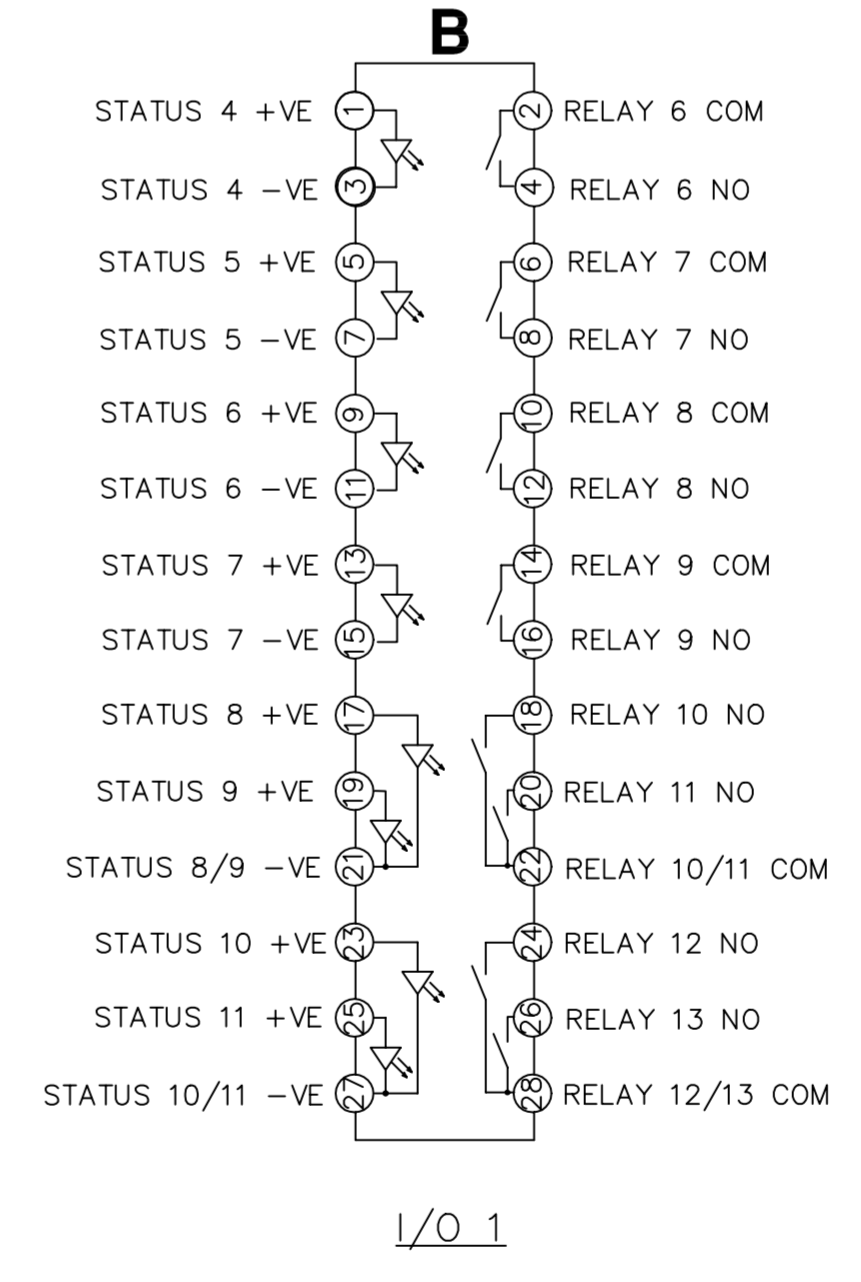
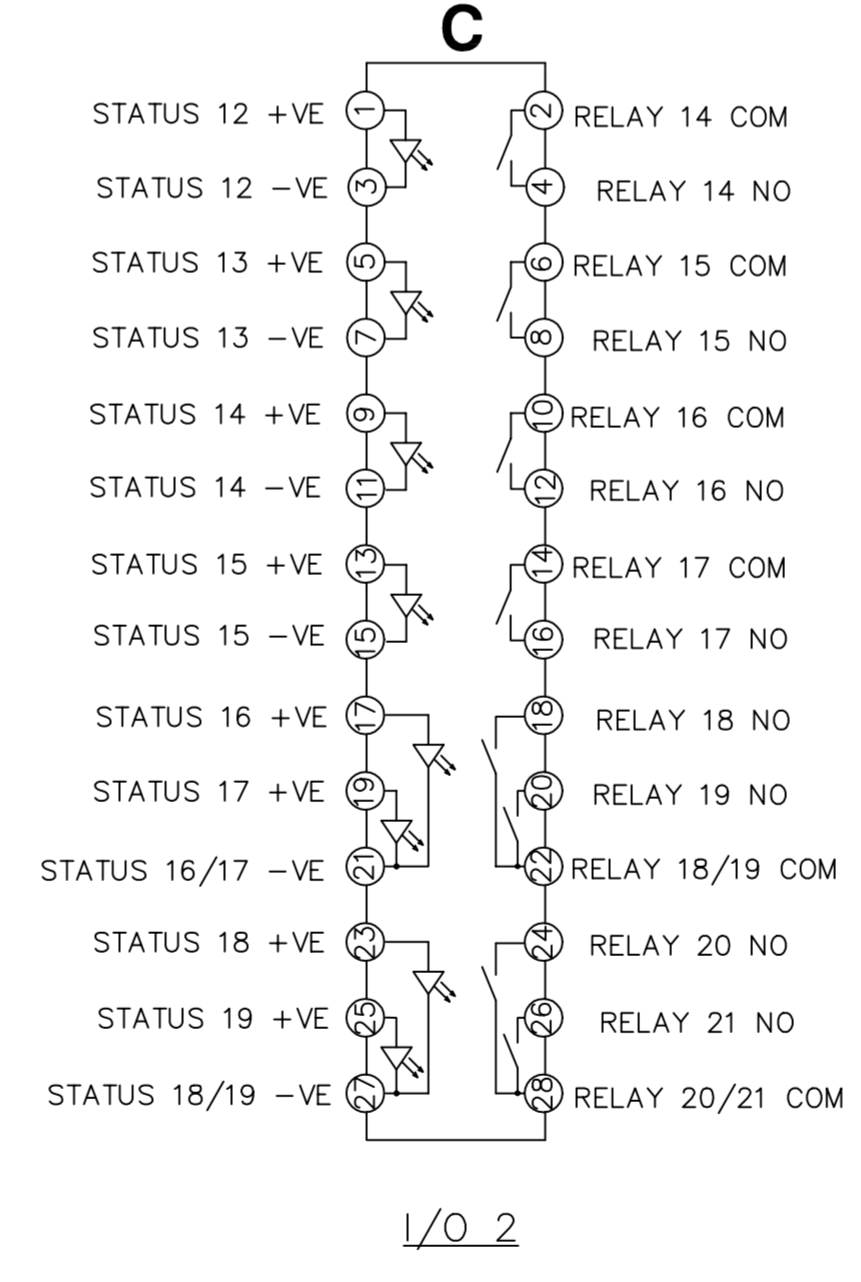
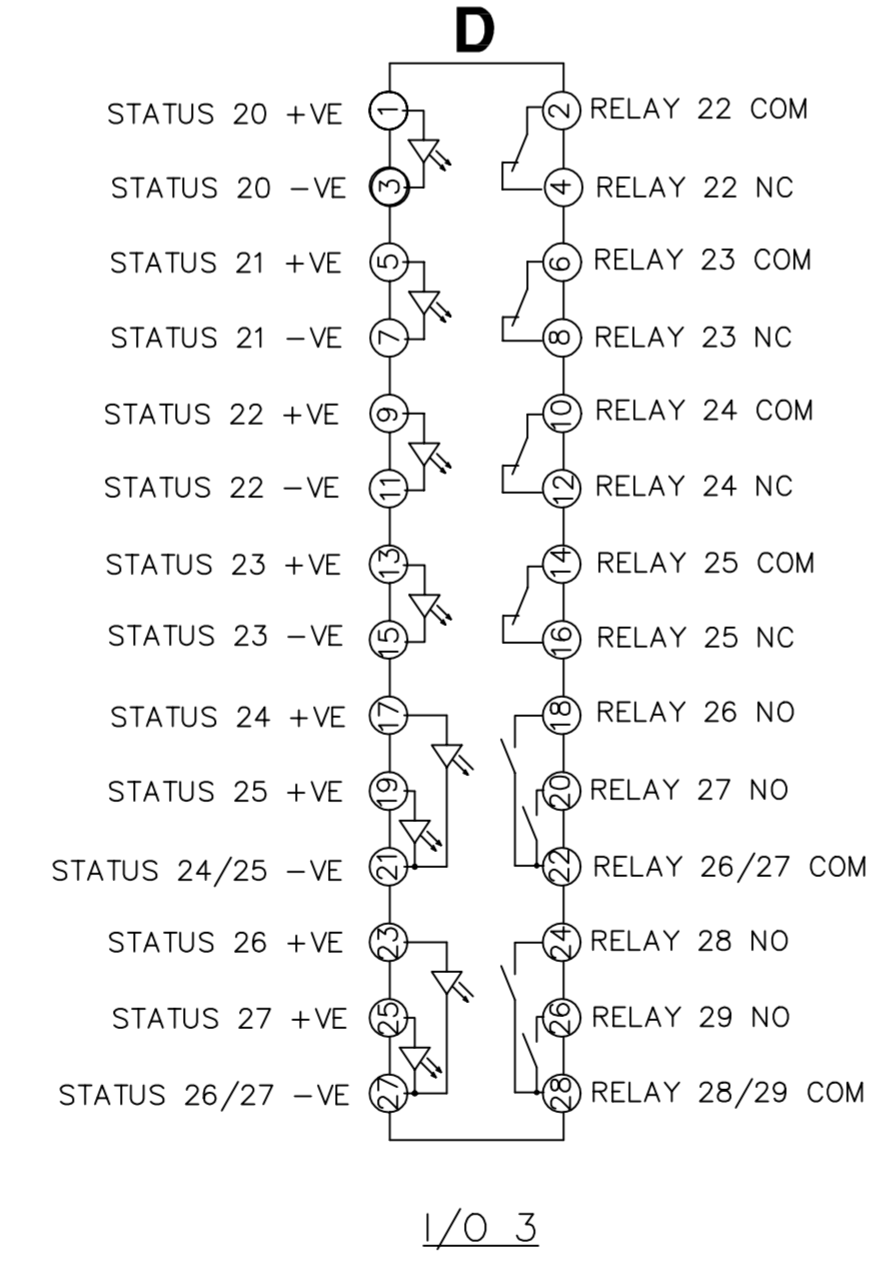
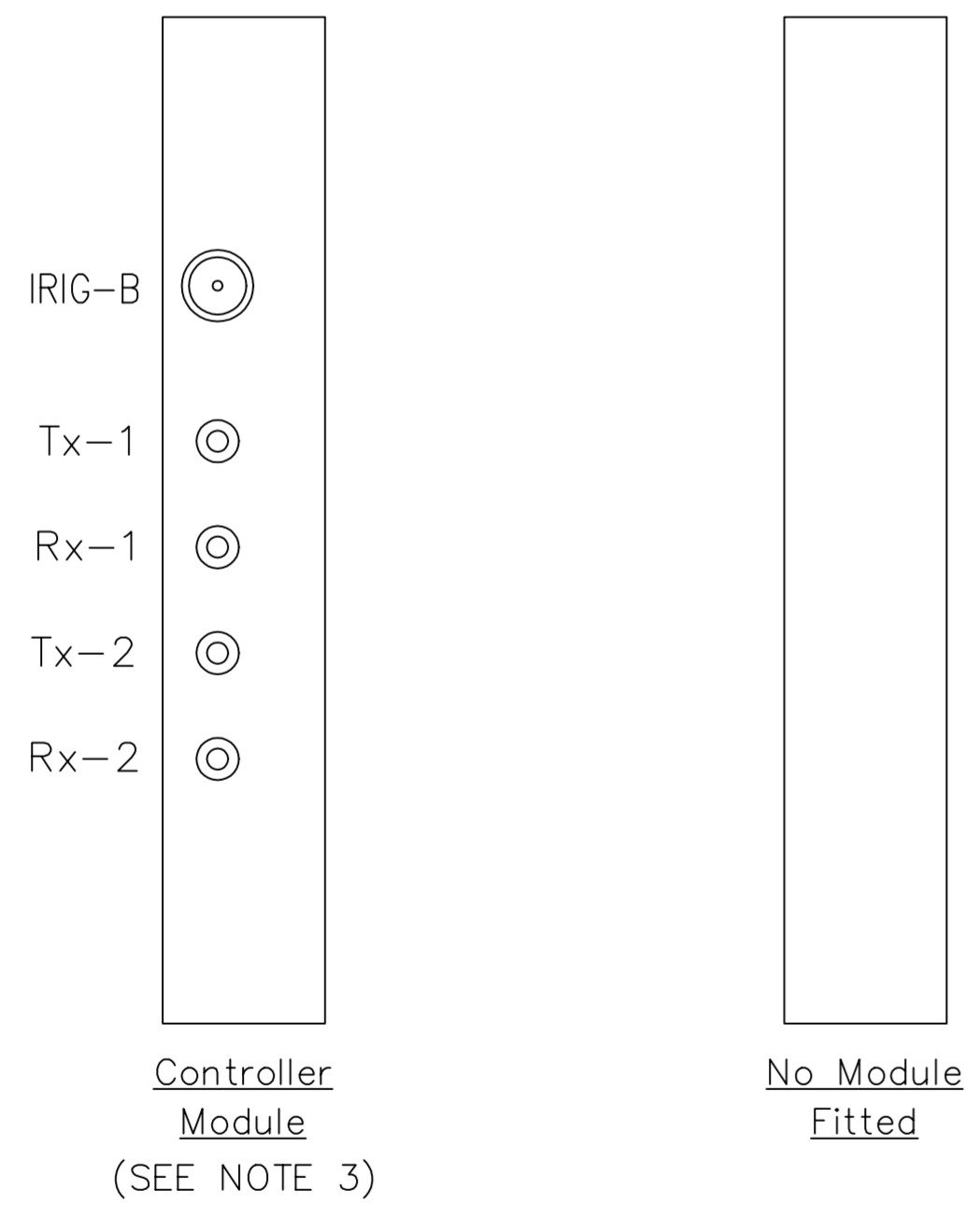
NOTES

1 TERMINALS RECOMMENDED ARE PRE INSULATED & MUST BE CRIMPED USING APPROVED TOOLING. AMP PIDG OR PLASTI GRIP FUNNEL ENTRY (RING TONGUE) FOR M4 FIXING STUD.

SUPPLIER	AMP	CABLE SIZE
AMP	342103	0.25-1.6 SQ MM
AMP	342143	1.0-2.6 SQ MM.

OR ANY OTHER MANUFACTURERS EQUIVALENT TERMINAL.

2 FOR OUTLINE & DRILLING DRG SEE 2995X10012 (A4).  
3 IRIG-B & FIBRE OPTIC CONNECTORS MUST BE DISCONNECTED & FIXING NUTS REMOVED BEFORE WITHDRAWING CONTROLLER MODULE.



MODULE LABEL KEY	
ANALOGUE MODULE	NOT FITTED
INPUT/OUTPUT MODULE	I/O 1 etc
P.S.U. & BASIC I/O MODULE	P.S.U.

ABBREVIATIONS	
CT	CURRENT INPUTS
VT	VOLTAGE INPUTS
SI	STATUS INPUTS
CO	CHANGE OVER OUTPUT CONTACTS
NO	NORMALLY OPEN OUTPUT CONTACTS
NC	NORMALLY CLOSED OUTPUT CONTACTS

**MATERIAL:**  
Dimensions in millimetres : Surface texture in micrometres.  
Machine where marked ✓  
For explanation of dimensions, tolerances, notes etc. see B.S.308.  
Limit on untoleranced unmachined dimensions ±  
Limits on untoleranced machined dimensions to B.S.4500;  
i.e. up to 6±0.1; over 30 to 120±0.3; over 315±0.8;  
over 6 to 30±0.2; over 120 to 315±0.5;  
General unmachined angular tolerance ±

Finish:	Title: TERMINAL I.D. & WIRING DIAGRAM FOR IOTA RELAY (27SI,3CO,22NO,4NC) E12 CASE.	First used on:
Treatment:	VA TECH Reyrolle AUTOMATION, CONTROL & PROTECTION	Original Scale: NTS
DATE 21/3/01	IE DN	Supersedes:
DRWN M GREEN	CHECKED A.LAW	APPROVED RDW
DATE 21/3/01	IE DN	OPS
PCP	Purch.Spec.	TQ
EAC	CE	STD
A1		

NOT SUBJECT TO UPDATE  
ONCE COPIED / PRINTED  
OR DOWNLOADED

4 ROW	18/08/03	MNS13/2440	MM
3	05/03/01	MN1036/279	
2	20/05/00	MN1036/01 MG	
1	3/7/00	CHANGE	
ISSUE	DATE	NOTED	△

2761W11003