

IF IN DOUBT ASK  
DO NOT SCALE

A

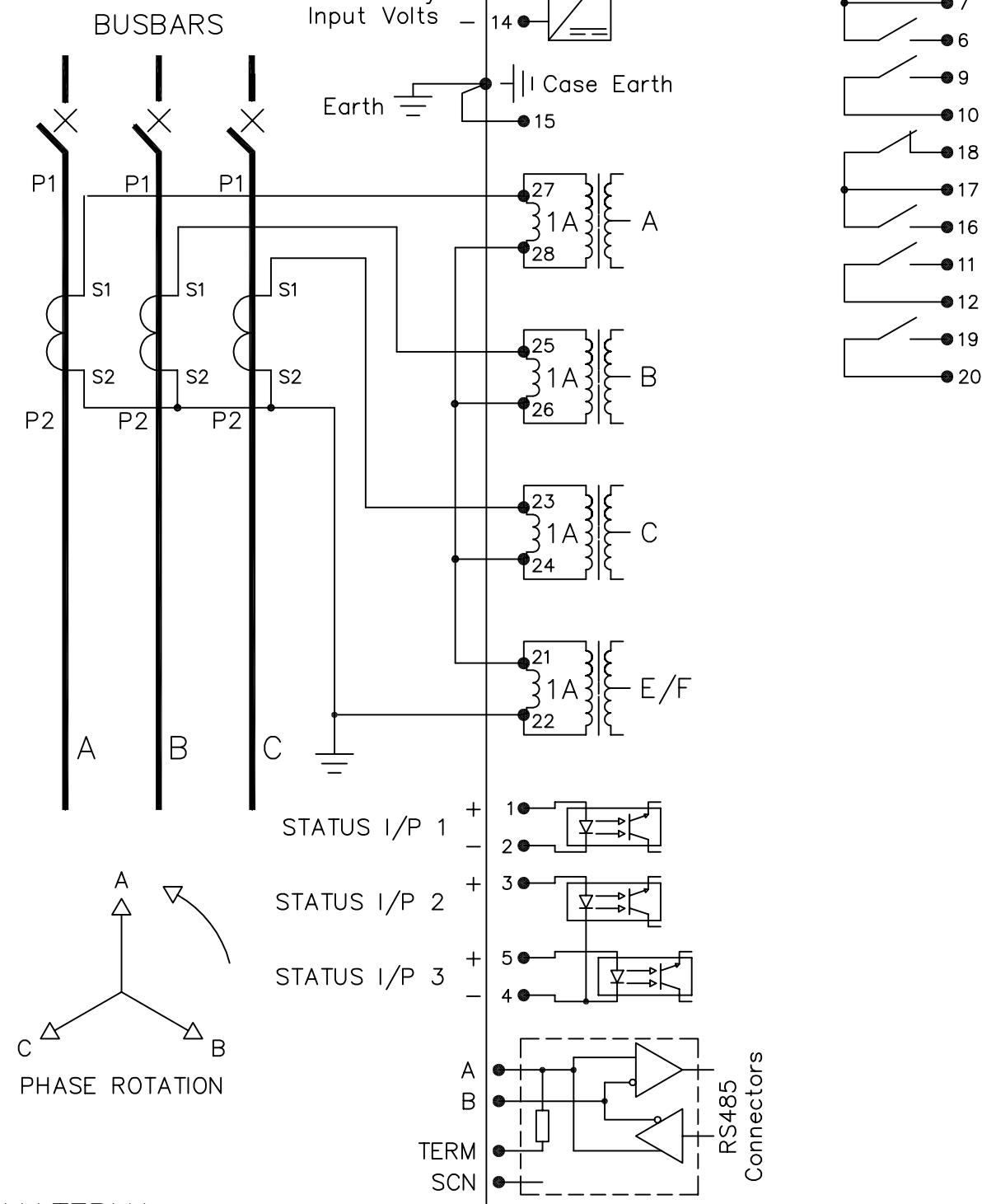
B

C

D

E

F



MATERIAL:

Dimensions in millimetres : Surface texture in micrometres.  
Machine where marked ✓  
For explanation of dimensions, tolerances, notes etc. see B.S.308.  
Limit on untoleranced unmachined dimensions ± \_\_\_\_\_  
Limits on untoleranced machined dimensions to B.S.4500;  
i.e. up to 6±0.1; over 30 to 120±0.3; over 315±0.8;  
over 6 to 30±0.2; over 120 to 315±0.5;  
General unmachined angular tolerance ± \_\_\_\_\_

Finish: \_\_\_\_\_  
Treatment: \_\_\_\_\_

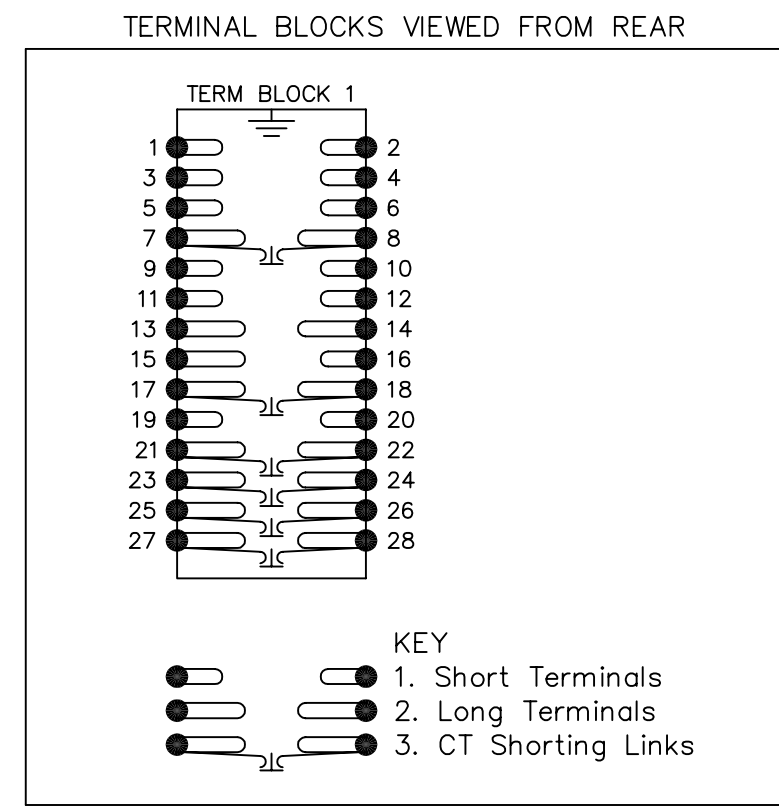
Title:  
TYPICAL SCHEMATIC DIAGRAM ARGUS AG1-4XX-E RELAYS  
1A (3P/F+E/F) 3xSI, 3NO+2CO, RS485 COMMS. INTERFACE

**VATECH REYROLLE  
AUTOMATION, CONTROL & PROTECTION**

Original Scale:  
NTS

First used on:  
Similar Articles: 2434W10143  
Supersedes:  
Drg. No.  
**2434W10144**

DRAWN S KEEBLE | CHECKED RDW | APPROVED RD.WATSON | DATE 7/12/04 | IE | OPS | PCP | Purch.Spec. TQ | EAC | CE | STD | A3



- NOTES
1. CT & EARTH CONNECTIONS ARE TYPICAL ONLY.
  2. APPLICATION SHOWS USE OF HOLMGREEN (RESIDUAL CURRENT) CONNECTION FOR E/F CIRCUIT. USE OF SEPERATE RING-CORE CT IS ALSO POSSIBLE.
  3. STATUS INPUT 2 AND 3 ARE INTERNALLY COMMONED TO TERMINAL 4 (-ve).
  4. FOR TERMINAL DIAGRAM SEE 2434W50014 (A2).

**FOR INFORMATION ONLY  
UNCONTROLLED COPY  
NOT SUBJECT TO UPDATE**

1	03/12/04	CHANGE NOTED	△
ISSUE	DATE		

Copyright © 2004 VATECH REYROLLE ACP Ltd. Hebburn