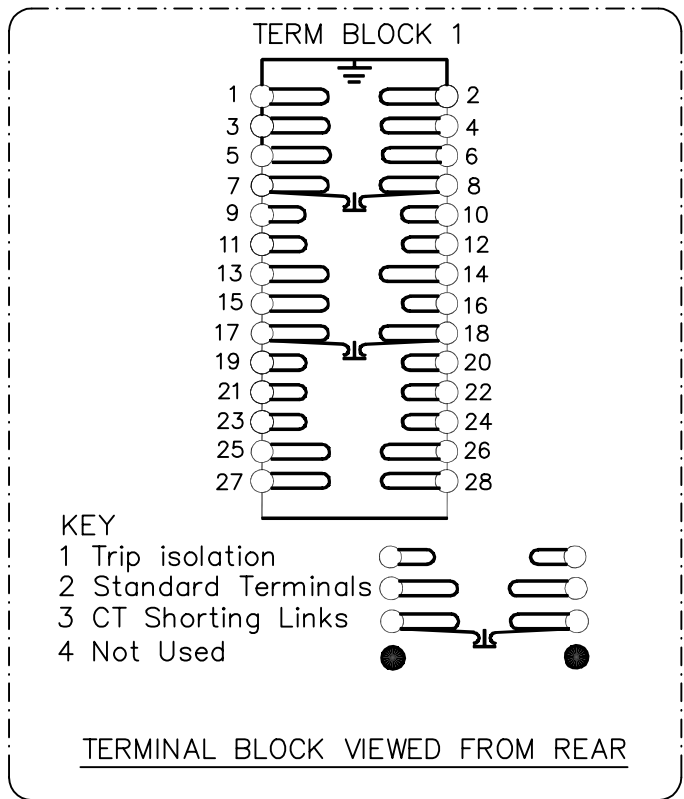
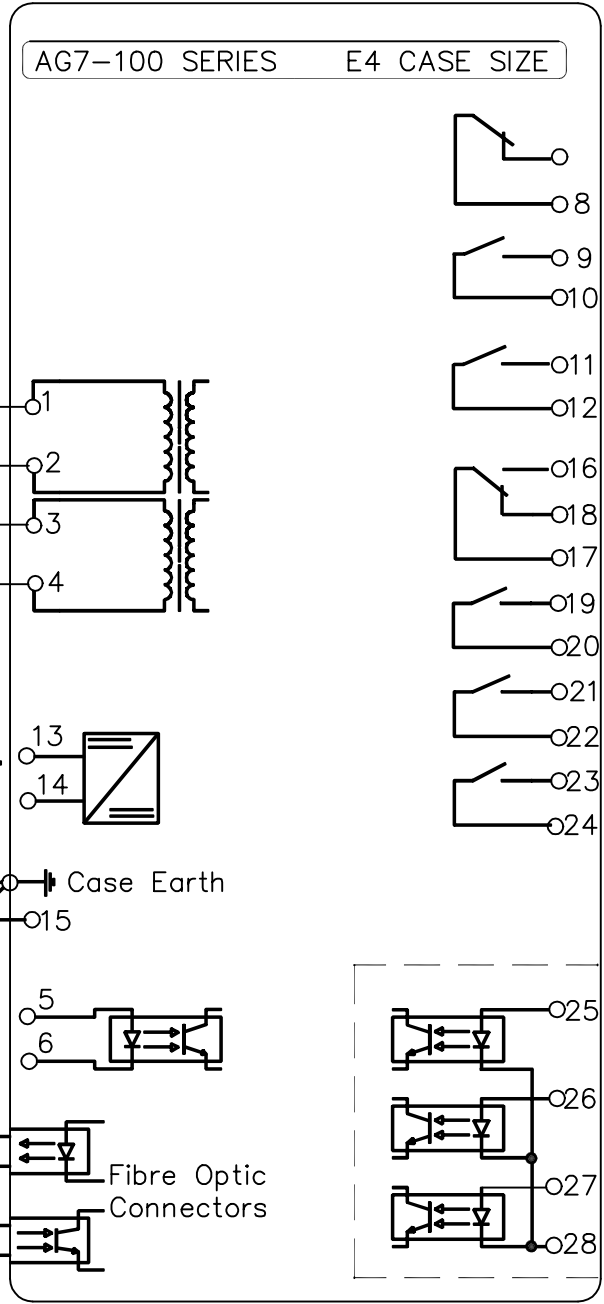
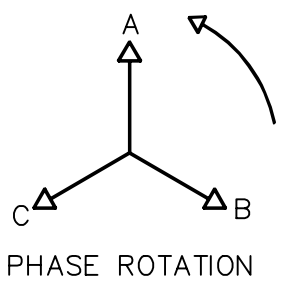
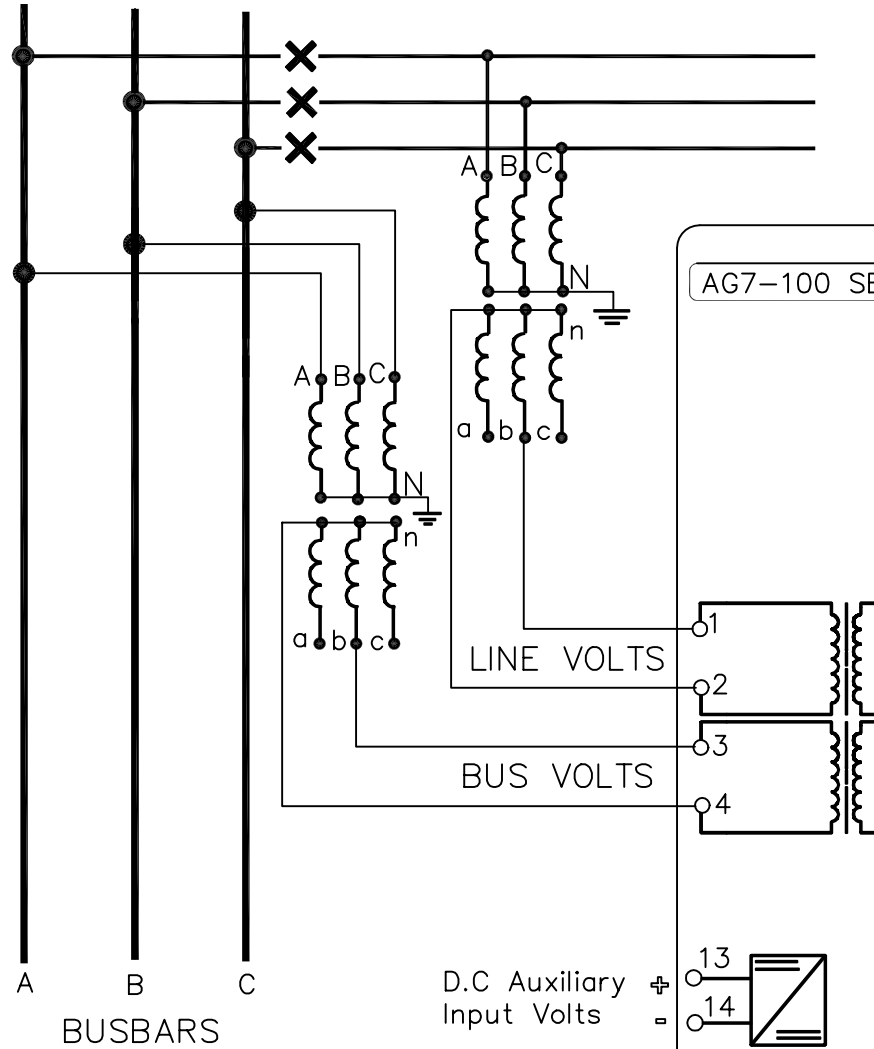


IF IN DOUBT ASK
DO NOT SCALE

RELAY ORDERING CODES: AG7(101-102) CHECK SYNCHRONISING RELAY

**NOT SUBJECT TO UPDATE
ONCE COPIED / PRINTED
OR DOWNLOADED**



NOTES
1 VT CONNECTIONS ARE SHOWN FOR PHASE-NEUTRAL, PHASE-PHASE IS ALSO POSSIBLE.
2 VT & EARTH CONNECTIONS ARE TYPICAL ONLY.

Check Synchronising Relay AG7

MATERIAL:

Dimensions in millimetres : Surface texture in micrometres.
Machine where marked ✓
For explanation of dimensions, tolerances, notes etc. see B.S.308.
Limit on untoleranced unmachined dimensions ± _____
Limits on untoleranced machined dimensions to B.S.4500;
i.e. up to 6±0.1; over 30 to 120±0.3; over 315±0.8;
over 6 to 30±0.2; over 120 to 315±0.5;
General unmachined angular tolerance ± _____

Finish: _____
Treatment: _____

Title: TYPICAL SCHEMATIC DIAGRAM CHECK SYNCHRONISING RELAY ARGUS 7
Reyrolle Protection Hebburn.
Original Scale: NTS

First used on: _____
Similar Articles: _____
Supersedes: _____
Drg. No. **2732W10002**

2	19/4/02	MN434/2292
1	24/4/01	CHANGE NOTED
ISSUE	DATE	NOTED