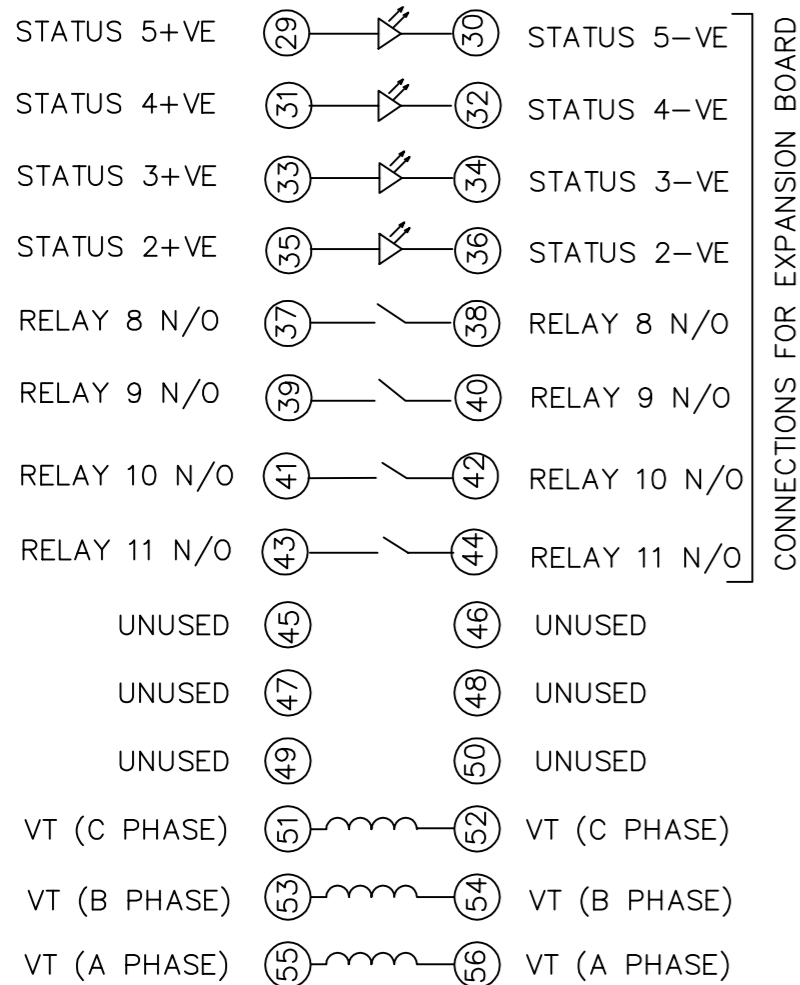


IF IN DOUBT ASK
DO NOT SCALE

A



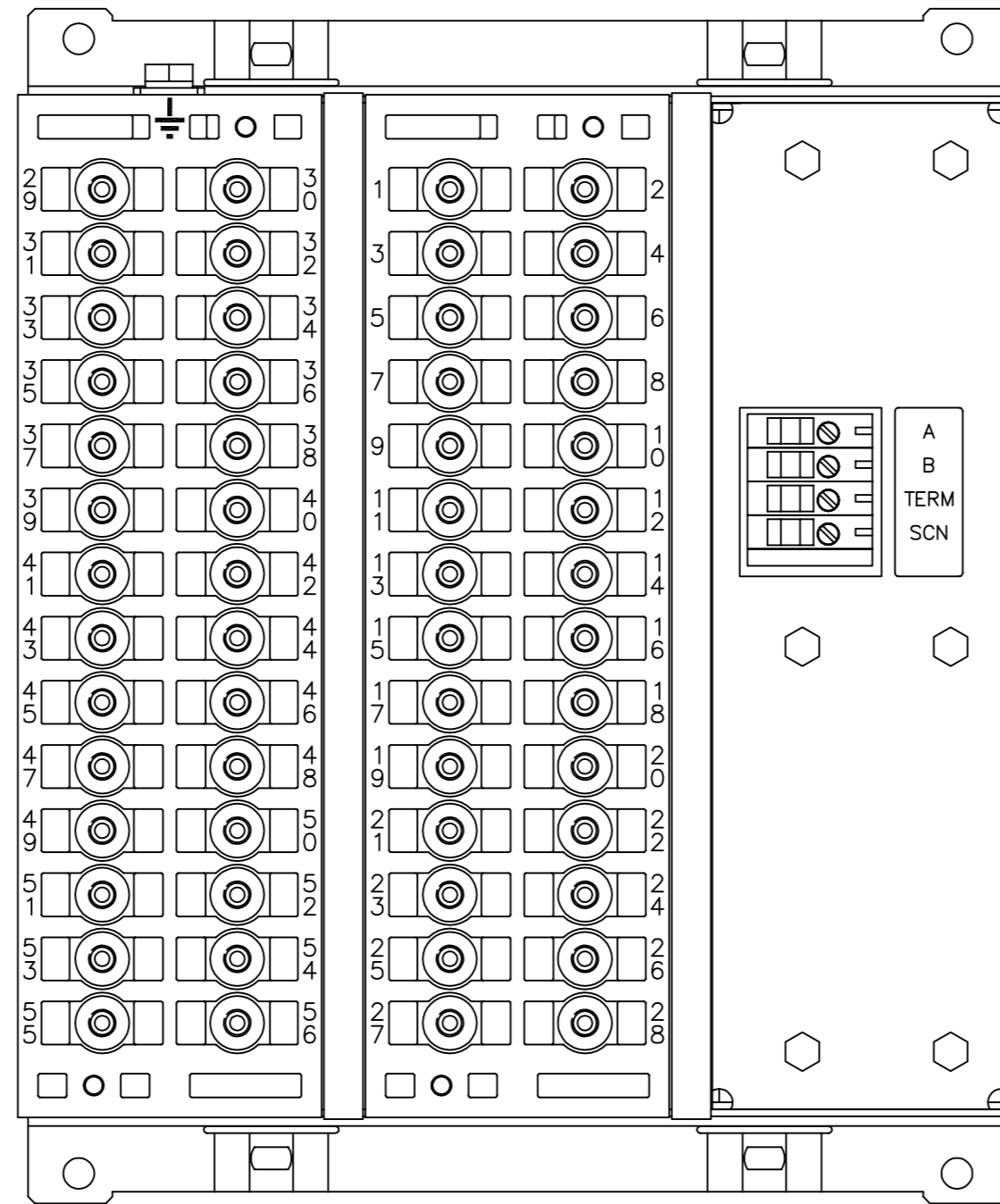
B

C

D

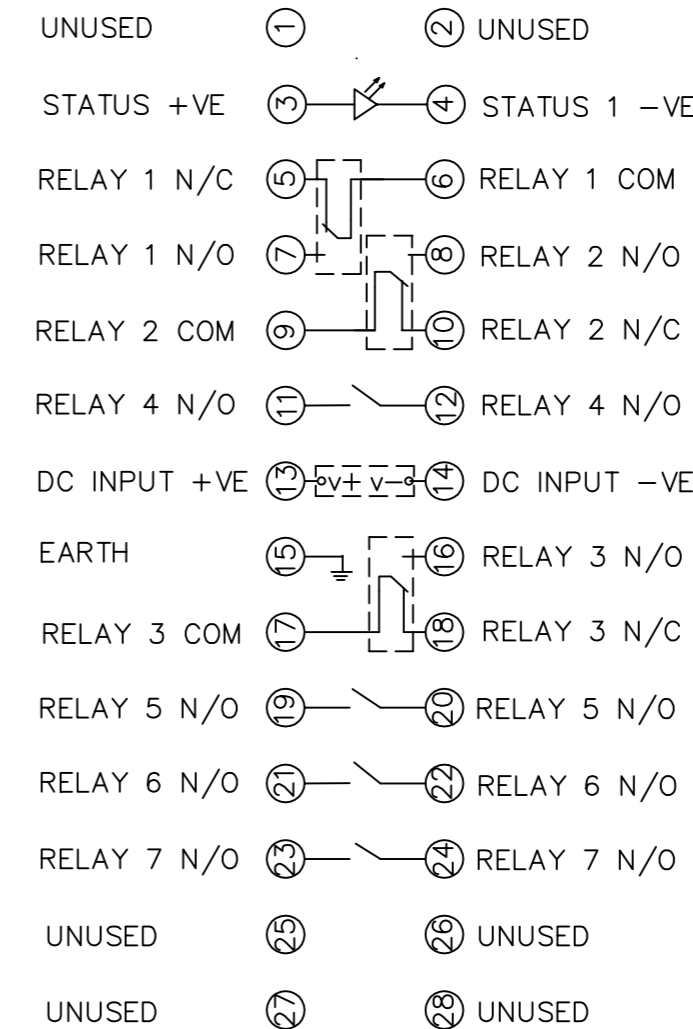
E

F



BOX VIEWED FROM REAR

PROTECTION TYPE	SCHEMATIC DIAGRAM OPTION B	SCHEMATIC DIAGRAM OPTION C
PHASE/PHASE	2422W10010 (A3)	2422W10011 (A3)
PHASE/NEUTRAL	2422W10012 (A3)	2422W10013 (A3)



OUTER TERMINAL BLOCK ASSY:-
VIEW BLOCK FROM THE INSIDE FACE

ASSEMBLY INSTRUCTIONS:-
TYPICAL ASSEMBLY DRAWING 2995G10029
AT INDICATED POSITIONS FIT AS FOLLOWS,
S - FIT STANDARD CONTACT
2995B10051
HC - FIT 'HEAVY CURRENT' KIT
2995G10030
WHERE (S) IS SHOWN FIT
CT SHORTING KIT 2995G10031
POSITIONS SHOWN BLANK ARE UNUSED
ALL POSITIONS FIT SCREW 2106F12506

2	S	S	29
3	S	S	31
4	S	S	33
5	S	S	35
6	S	S	37
7	S	S	39
8	S	S	41
9	S	S	43
10	S	S	45
11	S	S	47
12	S	S	49
13	S	S	51
14	S	S	53
15	S	S	55
16	S	S	57
17	S	S	59
18	S	S	61
19	S	S	63
20	S	S	65
21	S	S	67
22	S	S	69
23	S	S	71
24	S	S	73
25	S	S	75
26	S	S	77
27	S	S	79
28	S	S	81

CHASSIS TERMINAL BLOCK ASSY:-
VIEW FROM NUMBERED SIDE OF BLOCK

ASSEMBLY INSTRUCTIONS:-
TYPICAL ASSEMBLY DRAWING 2995G10032
AT INDICATED POSITIONS FIT AS FOLLOWS,
T - FIT TRIP ISOLATION CONTACT
2995B10053
S - FIT STANDARD CONTACT
2995B10054
POSITIONS SHOWN BLANK ARE UNUSED

2	T	T	1
3	T	T	3
4	T	T	5
5	T	T	7
6	T	T	9
7	T	T	11
8	T	T	13
9	T	T	15
10	T	T	17
11	T	T	19
12	T	T	21
13	T	T	23
14	T	T	25
15	T	T	27
16	T	T	29
17	T	T	31
18	T	T	33
19	T	T	35
20	T	T	37
21	T	T	39
22	T	T	41
23	T	T	43
24	T	T	45
25	T	T	47
26	T	T	49
27	T	T	51
28	T	T	53
29	T	T	55
30	T	T	57
31	T	T	59
32	T	T	61
33	T	T	63
34	T	T	65
35	T	T	67
36	T	T	69
37	T	T	71
38	T	T	73
39	T	T	75
40	T	T	77
41	T	T	79
42	T	T	81
43	T	T	83
44	T	T	85
45	T	T	87
46	T	T	89
47	T	T	91
48	T	T	93
49	T	T	95
50	T	T	97
51	T	T	99
52	T	T	101
53	T	T	103
54	T	T	105
55	T	T	107
56	T	T	109
57	T	T	111
58	T	T	113
59	T	T	115
60	T	T	117
61	T	T	119
62	T	T	121
63	T	T	123
64	T	T	125
65	T	T	127

FOR INFORMATION ONLY
UNCONTROLLED COPY
NOT SUBJECT TO UPDATE

NOTES

1 TERMINALS RECOMMENDED ARE PRE INSULATED & MUST BE CRIMPED USING APPROVED TOOLING. AMP PIDG OR PLASTI GRIP FUNNEL ENTRY (RING TONGUE) FOR M4 FIXING STUD.
SUPPLIER AMP CABLE SIZE
AMP 342103 0.25-1.6 SQ MM
AMP 342143 1.0-2.6 SQ MM.
OR ANY OTHER MANUFACTURERS EQUIVALENT TERMINAL.

2 FOR OUTLINE & DRILLING DRG SEE 2995X10006 (A4).
3 TERMINAL BLOCKS TO BE REFERENCED A & B AS SHOWN.

MATERIAL:

Dimensions in millimetres ; Surface texture in micrometres.
Machine where marked ✓
For explanation of dimensions, tolerances, notes etc. see B.S.308.
Limit on untoleranced unmachined dimensions ± _____
Limits on untoleranced machined dimensions to B.S.4500;
i.e. up to 6±0.1; over 30 to 120±0.3; over 315±0.8;
over 6 to 30±0.2; over 120 to 315±0.5;
General unmachined angular tolerance ± _____

Finish: _____
Treatment: _____

Title: TERMINAL IDENTIFICATION & RELAY WIRING DIAGRAM
VOLT. RELAY 110/P+5SI ARGUS 8 (E6) WITH RS485 COMMS

VATECH REYROLLE
AUTOMATION, CONTROL & PROTECTION

Original Scale: 1:1

First used on: _____
Similar Articles: 2422W50002
Supersedes: _____
Drg. No. 2422W50008