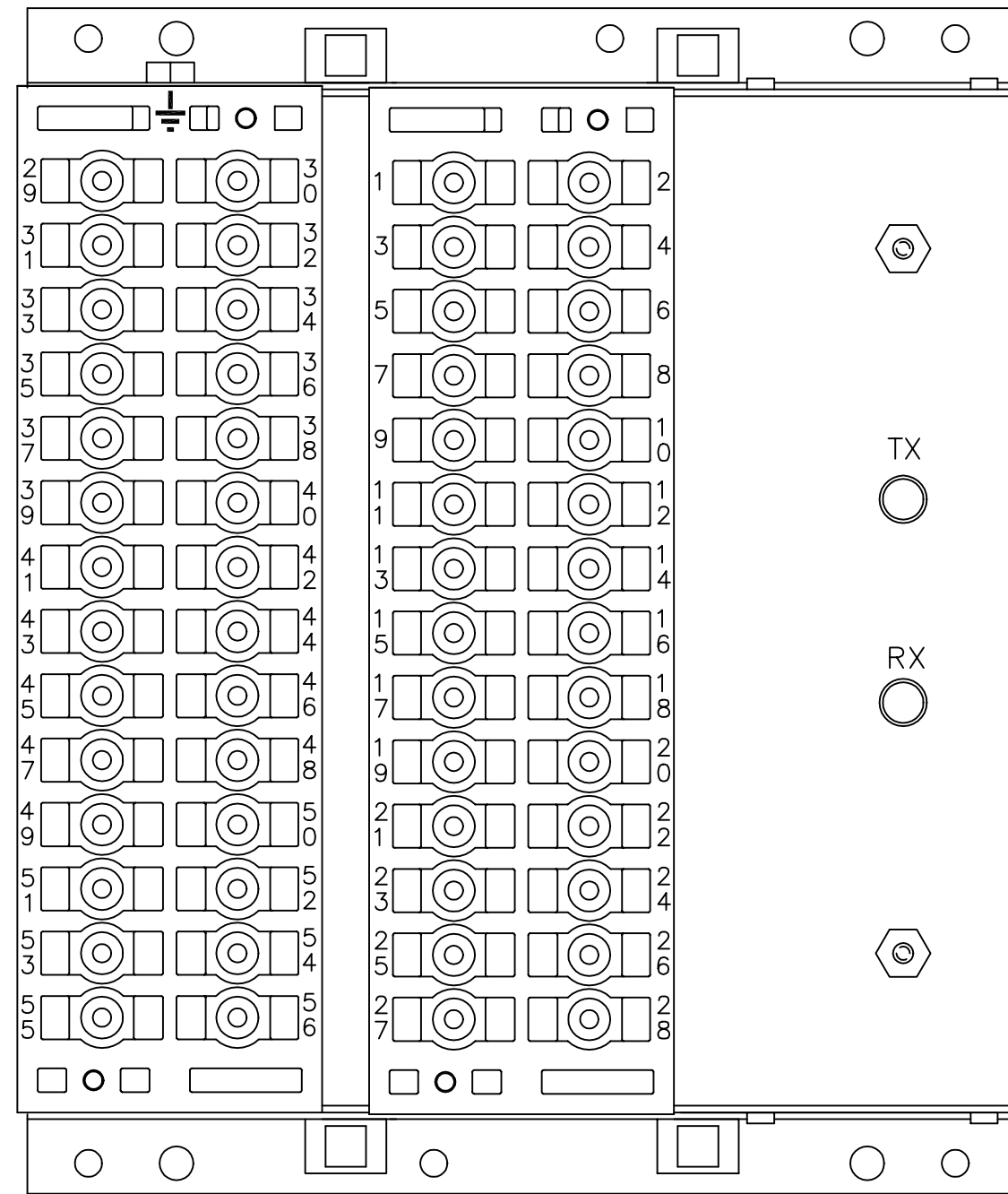
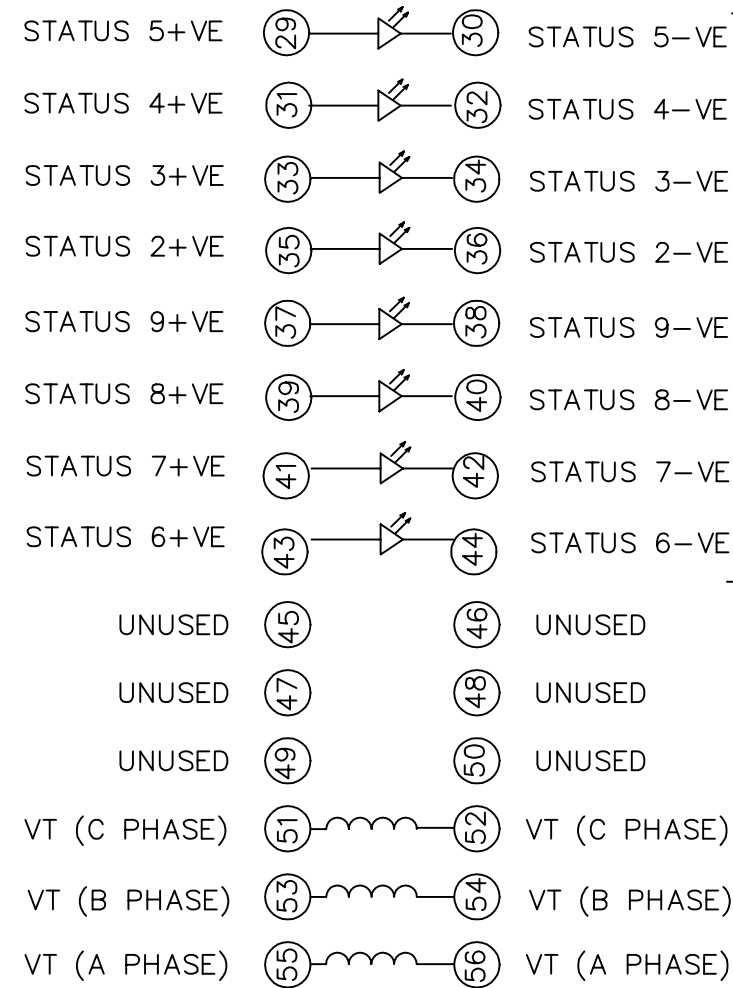
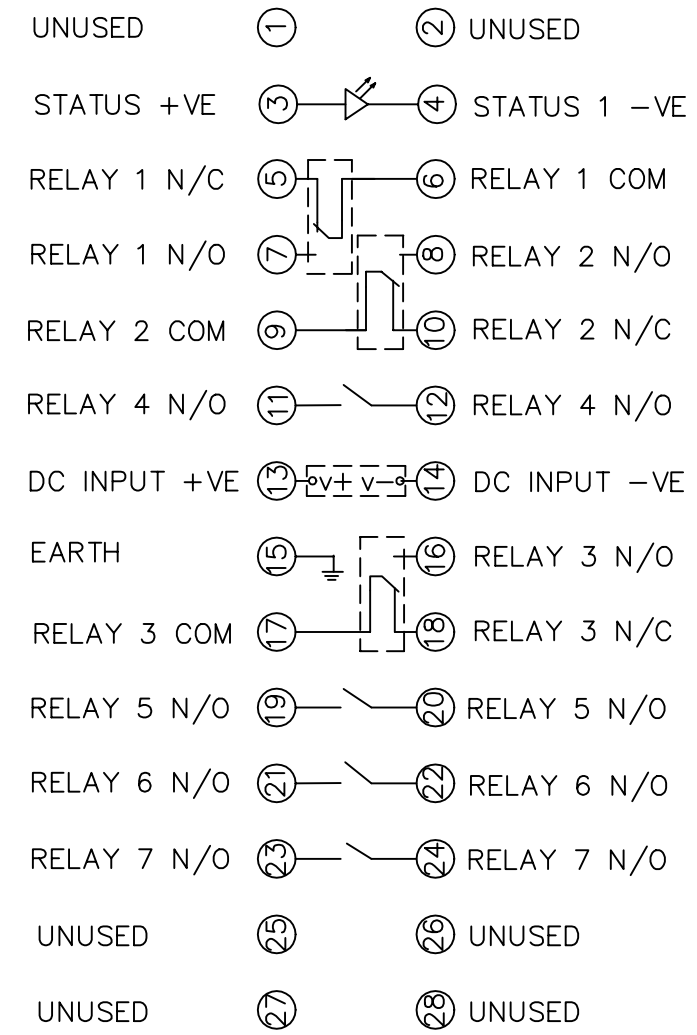


IF IN DOUBT ASK  
DO NOT SCALE

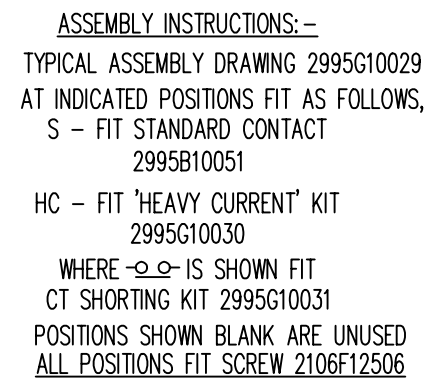


BOX VIEWED FROM REAR

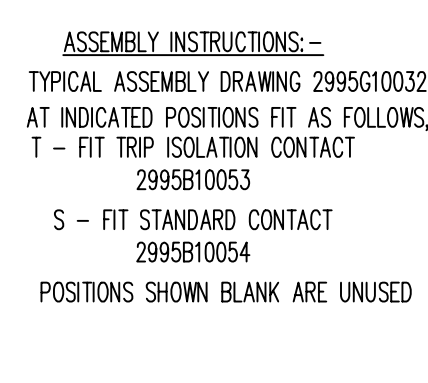
| PROTECTION TYPE | SCHEMATIC DIAGRAM<br>OPTION B | SCHEMATIC DIAGRAM<br>OPTION C |
|-----------------|-------------------------------|-------------------------------|
| PHASE/PHASE     | 2422W10003 (A3)               | 2422W10004 (A3)               |
| PHASE/NEUTRAL   | 2422W10005 (A3)               | 2422W10006 (A3)               |



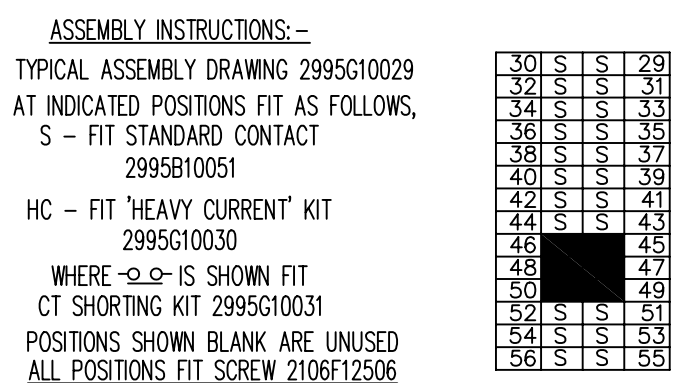
OUTER TERMINAL BLOCK ASSY:-  
VIEW BLOCK FROM THE INSIDE FACE



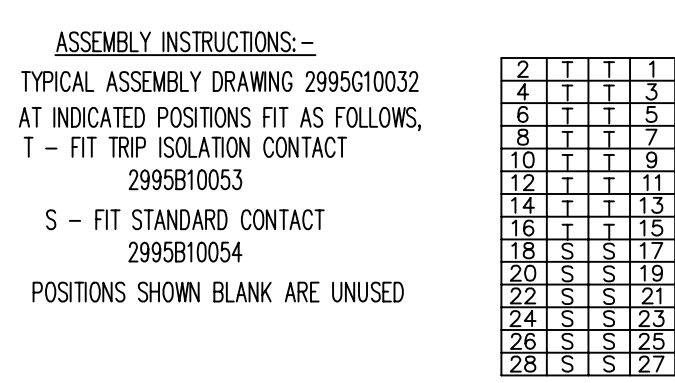
CHASSIS TERMINAL BLOCK ASSY:-  
VIEW FROM NUMBERED SIDE OF BLOCK



OUTER TERMINAL BLOCK ASSY:-  
VIEW BLOCK FROM THE INSIDE FACE



CHASSIS TERMINAL BLOCK ASSY:-  
VIEW FROM NUMBERED SIDE OF BLOCK



NOTES

1 TERMINALS RECOMMENDED ARE PRE INSULATED & MUST BE CRIMPED USING APPROVED TOOLING. AMP PIDG OR PLASTI GRIP FUNNEL ENTRY (RING TONGUE) FOR M4 FIXING STUD.

| SUPPLIER | AMP    | CABLE SIZE     |
|----------|--------|----------------|
| AMP      | 342103 | 0.25-1.6 SQ MM |
| AMP      | 342143 | 1.0-2.6 SQ MM. |

OR ANY OTHER MANUFACTURERS EQUIVALENT TERMINAL.

2 FOR OUTLINE & DRILLING DRG SEE 2995X10006 (A4).  
3 TERMINAL BLOCKS TO BE REFERENCED A & B AS SHOWN.

MATERIAL:

Dimensions in millimetres ; Surface texture in micrometres.  
Machine where marked ✓  
For explanation of dimensions, tolerances, notes etc. see B.S.308.  
Limit on untoleranced unmachined dimensions ± \_\_\_\_\_  
Limits on untoleranced machined dimensions to B.S.4500;  
i.e. up to 6±0.1; over 30 to 120±0.3; over 315±0.8;  
over 6 to 30±0.2; over 120 to 315±0.5;  
General unmachined angular tolerance ± \_\_\_\_\_

|            |  |                              |
|------------|--|------------------------------|
| Finish:    | Title:<br>TERMINAL IDENTIFICATION & RELAY WIRING DIAGRAM<br>VOLTAGE RELAY 70/P + 9SI ARGUS 8 (E6 CASE) | First used on:               |
| Treatment: | <b>VATECH REYROLLE</b><br><b>AUTOMATION, CONTROL &amp; PROTECTION</b>                                  | Similar Articles:            |
|            | Original Scale:<br>1 : 1   | Supersedes:                  |
|            | Copyright © 2004 VATECH REYROLLE ACP Ltd. Hebburn  | Dr. No.<br><b>2422W50004</b> |

NOT SUBJECT TO UPDATE  
ONCE COPIED / PRINTED  
OR DOWNLOADED