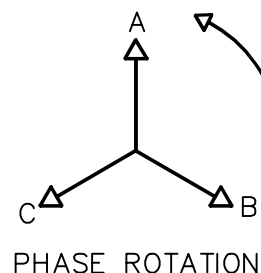
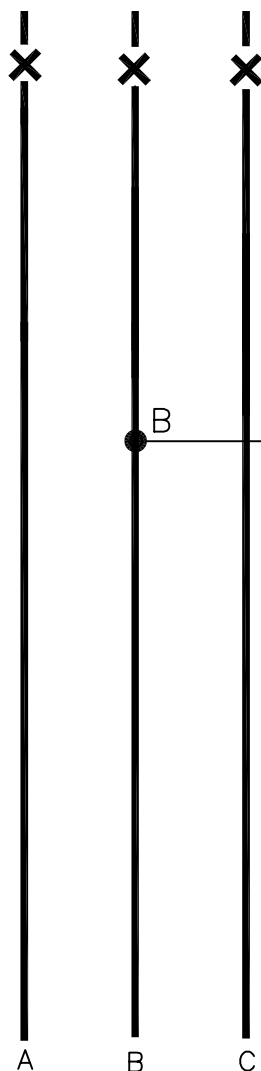


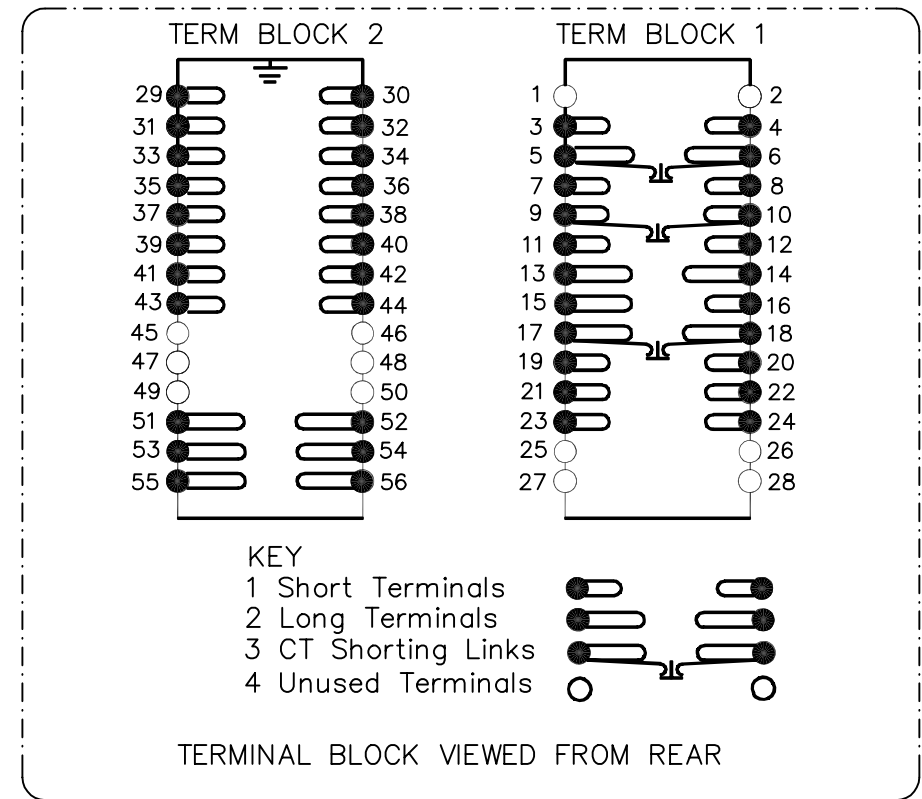
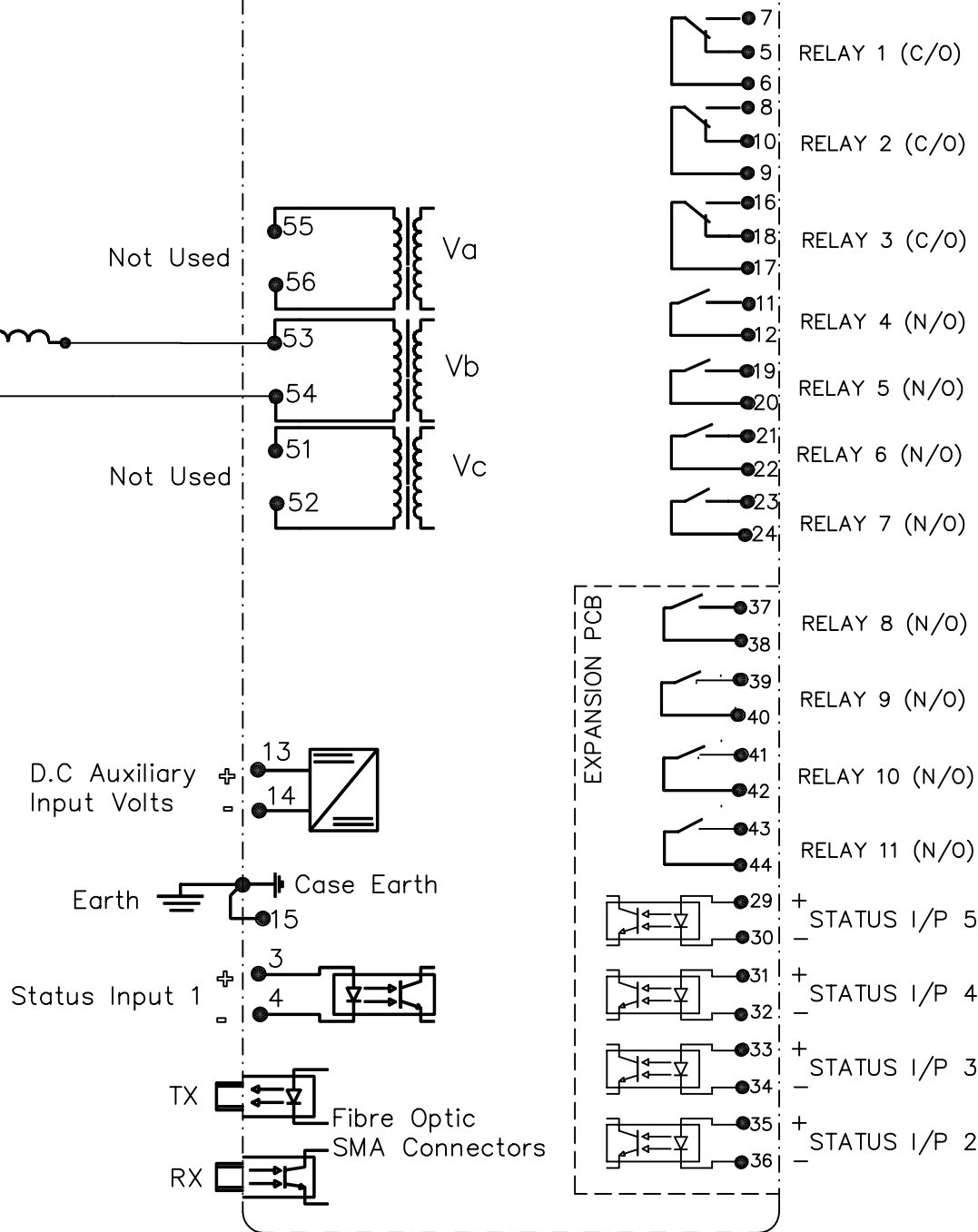
IF IN DOUBT ASK
DO NOT SCALE

A
B
C
D
E
F

BUSBARS



ARGUS 8 MODULAR SIZE 6 CASE



**NOT SUBJECT TO UPDATE
ONCE COPIED / PRINTED
OR DOWNLOADED**

- NOTES
- 1 TYPICAL VT EARTHING.
 - 2 FOR TYPICAL SCHEMATIC DIAGRAM SHOWING PHASE-PHASE CONNECTIONS SEE 2422W10003 (A3)
 - 3 FOR TYPICAL SCHEMATIC DIAGRAM SHOWING PHASE-NEUTRAL CONNECTIONS SEE 2422W10005 (A3)

MATERIAL:

Dimensions in millimetres : Surface texture in micrometres.
Machine where marked ✓
For explanation of dimensions, tolerances, notes etc. see B.S.308.
Limit on untoleranced unmachined dimensions ± _____
Limits on untoleranced machined dimensions to B.S.4500;
i.e. up to 6±0.1; over 30 to 120±0.3; over 315±0.8;
over 6 to 30±0.2; over 120 to 315±0.5;
General unmachined angular tolerance ± _____

Finish: _____
Treatment: _____

Title:
TYPICAL SCHEMATIC DIAGRAM 3 PHASE VOLTAGE/FREQUENCY
RELAY (USED IN SINGLE PHASE MODE) ARGUS 8

**Reyrolle Protection
Hebburn.**

Original Scale.
NTS

First used on: _____
Similar Articles: 2422W10005
Supersedes: _____
Drg. No.
2422W10007

| | | | |
|--------------------------------|-------|--------|--------------|
| Copyright © 2000 Reyrolle Ltd. | 1 | 1/8/00 | CHANGE NOTED |
| | ISSUE | DATE | |

| | | | | | | | | | | | |
|---------------|---------|---------------------|---------------|----|-----|-----|----------------|-----|----|-----|----|
| DRAWN M LEASK | CHECKED | APPROVED R.D.WATSON | DATE 22/07/02 | IE | OPS | PCP | Purch.Spec. TQ | EAC | CE | STD | A3 |
|---------------|---------|---------------------|---------------|----|-----|-----|----------------|-----|----|-----|----|