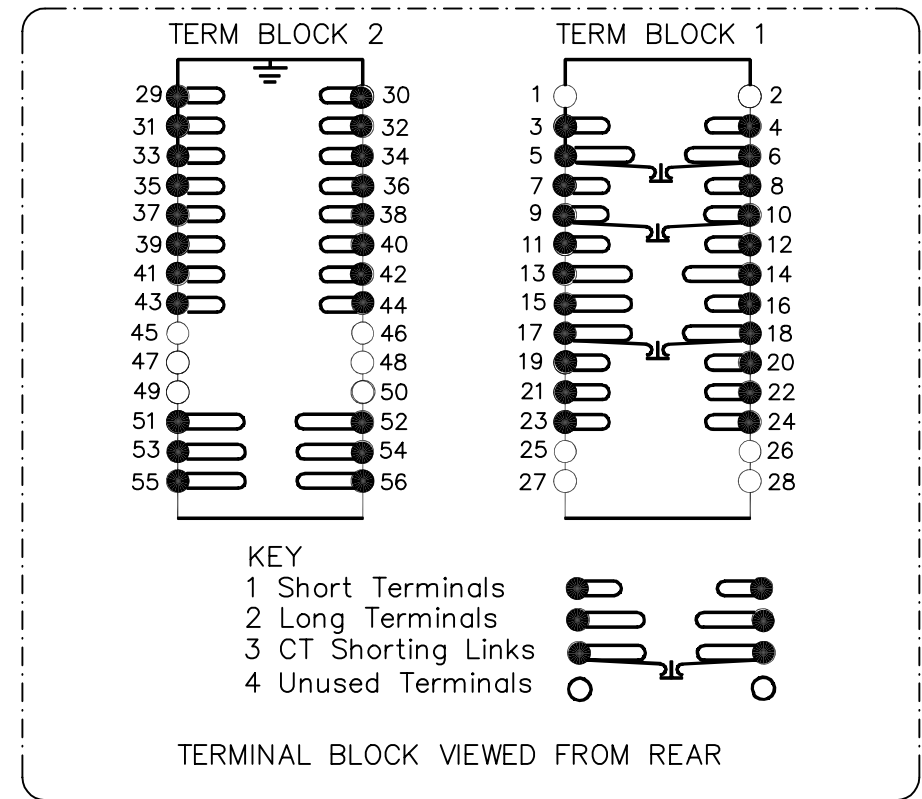
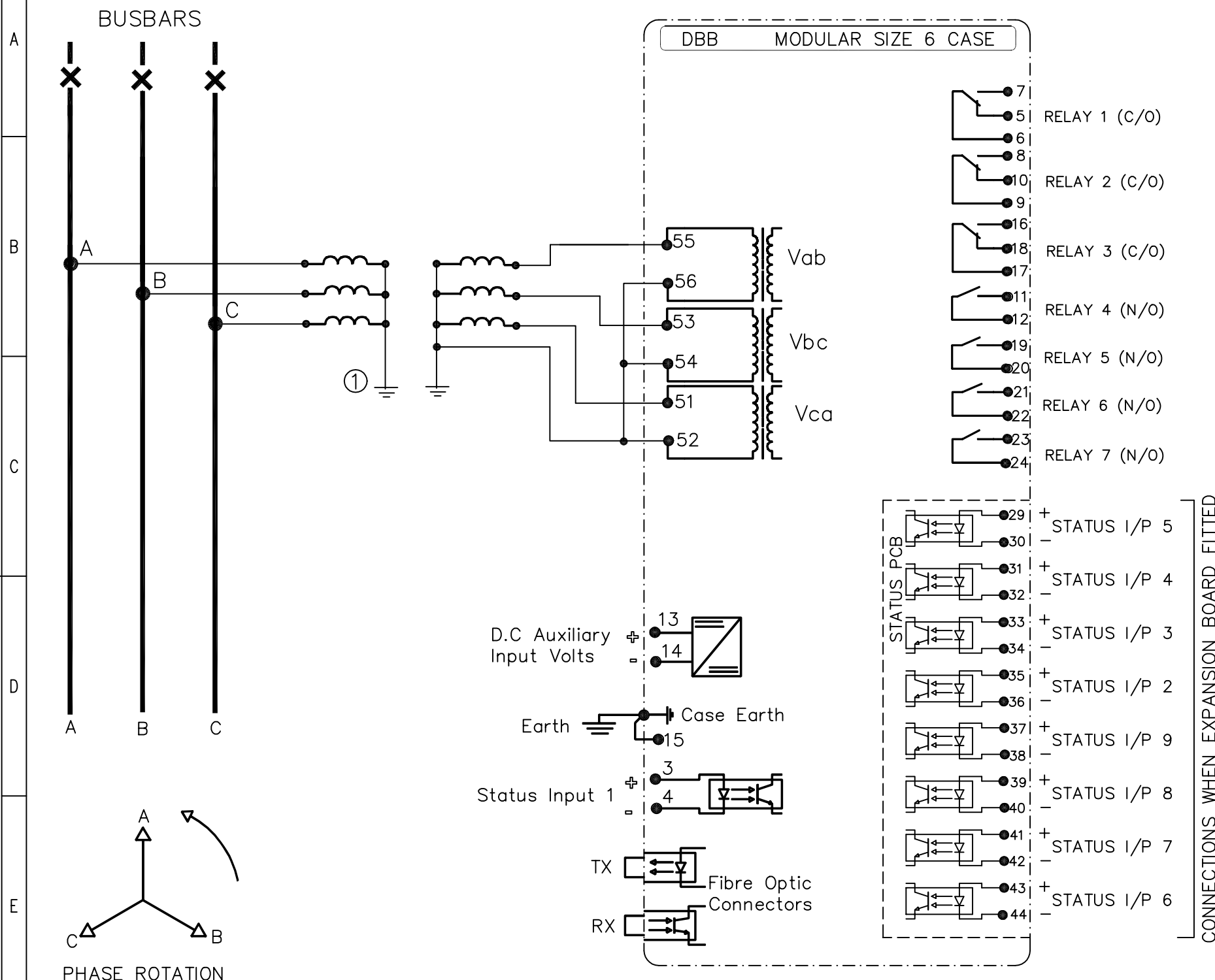


IF IN DOUBT ASK
DO NOT SCALE



NOTES
1 TYPICAL VT EARTHING.
2 FOR TYPICAL SCHEMATIC DIAGRAM SHOWING PHASE-PHASE CONNECTIONS SEE 2422W10004 (A3)

**NOT SUBJECT TO UPDATE
ONCE COPIED / PRINTED
OR DOWNLOADED**

MATERIAL:

Dimensions in millimetres : Surface texture in micrometres.
Machine where marked ✓
For explanation of dimensions, tolerances, notes etc. see B.S.308.
Limit on untoleranced unmachined dimensions ± _____
Limits on untoleranced machined dimensions to B.S.4500;
i.e. up to 6±0.1; over 30 to 120±0.3; over 315±0.8;
over 6 to 30±0.2; over 120 to 315±0.5;
General unmachined angular tolerance ± _____

Finish: _____
Treatment: _____

Title: TYPICAL SCHEMATIC DIAGRAM 3 PHASE VOLTAGE RELAY PHASE-NEUTRAL CONNECTIONS (OPTION C) ARGUS 8

**Reyrolle Protection
Hebburn.**

Original Scale: NTS

First used on: _____
Similar Articles: 2422W10003
Supersedes: _____
Drg. No. **2422W10006**

DRAWN M LEASK	CHECKED	APPROVED R.D.WATSON	DATE 22/07/02	IE	OPS	PCP	Purch.Spec. TQ	EAC	CE	STD	A3
---------------	---------	---------------------	---------------	----	-----	-----	----------------	-----	----	-----	----

Copyright © 1999 Reyrolle Ltd.

3 RDW	05/01/04	MN422/2604	SPK
2	19/4/02	MN434/2292	
1	28/11/99	CHANGE	
ISSUE	DATE	NOTED	△