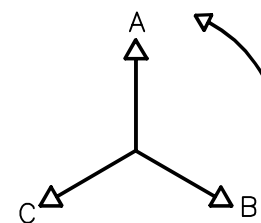
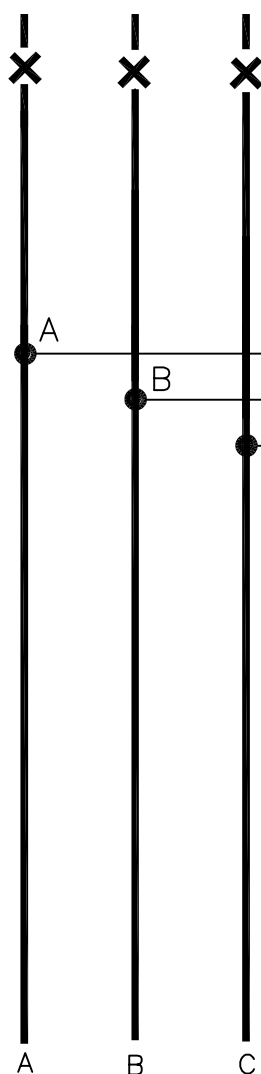


IF IN DOUBT ASK
DO NOT SCALE

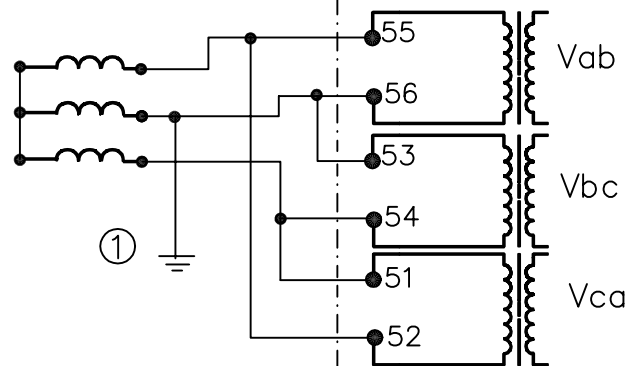
A
B
C
D
E

BUSBARS



PHASE ROTATION

DBB MODULAR SIZE 6 CASE



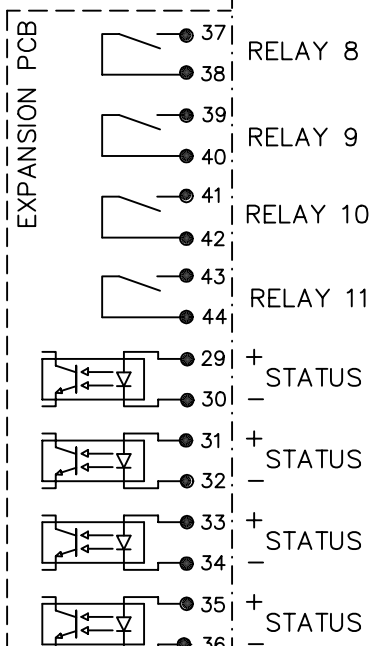
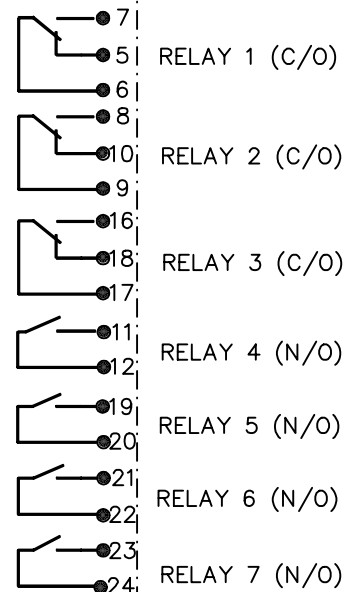
①

D.C Auxiliary Input Volts

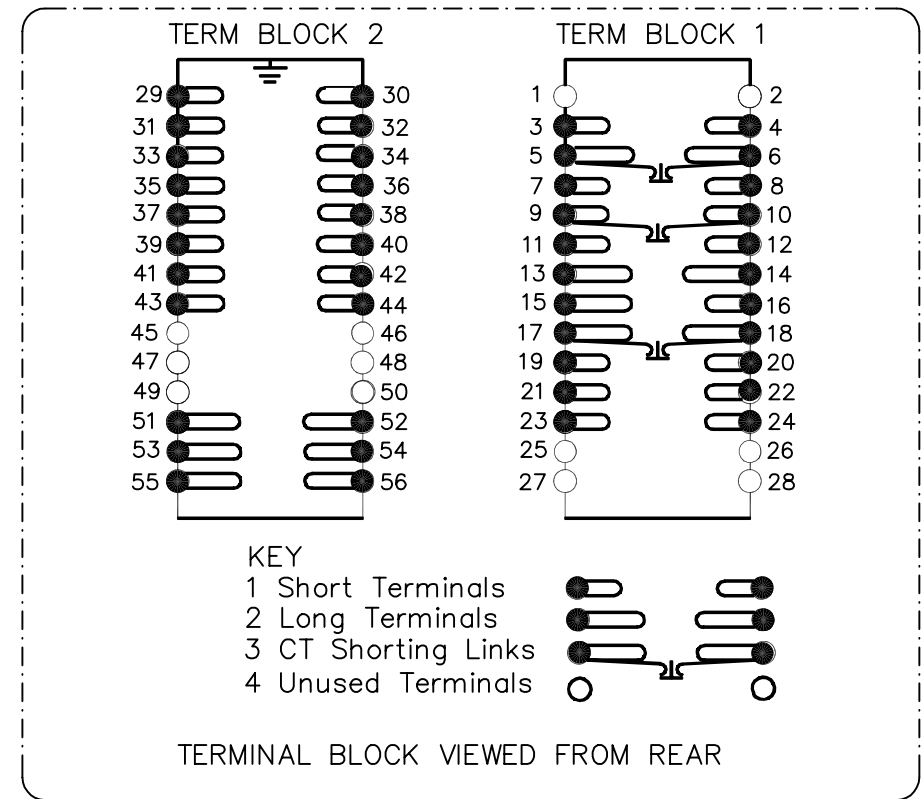
Earth Case Earth

Status Input 1

TX RX Fibre Optic Connectors



CONNECTIONS WHEN EXPANSION BOARD FITTED



NOTES

- 1 TYPICAL VT EARTHING.
- 2 FOR TYPICAL SCHEMATIC DIAGRAM SHOWING PHASE-NEUTRAL CONNECTIONS SEE 2422W10005 (A3)

NOT SUBJECT TO UPDATE
ONCE COPIED / PRINTED
OR DOWNLOADED

MATERIAL:

Dimensions in millimetres : Surface texture in micrometres.
Machine where marked ✓
For explanation of dimensions, tolerances, notes etc. see B.S.308.
Limit on untoleranced unmachined dimensions ± _____
Limits on untoleranced machined dimensions to B.S.4500;
i.e. up to 6±0.1; over 30 to 120±0.3; over 315±0.8;
over 6 to 30±0.2; over 120 to 315±0.5;
General unmachined angular tolerance ± _____

Finish:

Treatment:

Title:

TYPICAL SCHEMATIC DIAGRAM 3 PHASE VOLTAGE RELAY
PHASE-PHASE CONNECTIONS (OPTION B) ARGUS 8

Reyrolle Protection
Hebburn.

Original Scale.
NTS

First used on:

Similar Articles: 2422W10004

Supersedes:

Drq. No.

2422W10003

Copyright © 1999 Reyrolle Ltd.

3	RDW	05/01/04	MN422/2604	SPK
2		19/4/02	MN434/2292	
1		29/11/99	CHANGE	
ISSUE		DATE	NOTED	△