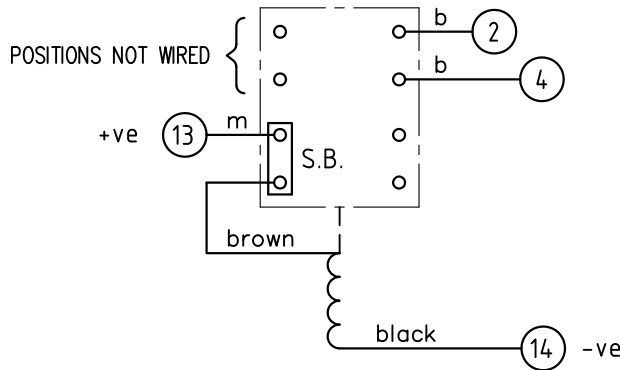


LOOKING ON FRONT OF RELAY

2112W50082

**FOR INTERNAL USE ONLY
UNCONTROLLED COPY
NOT SUBJECT TO UPDATE**



KEY

- make contact
- break contact
- c/o contact
- ext. conn plug bridge - shorting
- metering point
- 5Kv barrier
- test socket - shorting
- plug & socket

COIL		2112G20019	2112G20020	2112G20022	2112G20023	2112G20026	2112G20029
Vdc		24	30	50	60	125	240
CONTACT CONFIG.	OUTPUT CONTACT PAIR / TERMINAL No.						
1M 1SB	1-3 2-4 5-7 6-8 9-11 10-12	M					
1B 1SB		B					

ASSEMBLY WIRES USED

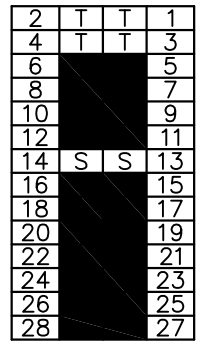
b	2107B10002	2 OFF
m	2107B10181	1 OFF

NOTE: WHEN RECTIFIER IS SPECIFIED COIL CONNS AND ADDITIONAL WIRES ARE AS SHOWN.

FRAME REFERENCE: E2FAQM.

FRAME TERMINAL BLOCK ASSY: -

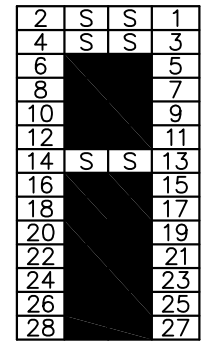
ASSEMBLY INSTRUCTIONS: -
TYPICAL ASSEMBLY DRAWING 2995G10032.
AT INDICATED POSITIONS FIT AS FOLLOWS:
T - FIT TRIP ISOLATION CONTACT 2995B10053
S - FIT STANDARD CONTACT 2995B10054
SECURE CONTACTS USING FIXING SCREW 2109F99009.
POSITIONS SHOWN BLANK ARE UNUSED



VIEW FROM NUMBERED SIDE OF BLOCK

OUTER TERMINAL BLOCK ASSY: -

ASSEMBLY INSTRUCTIONS: -
TYPICAL ASSEMBLY DRAWING 2995G10029.
AT INDICATED POSITIONS FIT AS FOLLOWS:
S - FIT STANDARD CONTACT 2995B10051
HC - FIT 'HEAVY CURRENT' KIT 2995G10030
WHERE IS SHOWN FIT CT SHORTING KIT 2995G10031
POSITIONS SHOWN BLANK ARE UNUSED.
ALL POSITIONS FIT SCREW 2106F12506.



VIEW FROM INSIDE FACE

4 N.C	19/06/15	MN112/3882
3 RDW	07/11/11	MN112/3474
2 RDW	16/01/04	MN112/2606
1	27/04/99	
ISSUE	DATE	MOD.No.

Title:
T.B. AND W.D. FOR AR112SB 2 CONTACT RELAYS IN EPSILON E2 CASE.

First used on:
Similar Articles:
Supersedes:
Drg.No. 2112W50082

**Reyrolle Protection
Hebburn.**

