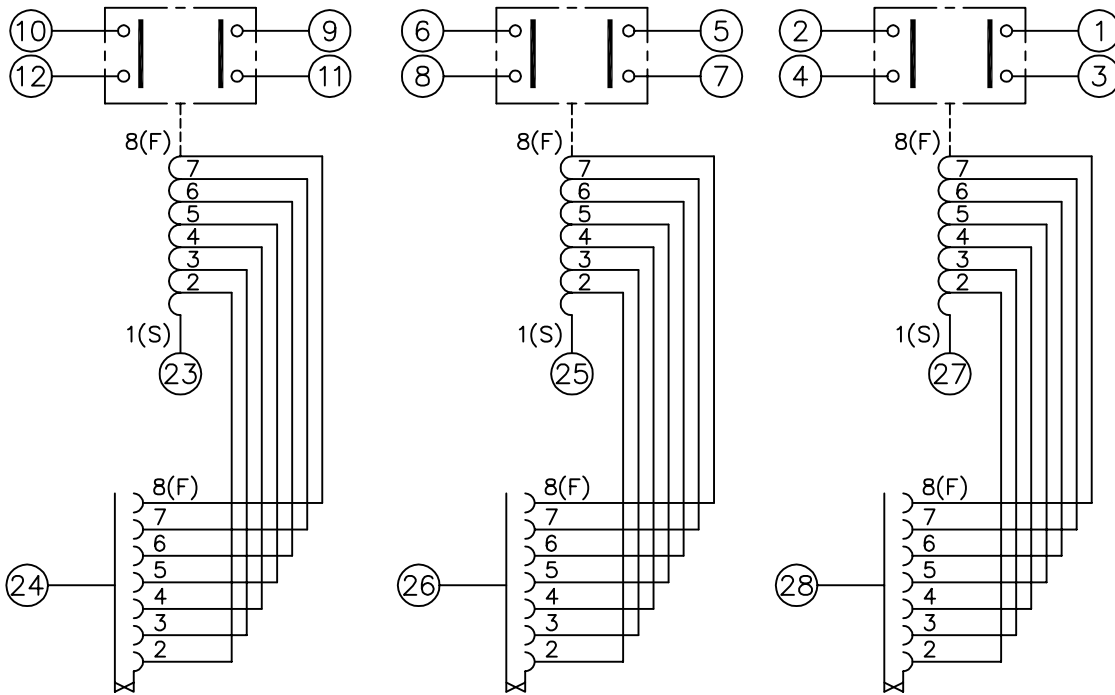


2320W50009

TOP
LOOKING ON FRONT OF RELAY



KEY

- ○ make contact
- □ break contact
- ○ ○ c/o contact
- ② ext. conn
- ⌋ plug bridge - shorting
- ⊖ metering point
- |— 5Kv barrier
- □ test socket - shorting
- ⊖ plug & socket

NOTE:

1. COIL AND PLUG BRIDGE WIRE IDENTITIES:
 1(S) = COIL START.
 8(F) = COIL FINISH.
 2 - 7 = COIL WINDING TAPS, 2 = 1st TAP, 3 = 2nd TAP ETC.

FOR INFORMATION ONLY
UNCONTROLLED COPY
NOT SUBJECT TO UPDATE

FRAME REFERENCE E6FS03

FRAME TERMINAL BLOCK ASSY: -

ASSEMBLY INSTRUCTIONS: -
 TYPICAL ASSEMBLY DRAWING 2995G10032.
 AT INDICATED POSITIONS FIT AS FOLLOWS,
 T - FIT TRIP ISOLATION CONTACT 2995B10053.
 S - FIT STANDARD CONTACT 2995B10054.
 SECURE CONTACTS USING FIXING SCREW 2109F99009.
 POSITIONS SHOWN BLANK ARE UNUSED.

2	T	T	1
4	T	T	3
6	T	T	5
8	T	T	7
10	T	T	9
12	T	T	11
14			13
16			15
18			17
20			19
22			21
24	S	S	23
26	S	S	25
28	S	S	27

VIEW FROM NUMBERED SIDE OF BLOCK

OUTER TERMINAL BLOCK ASSY: -

ASSEMBLY INSTRUCTIONS: -

TYPICAL ASSEMBLY DRAWING 2995G10029.
 AT INDICATED POSITIONS FIT AS FOLLOWS,
 S - FIT STANDARD CONTACT 2995B10051
 HC - FIT 'HEAVY CURRENT' KIT 2995G10030.
 WHERE ○ ○ IS SHOWN FIT CT SHORTING KIT 2995G10031
 POSITIONS SHOWN BLANK ARE UNUSED
 ALL POSITIONS FIT SCREW 2106F12506

2	S	S	1
4	S	S	3
6	S	S	5
8	S	S	7
10	S	S	9
12	S	S	11
14			13
16			15
18			17
20			19
22			21
24	○ ○		23
26	○ ○		25
28	○ ○		27

VIEW FROM INSIDE FACE

Copyright © 2000 VA TECH Reyrolle Ltd. Hebburn

			Title: T.B. AND WIRING DIAGRAM FOR B69 (3P) RELAY IN EPSILON E6 CASE.	First used on:	
				Similar Articles:	
				Supersedes:	
3 ROW 05/08/05 MN320/2725 2 10/04/00 MN995/09			Original Scale:	Drg.No. 2320W50009	
VA TECH Reyrolle AUTOMATION, CONTROL & PROTECTION					
DRAWN: T.CARR	CHECKED:	APPROVED: R.D.WATSON	DATE: 19/07/02	IE:	OPS: