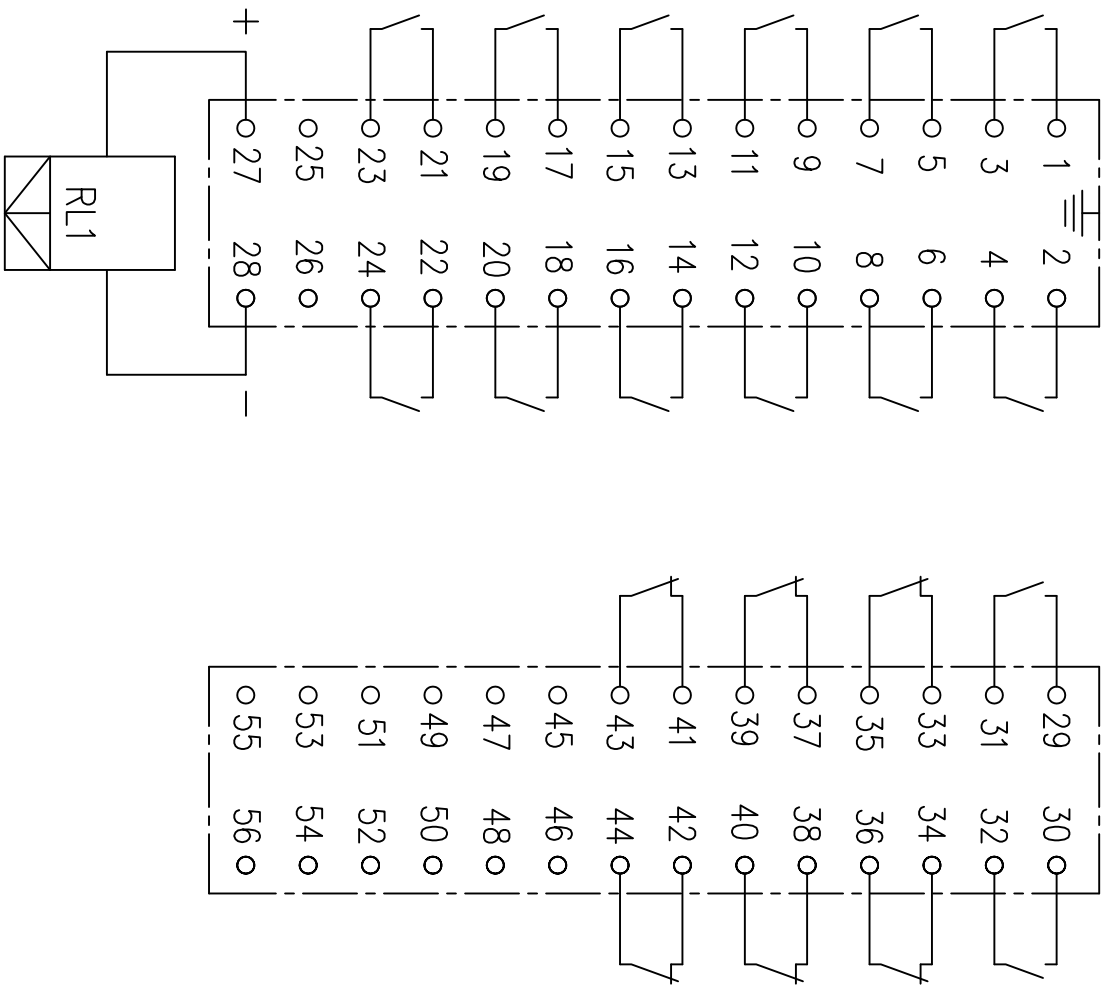


2112W50247



KEY

- make contact
- break contact
- c/o contact
- ext. conn

Title: WIRING DIAGRAM FOR 14M06B LATCHING HAND RESET TRIP RELAY (E4)

Original Scale: Drg.No. 2112W50247

ISSUE 1 DATE 26/08/14 MOD.No. SIEMENS PROTECTION DEVICES LTD. APPROVED: N.C DATE: 26/08/2014 SHEET 1/2

FOR INTERNAL USE ONLY
UNCONTROLLED COPY
NOT SUBJECT TO UPDATE

2112W50247

OUTER TERMINAL BLOCK ASSY:-
ASSEMBLY INSTRUCTIONS:-
 TYPICAL ASSEMBLY DRAWING 2995G10029.
 AT INDICATED POSITIONS FIT AS FOLLOWS:
 S - FIT STANDARD CONTACT 2995B10051
 HC - FIT 'HEAVY CURRENT' KIT 2995G10030
 WHERE IS SHOWN FIT CT SHORTING
 KIT 2995G10031
 POSITIONS SHOWN BLANK ARE UNUSED.
 ALL POSITIONS FIT SCREW 2106F12506.

30	S	S	29	2	S	S	1
32	S	S	31	4	S	S	3
34	S	S	33	6	S	S	5
36	S	S	35	8	S	S	7
38	S	S	37	10	S	S	9
40	S	S	39	12	S	S	11
42	S	S	41	14	S	S	13
44	S	S	43	16	S	S	15
46			45	18	S	S	17
48			47	20	S	S	19
50			49	22	S	S	21
52			51	24	S	S	23
54			53	26	S	S	25
56			55	28	S	S	27

VIEW FROM INSIDE
FACE

FRAME TERMINAL BLOCK ASSY:-
ASSEMBLY INSTRUCTIONS:-
 TYPICAL ASSEMBLY DRAWING 2995G10032.
 AT INDICATED POSITIONS FIT AS FOLLOWS:
 T - FIT TRIP ISOLATION CONTACT 2995B10053
 S - FIT STANDARD CONTACT 2995B10054
 SECURE CONTACTS USING FIXING SCREW 2109F99009.
 POSITIONS SHOWN BLANK ARE UNUSED

30	T	T	29	2	T	T	1
32	T	T	31	4	T	T	3
34	T	T	33	6	T	T	5
36	T	T	35	8	T	T	7
38	T	T	37	10	T	T	9
40	T	T	39	12	T	T	11
42	T	T	41	14	T	T	13
44	T	T	43	16	T	T	15
46			45	18	T	T	17
48			47	20	T	T	19
50			49	22	T	T	21
52			51	24	T	T	23
54			53	26	S	S	25
56			55	28	S	S	27

VIEW FROM NUMBERED
SIDE OF BLOCK

Title: TERMINAL BLOCK DIAGRAM FOR 14M06B LATCHING HAND RESET TRIP RELAY (E4)

Original Scale: Drg.No. 2112W50247

ISSUE 1 DATE 26/08/14 MOD.No. SIEMENS PROTECTION DEVICES LTD. APPROVED: N.C DATE: 26/08/2014 SHEET 2/2