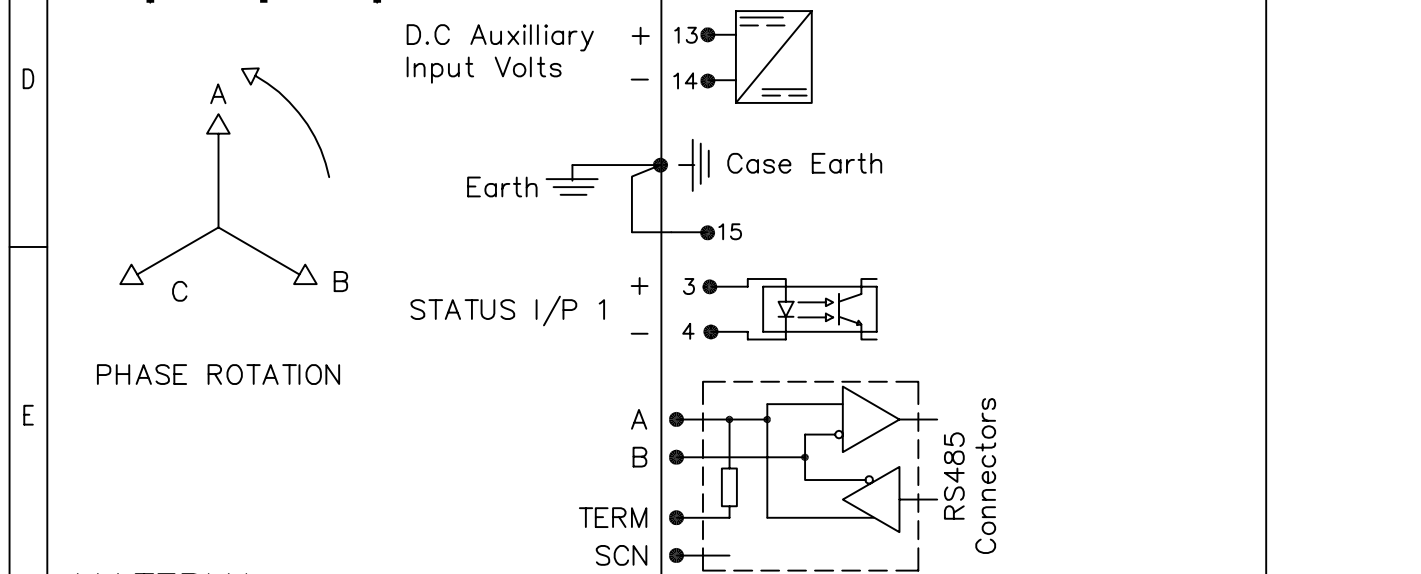
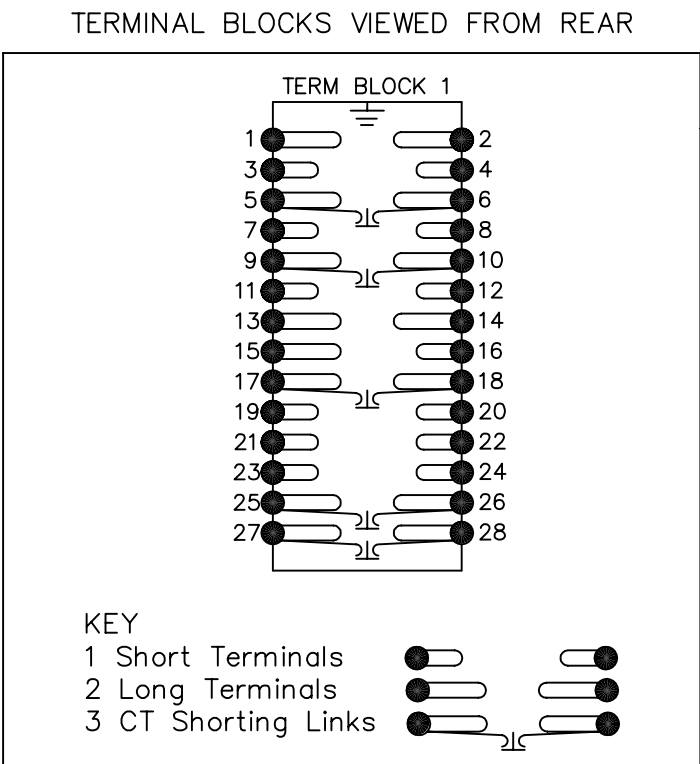
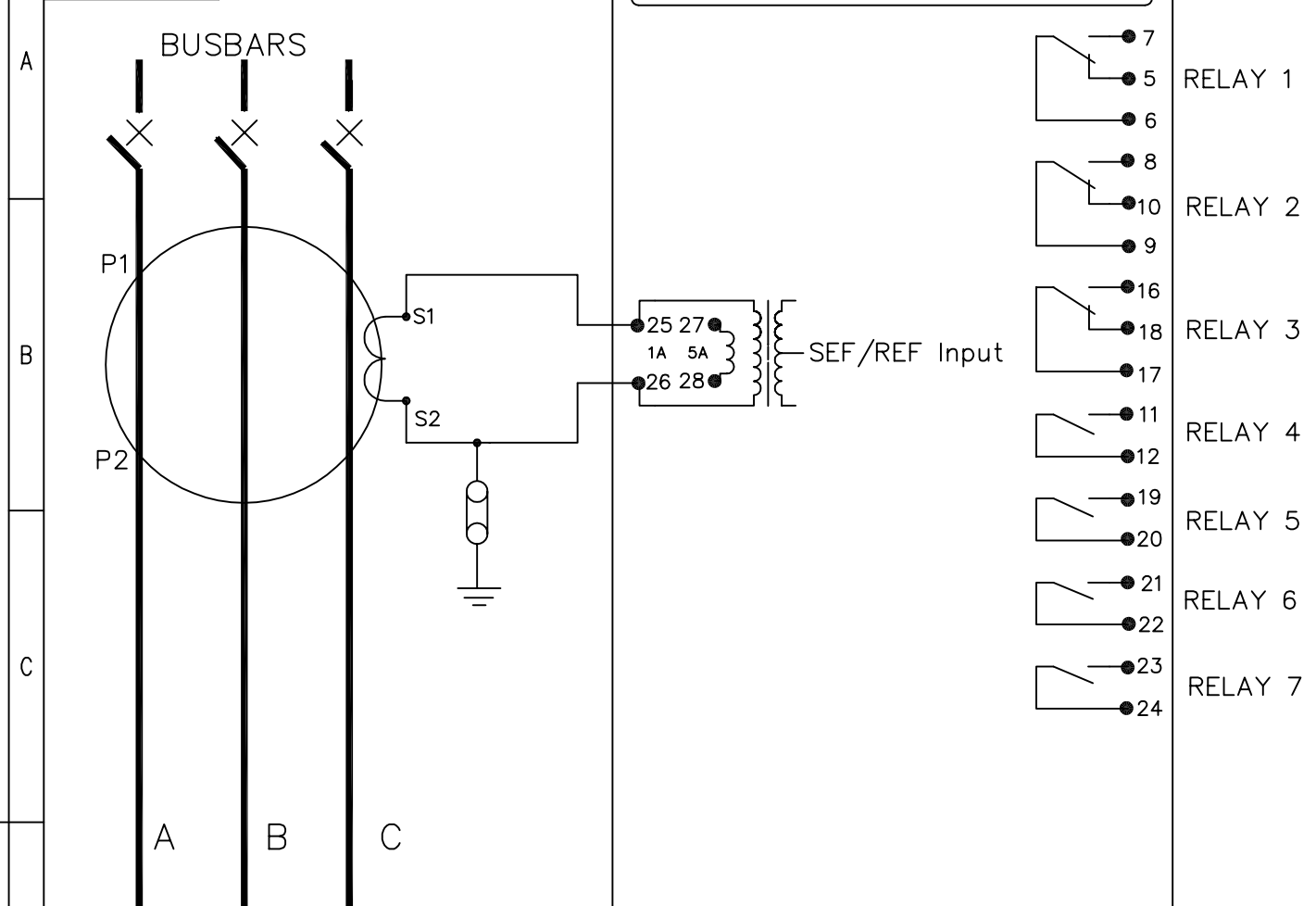


IF IN DOUBT ASK
DO NOT SCALE

DCD12xA (ARGUS 1) MODULAR SIZE 4 CASE



- NOTES
1. CT CIRCUITS ARE SHOWN CONNECTED TO RELAY 1 AMP TAP. USE ALTERNATIVE TAP FOR 5AMP RATED CTs.
 2. CT & EARTH CONNECTIONS ARE TYPICAL ONLY.
 3. FOR TERMINAL DIAGRAM SEE 2434W50007 (A2).

**FOR INFORMATION ONLY
UNCONTROLLED COPY
NOT SUBJECT TO UPDATE**

MATERIAL:

Dimensions in millimetres : Surface texture in micrometres.
Machine where marked ✓
For explanation of dimensions, tolerances, notes etc. see B.S.308.
Limit on untoleranced unmachined dimensions ± _____
Limits on untoleranced machined dimensions to B.S.4500;
i.e. up to 6±0.1; over 30 to 120±0.3; over 315±0.8;
over 6 to 30±0.2; over 120 to 315±0.5;
General unmachined angular tolerance ± _____

Finish:
Treatment:

Title:
TYPICAL SCHEMATIC DIAGRAM SINGLE PH. SEF/REF RS485
ARGUS 1 NUMERIC OVERCURRENT PROTECTION EPSILON

VATECH REYROLLE
AUTOMATION, CONTROL & PROTECTION

Original Scale:
NTS

First used on:
Similar Articles: 2434W10048
Supersedes:
Drg. No.
2434W10102

1	12/08/04	CHANGE NOTED
ISSUE	DATE	NOTED