

IF IN DOUBT ASK
DO NOT SCALE

DCD12xA (ARGUS 1) MODULAR SIZE 4 CASE

A

B

C

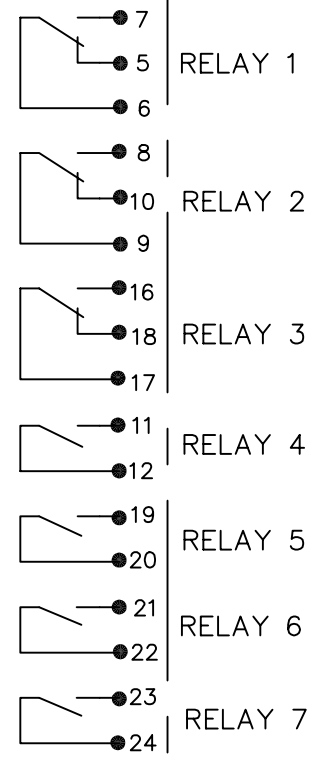
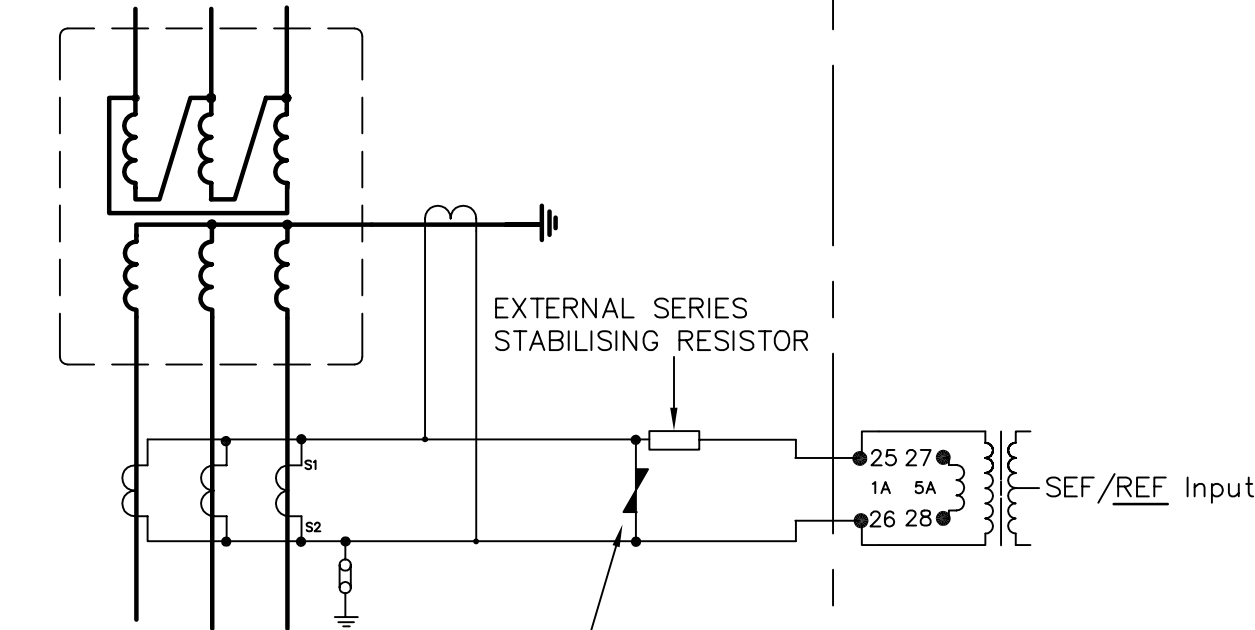
D

E

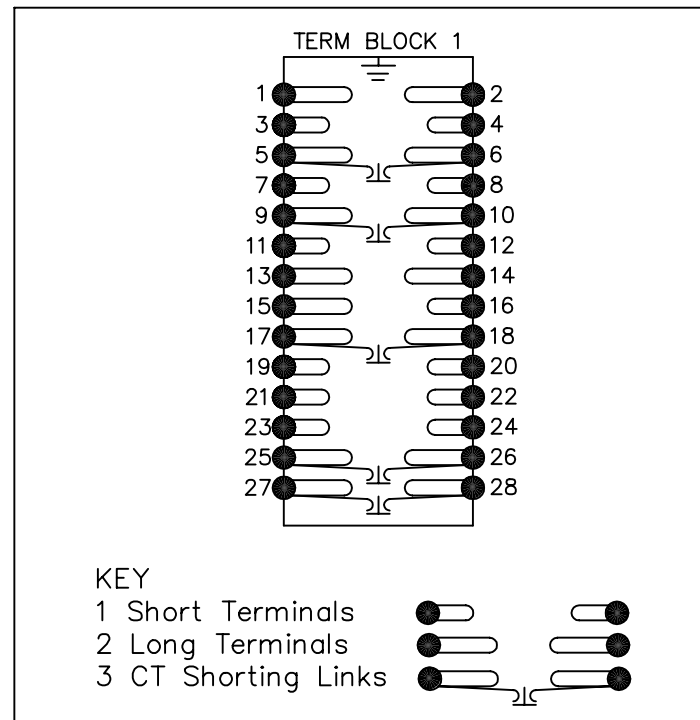
F

NOTES

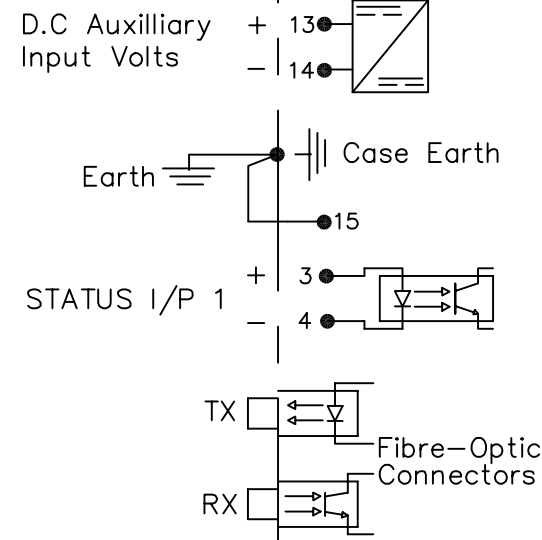
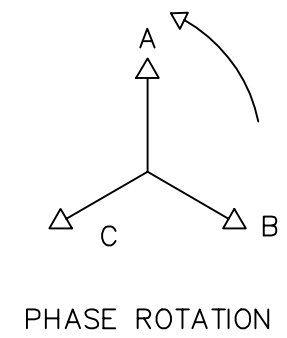
- 1 CT CIRCUITS ARE SHOWN CONNECTED TO RELAY 1 AMP TAP. USE ALTERNATIVE TAP FOR 5AMP RATED CTs.
- 2 CT & EARTH CONNECTIONS ARE TYPICAL ONLY.
- 3 EXTERNAL N.L.R & STABILISING RESISTOR REQUIRED FOR HIGH IMPEDANCE RESTRICTED EARTH FAULT APPLICATIONS. REFER TO APPLICATION GUIDE 990/TIR/06/1
- 4 FOR TERMINAL DIAGRAM SEE 2434W50002 (A2)



TERMINAL BLOCKS VIEWED FROM REAR



**NOT SUBJECT TO UPDATE
ONCE COPIED / PRINTED
OR DOWNLOADED**



MATERIAL:

Dimensions in millimetres : Surface texture in micrometres. Machine where marked ✓
 For explanation of dimensions, tolerances, notes etc. see B.S.308.
 Limit on untoleranced unmachined dimensions ± _____
 Limits on untoleranced machined dimensions to B.S.4500; i.e. up to 6±0.1; over 30 to 120±0.3; over 315±0.8; over 6 to 30±0.2; over 120 to 315±0.5;
 General unmachined angular tolerance ± _____

Finish: _____
 Treatment: _____

Title: TYPICAL SCHEMATIC DIAGRAM SINGLE POLE SEF/REF NUMERIC OVERCURRENT PROTECTION (ARGUS 1) EPSILON CASE APPLIED TO PROVIDE REF PROTECTION

Reyrolle Protection Hebburn.

Original Scale: NTS

First used on: _____
 Similar Articles: _____
 Supersedes: _____
 Drg. No. 2434W10084

Copyright © 2002 Reyrolle Ltd.

2	21/8/02	MN434/2368
1	06/06/02	CHANGE NOTED
ISSUE	DATE	NOTED