

IF IN DOUBT ASK
DO NOT SCALE

A

B

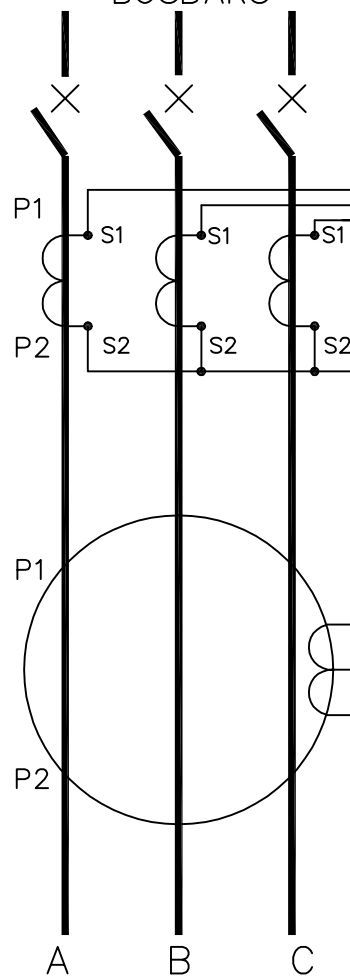
C

D

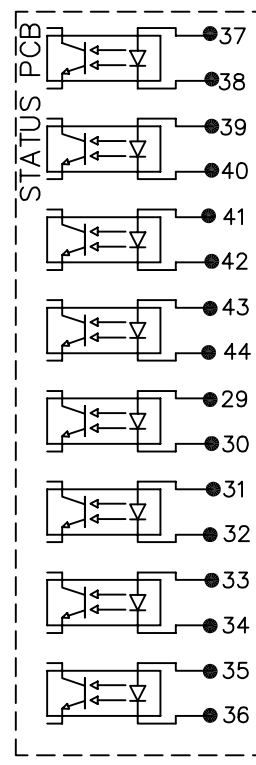
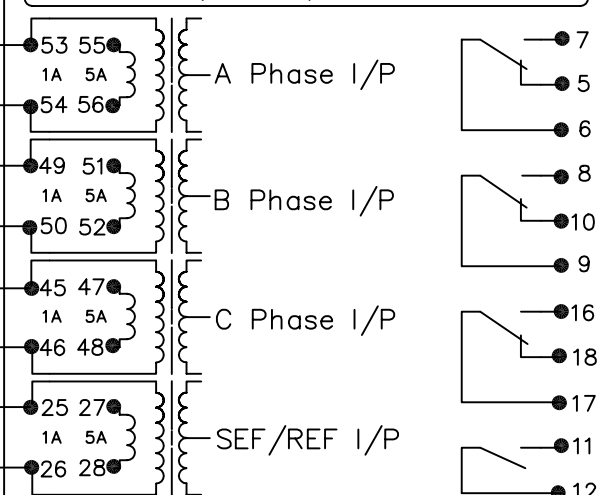
E

F

BUSBARS



DCD42XC (ARGUS 1) MODULAR SIZE 6 CASE



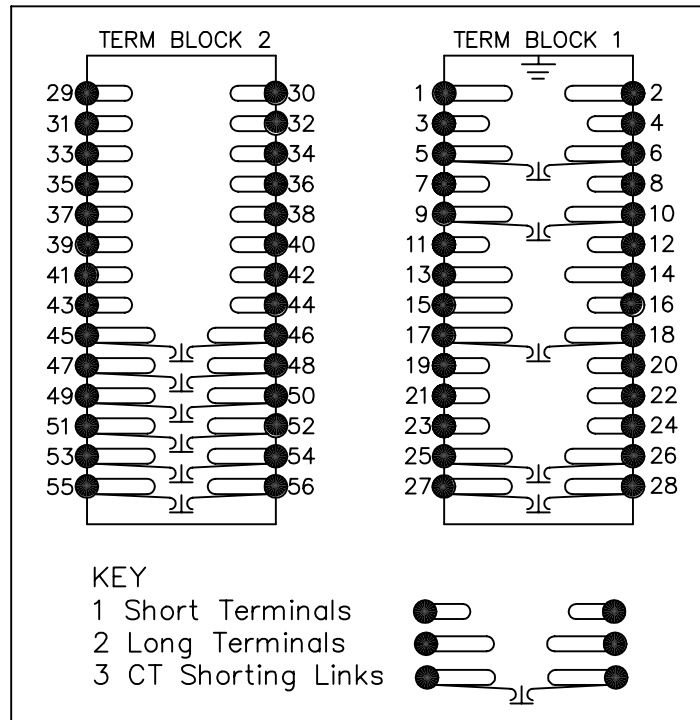
D.C. Auxilliary Input Volts
+ 13
- 14

Earth
Case Earth
15

STATUS I/P 1
+ 3
- 4

TX
RX
Fibre-Optic SMA Connectors

TERMINAL BLOCKS VIEWED FROM REAR



- NOTES
- 1 CT CIRCUITS ARE SHOWN CONNECTED TO RELAY 1 AMP TAP. USE ALTERNATIVE TAP FOR 5AMP RATED CTs.
 - 2 CT & EARTH CONNECTIONS ARE TYPICAL ONLY.
 - 3 METROSIL & SETTING RESISTORS ARE REQUIRED FOR HIGH IMPEDANCE & RESTRICTED EARTH FAULT APPLICATIONS.
 - 4 FOR TERMINAL DIAGRAM SEE 2434W50001 (A2)
 - 5 DRG SHOWS OPTION C (7 OUTPUTS, 9 INPUTS)

**NOT SUBJECT TO UPDATE
ONCE COPIED / PRINTED
OR DOWNLOADED**

MATERIAL:

Dimensions in millimetres : Surface texture in micrometres.
Machine where marked ✓
For explanation of dimensions, tolerances, notes etc. see B.S.308.
Limit on untoleranced unmachined dimensions ± _____
Limits on untoleranced machined dimensions to B.S.4500;
i.e. up to 6±0.1; over 30 to 120±0.3; over 315±0.8;
over 6 to 30±0.2; over 120 to 315±0.5;
General unmachined angular tolerance ± _____

Finish: _____
Treatment: _____

Title:
TYPICAL SCHEMATIC DIAGRAM FOR 3 PHASE + SEF/REF
NUMERIC OVERCURRENT PROTECTION (ARGUS 1) EPSILON

**Reyrolle Protection
Hebburn.**

Original Scale:
NTS

First used on:
Similar Articles: 2434W10033
Supersedes:
Drg. No.
2434W10060