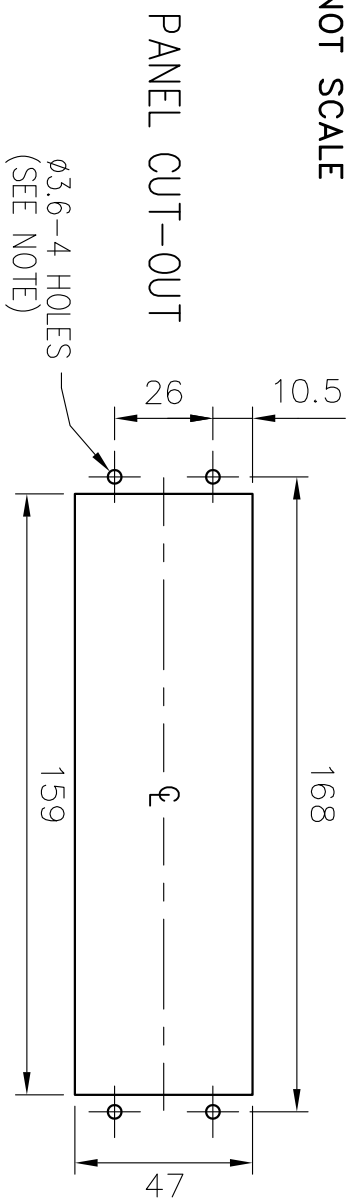
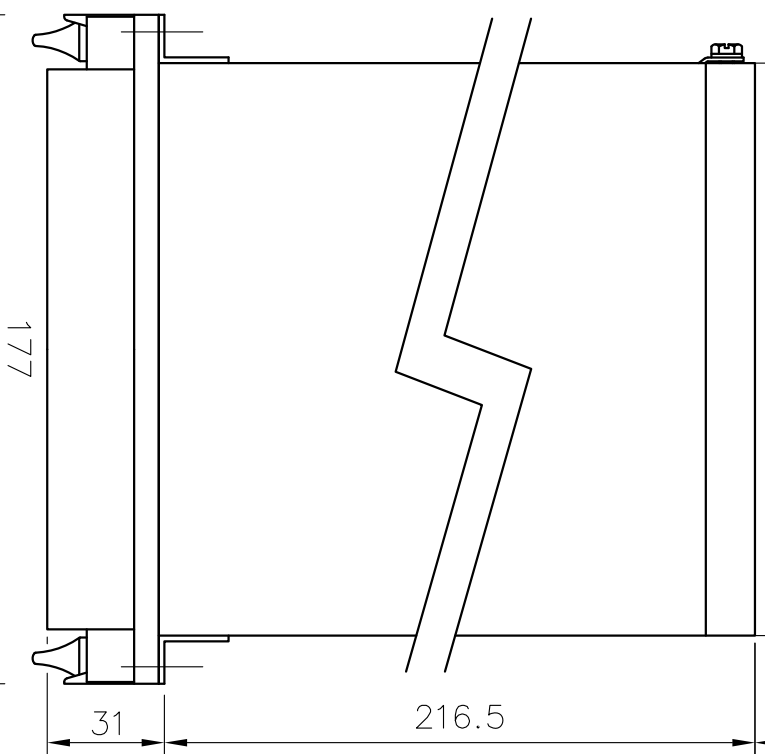
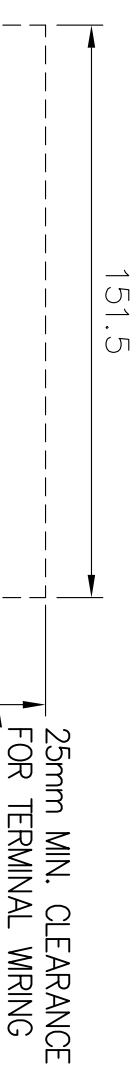


IF IN DOUBT ASK  
DO NOT SCALE



NOTE

THE Ø3.6 HOLES ARE FOR M4 THREAD FORMING (TRILOBULAR) SCREWS. THESE ARE SUPPLIED AS STANDARD AND ARE SUITABLE FOR USE IN FERROUS/ALUMINIUM PANELS 1.6mm THICK AND ABOVE. FOR OTHER PANELS, HOLES TO BE M4 CLEARANCE (TYPICALLY Ø4.5) AND RELAYS MOUNTED USING M4 MACHINE SCREWS, NUTS AND LOCKWASHERS (SUPPLIED IN PANEL FIXING KIT).



NOT SUBJECT TO UPDATE  
ONCE COPIED / PRINTED  
OR DOWNLOADED

**MATERIAL:**

Dimensions in millimetres : Surface texture in micrometres.

Machine where marked ✓

For explanation of dimensions, tolerances, notes etc. see B.S.308.

Limit on untoleranced unmachined dimensions ±

ie. up to 6±0.1; over 30 to 120±0.3; over 315±0.8;

over 6 to 30±0.2; over 120 to 315±0.5;

General unmachined angular tolerance ±

Finish:

Treatment:

Title:

OVERALL DIMENSIONS AND PANEL DRILLING FOR HORIZONTALLY  
EPSILON E2 CASE

**SIEMENS PROTECTION DEVICES LTD.**

Original Scale.

1:2

First used on:

ISSUE	DATE	CHANGE NOTED
1	26/06/2013	CHANGE

Similar Articles: 2995X10002 (VERTICALLY MOUNTED)

Supersedes:

Drg. No.

2995X10022

Copyright © 2013 Siemens Protection Devices Ltd. Hebburn

DRAWN J. BURNETT

CHECKED RD. WATSON

APPROVED RD. WATSON

DATE 25/09/2013

IE

OPS

PCP

Purch. Spec. TQ

EAC

CE

STD

A3