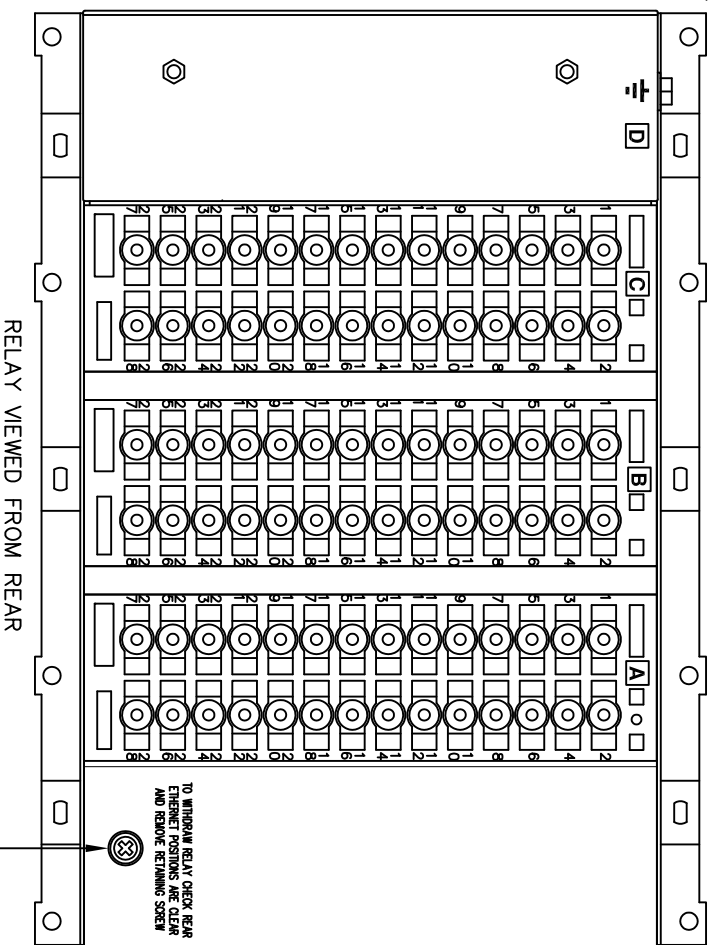
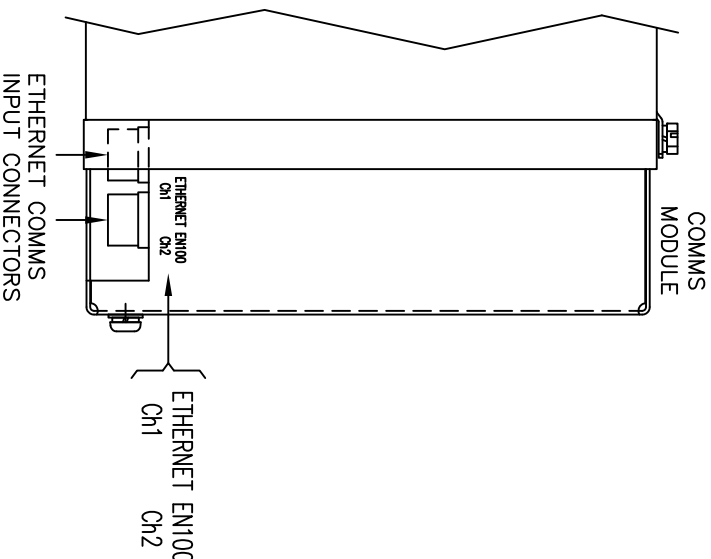


IF IN DOUBT ASK  
DO NOT SCALE



TO WITHDRAW RELAY CHECK REAR  
ETHERNET POSITIONS ARE CLEAR  
AND REMOVE RETAINING SCREW

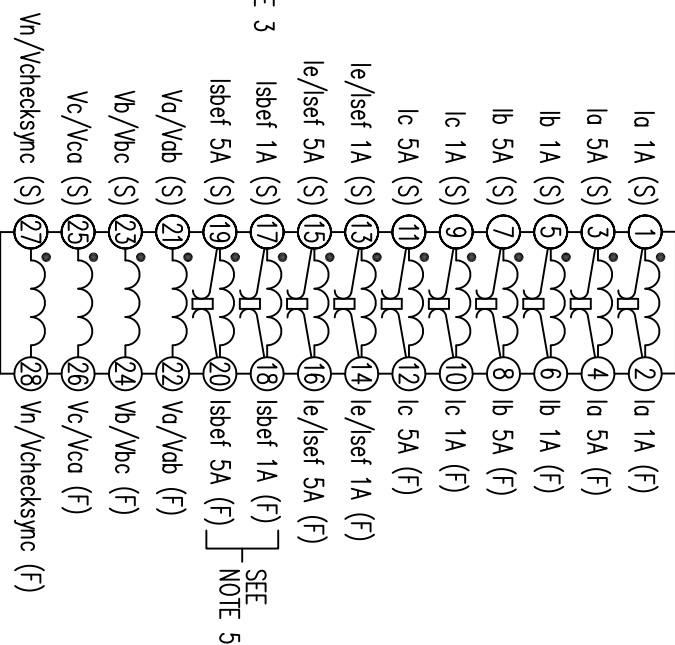
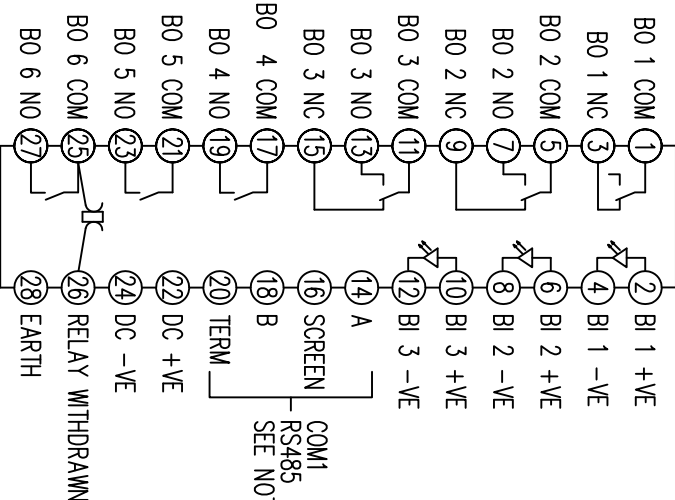
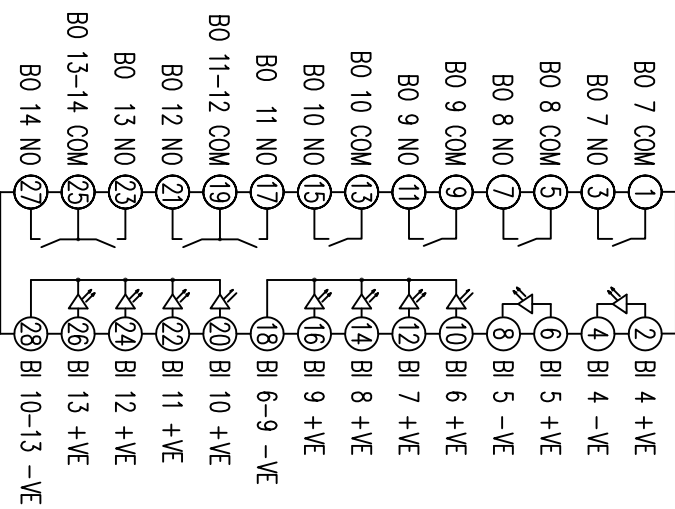


PART SIDE VIEW ON ARROW 'A'

NOT SUBJECT TO UPDATE  
ONCE COPIED / PRINTED  
OR DOWNLOADED



D BLANK



A

Copyright © 2009 Siemens Protection Devices Ltd. Hebburn

3 RDW	30/7/13	19.07.13	CHANGED. MNA435/3650, 341770, KB
2 RDW	22/07/11	11.07.11	61850 COMMS ADDED MNS3444 KB 341139
1	19/05/09	05.05.09	340629



MATERIAL: Surface texture in micrometres.

Dimensions in millimetres : Surface texture in micrometres.  
Machine where marked V

For explanation of dimensions, tolerances, notes etc. see B.S.308.

Limits on untoleranced machined dimensions ±  
i.e. up to 6±0.1; over 30 to 120±0.3; over 315±0.8;

General unmachined angular tolerance ±

Finish:

Treatment:

Title:

7SR224, E10, TERMINAL ID & WIRING DIAGRAM  
5I,4V,13BI,2C0,11NO,1NC, RS485 & ETHERNET(x2) COMMS

Original Scale.

SIEMENS PROTECTION DEVICES LTD.

NTS

Dwg. No.

2435W40035

DRAWN MM/AL

CHECKED RD.WATSON

APPROVED RD.WATSON

DATE 29/06/09

IE

OPS

PCP

Purch. Spec. TQ

EAC

CE

STD

A3

ABBREVIATIONS

I-CURRENT INPUTS
V-VOLTAGE INPUTS
BI-BINARY INPUTS
BO-BINARY OUTPUTS
CO-CHANGE OVER BINARY OUTPUT CONTACTS
NO-NORMALLY OPEN BINARY OUTPUT CONTACTS
NC-NORMALLY CLOSED BINARY OUTPUT CONTACTS

SERIAL PORT IDENTIFICATION

COM1	RS485 (ON BLOCK 'B' TERMINALS 14,16,18 & 20)
COM2	USB TYPE 'B' PORT (ON RELAY FRONT LABEL)

ETHERNET PORT IDENTIFICATION

Ch1	ETHERNET PORT (ON REAR COMMS MODULE)
Ch2	ETHERNET PORT (ON REAR COMMS MODULE)

NOTES

- 1) TERMINALS RECOMMENDED ARE PRE-INSULATED & MUST BE CRIMPED USING APPROVED TOOLING.  
AMP P1DG OR PLASTI GRIP FUNNEL ENTRY (RING TONGUE) FOR M4 FIXING STUD.
- 2) FOR OUTLINE & PANEL DRILLING, SEE 2995X10021 (A4).
- 3) CONNECTIONS TO THIS COMMUNICATIONS FACILITY IS BY SCREENED, TWISTED PAIR CABLE, ON SITE.  
WHEN WIRING OTHER FACILITIES ENSURE THAT THESE TERMINALS ARE NOT OBSCURED BY OTHER WIRE RUNS.
- 4) CONTACTS SHOWN THUS ARE INTERNAL RELAY CASE CONTACTS AND CLOSE WHEN THE RELAY CHASSIS IS WITHDRAWN FROM THE CASE.
- 5) THESE CTs ALTHOUGH FITTED ARE NOT ACTIVE IN 7SR224 MODELS.
- 6) THE ETHERNET PORTS CAN BE EITHER -  
2xFIBRE OPTIC, DUPLEX CONNECTORS OR  
2XELECTRICAL, RJ45 CONNECTORS.

SUPPLIER PART NUMBER

AMP	342103	CABLE SIZE	0.25-1.6mm <sup>2</sup>
AMP	342143		1.0-2.6mm <sup>2</sup>

OR ANY OTHER MANUFACTURERS EQUIVALENT TERMINAL.