

IF IN DOUBT ASK
DO NOT SCALE

A

B

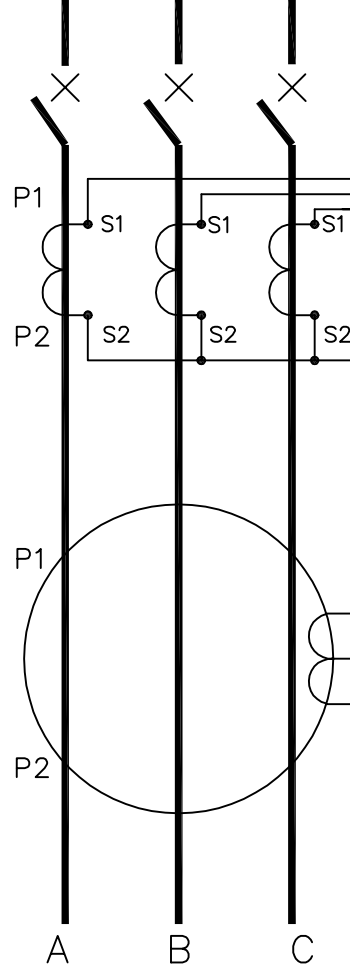
C

D

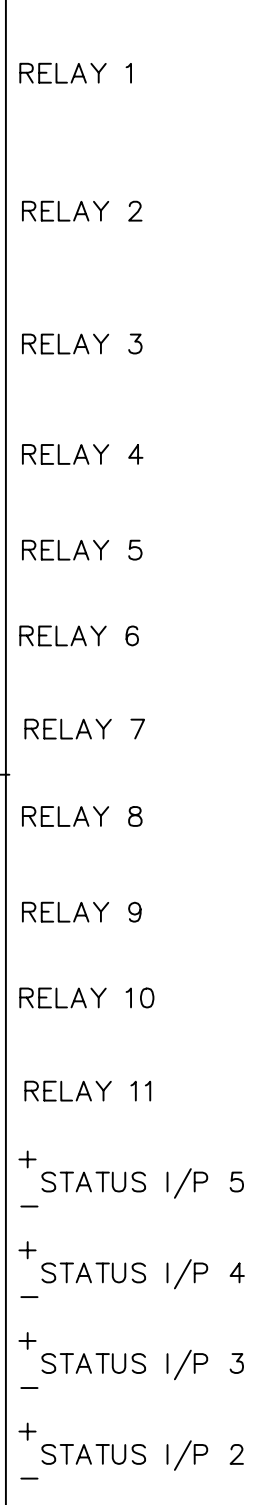
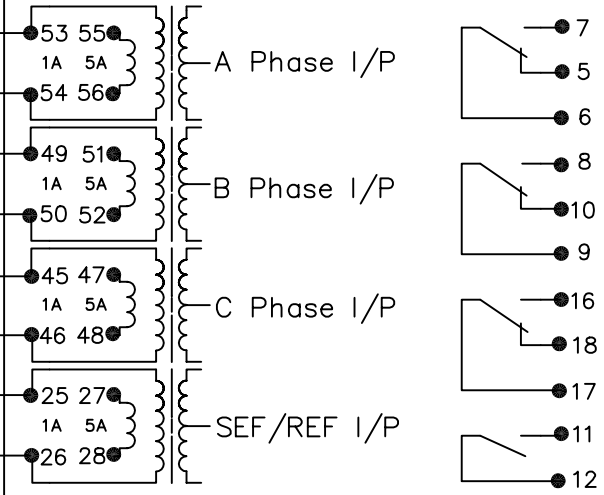
E

F

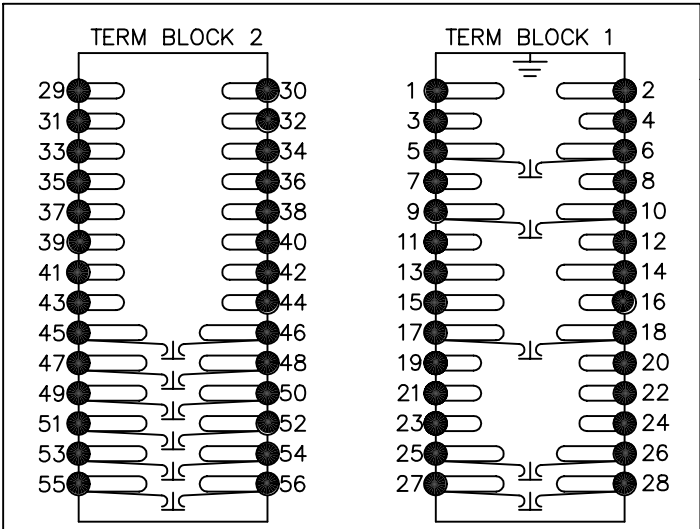
BUSBARS



DCD42xB (ARGUS 1) MODULAR SIZE 6 CASE



TERMINAL BLOCKS VIEWED FROM REAR



KEY
1 Short Terminals
2 Long Terminals
3 CT Shorting Links

**NOT SUBJECT TO UPDATE
ONCE COPIED / PRINTED
OR DOWNLOADED**

- NOTES
- 1 CT CIRCUITS ARE SHOWN CONNECTED TO RELAY 1 AMP TAP. USE ALTERNATIVE TAP FOR 5AMP RATED CTs.
 - 2 CT & EARTH CONNECTIONS ARE TYPICAL ONLY.
 - 3 METROSIL & SETTING RESISTORS ARE REQUIRED FOR HIGH IMPEDANCE & RESTRICTED EARTH FAULT APPLICATIONS.
 - 4 FOR TERMINAL DIAGRAM SEE 2434W50001 (A2)
 - 5 DRG SHOWS OPTION A (7 OUTPUTS, 1 INPUT) DRG SHOWS OPTION B (11 OUTPUTS, 5 INPUTS)

MATERIAL:

Dimensions in millimetres : Surface texture in micrometres.
Machine where marked ✓
For explanation of dimensions, tolerances, notes etc. see B.S.308.
Limit on untoleranced unmachined dimensions ± _____
Limits on untoleranced machined dimensions to B.S.4500;
i.e. up to 6±0.1; over 30 to 120±0.3; over 315±0.8;
over 6 to 30±0.2; over 120 to 315±0.5;
General unmachined angular tolerance ± _____

Finish: _____
Treatment: _____

Title: TYPICAL SCHEMATIC DIAGRAM FOR 3 PHASE + SEF/REF
NUMERIC OVERCURRENT PROTECTION (ARGUS 1) EPSILON
**Reyrolle Protection
Hebburn.**

First used on: _____
Similar Articles: 2434W10015
Supersedes: _____
Original Scale: NTS
Drg. No. 2434W10059

DRAWN M LEASK	CHECKED	APPROVED R.D.WATSON	DATE 23/07/02	IE	OPS	PCP	Purch.Spec. TQ	EAC	CE	STD	A3
---------------	---------	---------------------	---------------	----	-----	-----	----------------	-----	----	-----	----

Copyright © 1999 Reyrolle Ltd.

2	18/4/02	MN434/2292
1	22/11/99	CHANGE NOTED