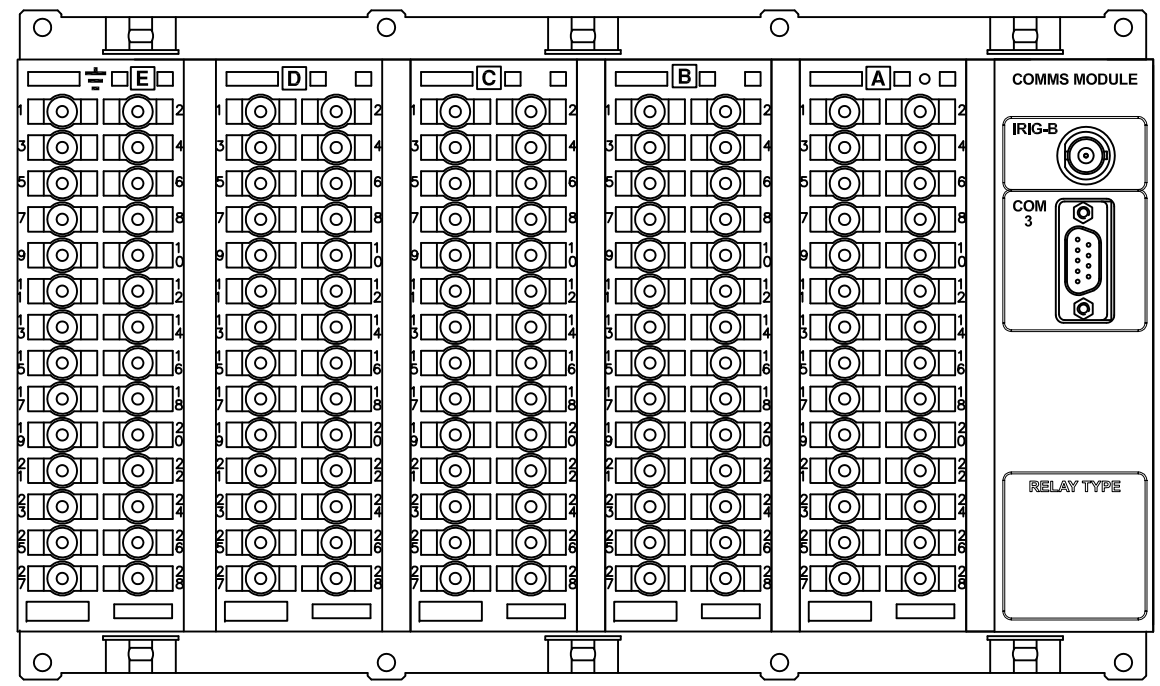


IF IN DOUBT ASK
DO NOT SCALE

| ABBREVIATIONS | |
|---------------|----------------------------------------|
| I- | CURRENT INPUTS |
| V- | VOLTAGE INPUTS |
| BI- | BINARY INPUTS |
| BO- | BINARY OUTPUTS |
| CO- | CHANGE OVER BINARY OUTPUT CONTACTS |
| NO- | NORMALLY OPEN BINARY OUTPUT CONTACTS |
| NC- | NORMALLY CLOSED BINARY OUTPUT CONTACTS |

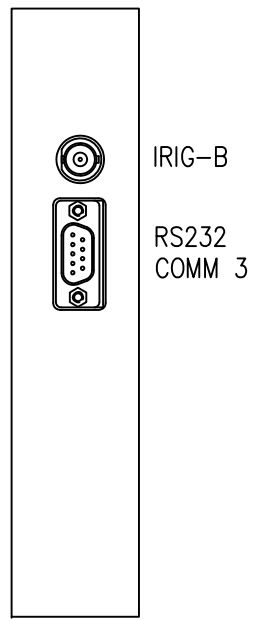
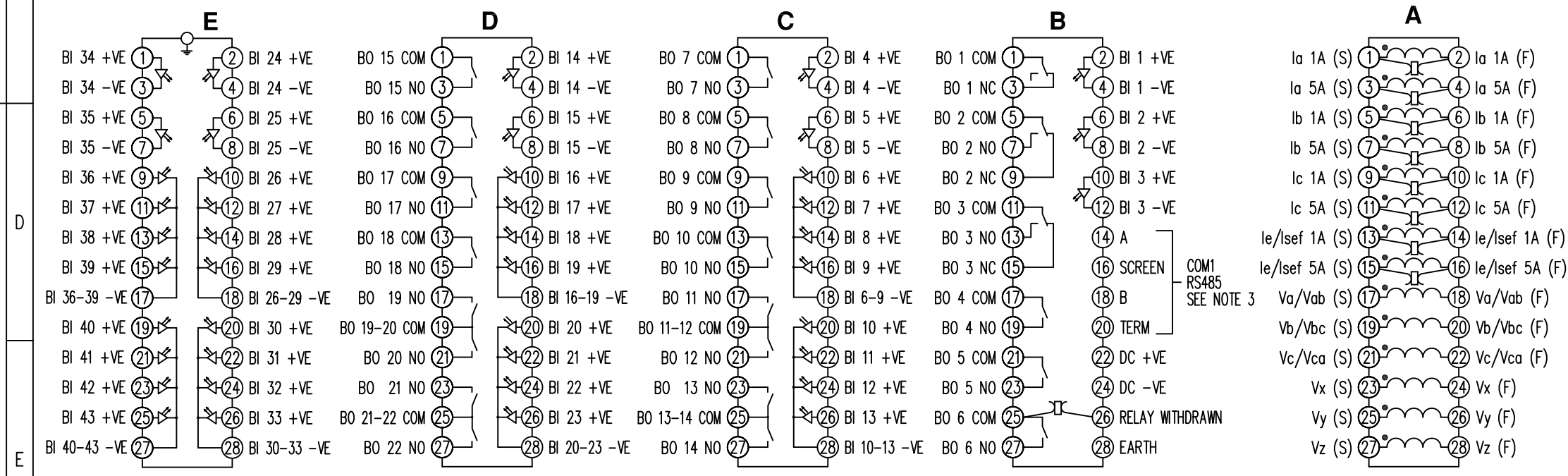
| COMMUNICATIONS IDENTIFICATION | |
|-------------------------------|----------------------------------------------|
| COM1 | RS485 (ON BLOCK 'B' TERMINALS 14,16,18 & 20) |
| COM2 | USB TYPE 'B' PORT (ON RELAY FRONT LABEL) |
| COM3 | RS232 (ON REAR COMMS MODULE) |



RELAY VIEWED FROM REAR

- NOTES**
- TERMINALS RECOMMENDED ARE PRE-INSULATED & MUST BE CRIMPED USING APPROVED TOOLING. AMP PIDG OR PLASTI GRIP FUNNEL ENTRY (RING TONGUE) FOR M4 FIXING STUD.
 - FOR OUTLINE & PANEL DRILLING, SEE 2995X10010 (A4).
 - CONNECTIONS TO THIS COMMUNICATIONS FACILITY IS BY SCREENED, TWISTED PAIR CABLE, ON SITE. WHEN WIRING OTHER FACILITIES ENSURE THAT THESE TERMINALS ARE NOT OBSCURED BY OTHER WIRE RUNS.
 - CONTACTS SHOWN THUS ARE INTERNAL RELAY CASE ASSEMBLY AND CLOSE WHEN THE RELAY CHASSIS IS WITHDRAWN FROM THE CASE.

NOT SUBJECT TO UPDATE
ONCE COPIED / PRINTED
OR DOWNLOADED



MATERIAL:

Dimensions in millimetres : Surface texture in micrometres.
Machine where marked ✓
For explanation of dimensions, tolerances, notes etc. see B.S.308.
Limit on untoleranced unmachined dimensions ± _____
Limits on untoleranced machined dimensions to B.S.4500;
i.e. up to 6±0.1; over 30 to 120±0.3; over 315±0.8;
over 6 to 30±0.2; over 120 to 315±0.5;
General unmachined angular tolerance ± _____

Finish: _____
Treatment: _____

Title:
7SR224, E12 RELAY TERMINAL ID & WIRING DIAGRAM
4I, 6V, 43BI, 2CO,19NO,1NC, RS232+IRIG-B

SIEMENS PROTECTION DEVICES LTD.

Original Scale:
NTS

First used on: _____
Similar Articles: _____
Supersedes: _____
Drg. No.
2435W40080

| | | |
|-------|----------|--------|
| 1 | 04/08/11 | CHANGE |
| ISSUE | DATE | NOTED |