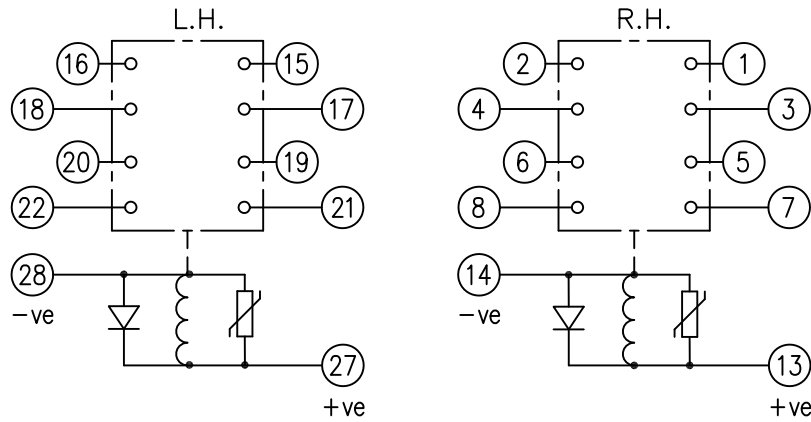


LOOKING ON FRONT OF RELAY



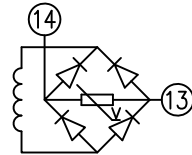
NOT SUBJECT TO UPDATE
ONCE COPIED / PRINTED
OR DOWNLOADED

KEY

- make contact
- break contact
- c/o contact
- ext. conn
- plug bridge - shorting
- metering point
- 5Kv barrier
- test socket - shorting
- plug & socket

CONTACT CONFIG.		OUTPUT CONTACT PAIR / TERMINAL No.					
R.H. →	L.H. →	1-3	2-4	5-7	6-8	9-11	10-12
→	→	15-17	16-18	19-21	20-22	23-25	24-26
4M		M	M	M	M		
3M 1B		M	B	M	M		
2M 2B		B	B	M	M		
1M 3B		B	B	M	B		
	4B	B	B	B	B		
4M(HD)		M+	M+	M+	M+		
3M(HD) 1B(HD)		M+	M+	M+	+B		
2M(HD) 2M(STD)		M+	M+	M	M		
2M(HD) 2B(STD)		M+	M+	B	B		

NOTE: WHEN RECTIFIER IS SPECIFIED
COIL CONNS. ARE AS SHOWN.



FRAME REFERENCE: E4FS05.

FRAME TERMINAL BLOCK ASSY: -

ASSEMBLY INSTRUCTIONS: -
TYPICAL ASSEMBLY DRAWING 2995G10032.
AT INDICATED POSITIONS FIT AS FOLLOWS:
T - FIT TRIP ISOLATION CONTACT 2995B10053
S - FIT STANDARD CONTACT 2995B10054
SECURE CONTACTS USING FIXING SCREW 2109F99009.
POSITIONS SHOWN BLANK ARE UNUSED

2	T	T	1
4	T	T	3
6	T	T	5
8	T	T	7
10			9
12			11
14	S	S	13
16	T	T	15
18	T	T	17
20	T	T	19
22	T	T	21
24			23
26			25
28	S	S	27

VIEW FROM NUMBERED
SIDE OF BLOCK

OUTER TERMINAL BLOCK ASSY: -

ASSEMBLY INSTRUCTIONS: -
TYPICAL ASSEMBLY DRAWING 2995G10029.
AT INDICATED POSITIONS FIT AS FOLLOWS:
S - FIT STANDARD CONTACT 2995B10051
HC - FIT 'HEAVY CURRENT' KIT 2995G10030
WHERE IS SHOWN FIT CT SHORTING
KIT 2995G10031
POSITIONS SHOWN BLANK ARE UNUSED.
ALL POSITIONS FIT SCREW 2106F12506.

2	S	S	1
4	S	S	3
6	S	S	5
8	S	S	7
10			9
12			11
14	S	S	13
16	S	S	15
18	S	S	17
20	S	S	19
22	S	S	21
24			23
26			25
28	S	S	27

VIEW FROM INSIDE
FACE

Copyright © 2002 VATECH REYROLLE ACP Ltd. Hebburn

			Title: T.B. AND W.D. FOR AR2-1D 4 CONTACT RELAYS IN EPSILON E4 CASE.	First used on:	
				Similar Articles:	
				Supersedes:	
2 RDW 08/07/08 MN112/2984 AL 1 29/07/02			VATECH REYROLLE AUTOMATION, CONTROL & PROTECTION	Original Scale:	Drg.No. 2112W50150
DRAWN: A.LAW.	CHECKED: RD.WATSON	APPROVED: RD.WATSON	DATE: 29/7/02	IE:	OPS: