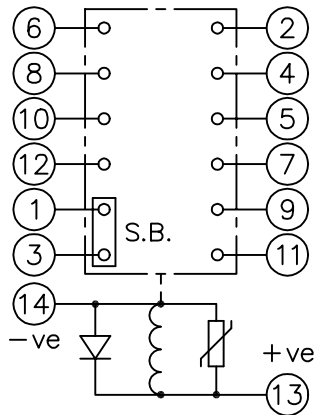


LOOKING ON FRONT OF RELAY

2112W50136



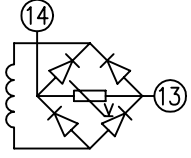
**NOT SUBJECT TO UPDATE
ONCE COPIED / PRINTED
OR DOWNLOADED**

KEY

- make contact
- break contact
- c/o contact
- ext. conn
- plug bridge - shorting
- metering point
- 5Kv barrier
- test socket - shorting
- plug & socket

CONTACT CONFIG.	OUTPUT CONTACT PAIR / TERMINAL No.							
	1-3	2-4	5-7	6-8	9-11	10-12		
5M 1SB	SB	M	M	M	M	M		
4M 1B 1SB	SB	B	M	M	M	M		
3M 2B 1SB	SB	B	M	B	M	M		
2M 3B 1SB	SB	B	B	B	M	M		
1M 4B 1SB	SB	B	B	B	M	B		
	5B 1SB	SB	B	B	B	B		

NOTE: WHEN RECTIFIER IS SPECIFIED COIL CONNS. ARE AS SHOWN.



FRAME REFERENCE: E2FAQM.
 FRAME TERMINAL BLOCK ASSY: -
 ASSEMBLY INSTRUCTIONS: -
 TYPICAL ASSEMBLY DRAWING 2995G10032.
 AT INDICATED POSITIONS FIT AS FOLLOWS:
 T - FIT TRIP ISOLATION CONTACT 2995B10053
 S - FIT STANDARD CONTACT 2995B10054
 SECURE CONTACTS USING FIXING SCREW 2109F99009.
 POSITIONS SHOWN BLANK ARE UNUSED

2	T	T	1
4	T	T	3
6	T	T	5
8	T	T	7
10	T	T	9
12	T	T	11
14	S	S	13
16			15
18			17
20			19
22			21
24			23
26			25
28			27

VIEW FROM NUMBERED SIDE OF BLOCK

OUTER TERMINAL BLOCK ASSY: -
 ASSEMBLY INSTRUCTIONS: -
 TYPICAL ASSEMBLY DRAWING 2995G10029.
 AT INDICATED POSITIONS FIT AS FOLLOWS:
 S - FIT STANDARD CONTACT 2995B10051
 HC - FIT 'HEAVY CURRENT' KIT 2995G10030
 WHERE IS SHOWN FIT CT SHORTING KIT 2995G10031
 POSITIONS SHOWN BLANK ARE UNUSED.
 ALL POSITIONS FIT SCREW 2106F12506.

2	S	S	1
4	S	S	3
6	S	S	5
8	S	S	7
10	S	S	9
12	S	S	11
14	S	S	13
16			15
18			17
20			19
22			21
24			23
26			25
28			27

VIEW FROM INSIDE FACE

Copyright © 2002 VATECH REYROLLE ACP Ltd. Hebburn

2	09/07/02	MN112/2343	Title: T/BLOCK & WIRING DIAG. FOR AR112SBD (5C+1SB) RELAY IN E2 CASE.		First used on:
					Similar Articles:
1	29/05/02				Supersedes:
ISSUE	DATE	MOD.No.	VATECH REYROLLE AUTOMATION, CONTROL & PROTECTION		Original Scale: .
					Drg.No. 2112W50136
DRAWN: A.LAW.		CHECKED:	APPROVED: R.D.WATSON	DATE: 17/07/02	IE:
					OPS: