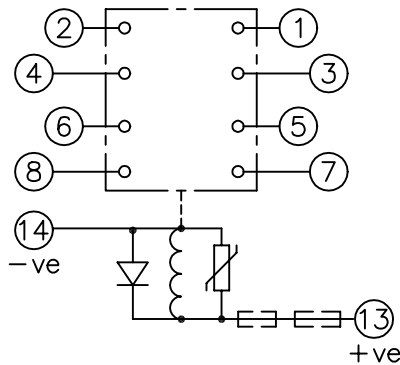


LOOKING ON FRONT OF RELAY

2112W50114

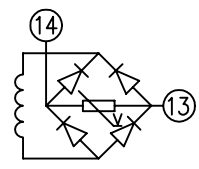
**NOT SUBJECT TO UPDATE
ONCE COPIED / PRINTED
OR DOWNLOADED**



NOTE:

- RESISTORS ARE NOT REQUIRED ON OTHER VOLTAGE VARIATIONS.
- THE AR141T2 125VDC & 240VDC VERSIONS MUST HAVE RESISTOR 2101C21471 FITTED INSTEAD OF THE ONE SPECIFIED ON CHART. SEE RELEVANT B.O.M.
- HEAVY DUTY CONTACTS ARE FITTED WITH BLOWOUT MAGNETS AND ARE POLARITY CONSCIOUS. SEE TABLE FOR +VE TERMINAL.

KEY	125	* 2101C21102 ONLY.	NIL.	SEE NOTE 2 *				
	make contact	240	* 2101C21102 +EXT. RES.	EXT. RES. ONLY	SEE NOTE 2 *			
break contact	VDC	RES.(T1,T2,T3,T6).	RES.(T4).	REMARKS				
c/o contact	CONTACT CONFIG.	OUTPUT CONTACT PAIR / TERMINAL No.						
ext. conn		1-3	2-4	5-7	6-8	9-11	10-12	NOTE: WHEN RECTIFIER IS SPECIFIED COIL CONNS. ARE AS SHOWN.
plug bridge - shorting	4M	M	M	M	M			
metering point	3M 1B	M	B	M	M			
5Kv barrier	2M 2B	B	B	M	M			
test socket - shorting	1M 3B	B	B	M	B			
plug & socket	4B	B	B	B	B			
	4M(HD)	M+	M+	M+	M+			
	3M(HD) 1B(HD)	M+	M+	M+	+B			
	2M(HD) 2M(STD)	M+	M+	M	M			
	2M(HD) 2B(STD)	M+	M+	B	B			



FRAME REFERENCE: E2FAQQ.

FRAME TERMINAL BLOCK ASSY: -

ASSEMBLY INSTRUCTIONS: -
TYPICAL ASSEMBLY DRAWING 2995G10032.
AT INDICATED POSITIONS FIT AS FOLLOWS:
T - FIT TRIP ISOLATION CONTACT 2995B10053
S - FIT STANDARD CONTACT 2995B10054
SECURE CONTACTS USING FIXING SCREW 2109F99009.
POSITIONS SHOWN BLANK ARE UNUSED

2	T	T	1
4	T	T	3
6	T	T	5
8	T	T	7
10			9
12			11
14	S	S	13
16			15
18			17
20			19
22			21
24			23
26			25
28			27

VIEW FROM NUMBERED SIDE OF BLOCK

OUTER TERMINAL BLOCK ASSY: -

ASSEMBLY INSTRUCTIONS: -
TYPICAL ASSEMBLY DRAWING 2995G10029.
AT INDICATED POSITIONS FIT AS FOLLOWS:
S - FIT STANDARD CONTACT 2995B10051
HC - FIT 'HEAVY CURRENT' KIT 2995G10030
WHERE IS SHOWN FIT CT SHORTING KIT 2995G10031
POSITIONS SHOWN BLANK ARE UNUSED.
ALL POSITIONS FIT SCREW 2106F12506.

2	S	S	1
4	S	S	3
6	S	S	5
8	S	S	7
10			9
12			11
14	S	S	13
16			15
18			17
20			19
22			21
24			23
26			25
28			27

VIEW FROM INSIDE FACE

1	30/04/99	MOD.No.	Title. T.B. & W.D. FOR AR1-1T- 4C (STD & HD) (W/SUPP.DIODE) RELAYS IN EPS. E2 CASE.	First used on:
			Similar Articles:	
ISSUE	DATE	MOD.No.	Reyrolle Protection Hebburn.	Supersedes:
DRAWN: A.LAW.	CHECKED:	APPROVED: R.D.WATSON	Original Scale:	Drg.No. 2112W50114
DATE: 17/07/02			Copyright © 1999 Reyrolle Ltd.	