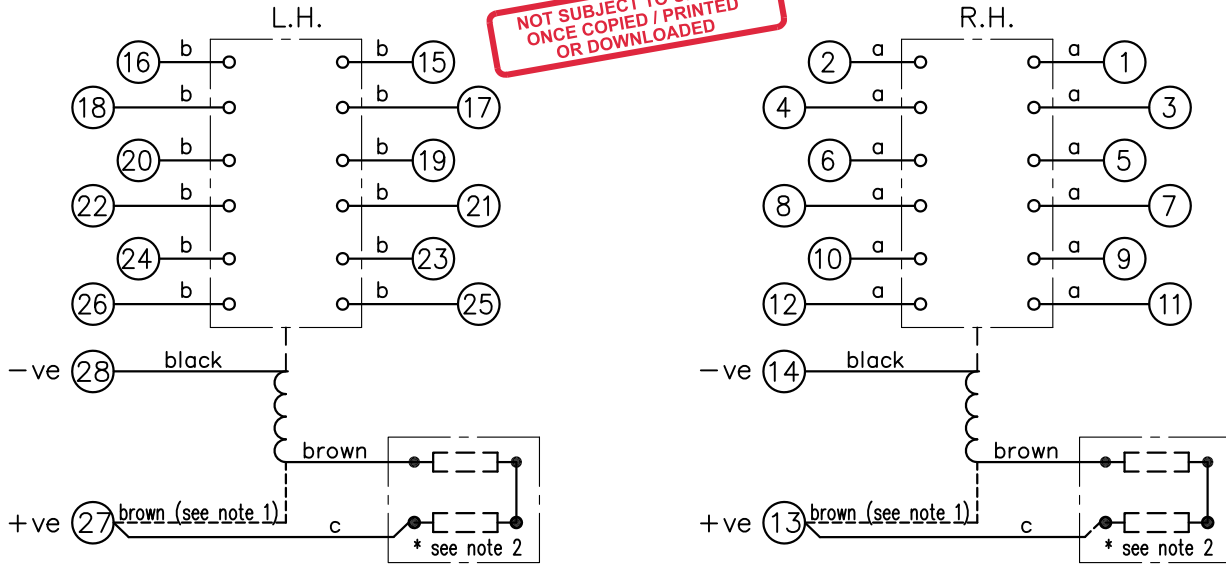


NOT SUBJECT TO UPDATE
ONCE COPIED / PRINTED
OR DOWNLOADED



LOOKING ON FRONT OF RELAY

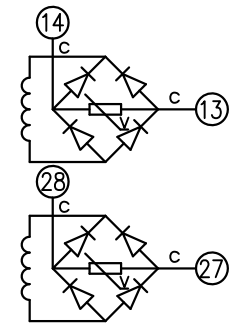
NOTE:

1. RESISTORS ARE NOT REQUIRED ON OTHER VOLTAGE VARIATIONS, DASHED LINE --- SHOWS CONNECTIONS WHEN RESISTORS ARE NOT FITTED.
- * 2. THE AR141T2 125VDC & 240VDC VERSIONS MUST HAVE RESISTOR 2101C21471 FITTED INSTEAD OF THE ONE SPECIFIED ON CHART. SEE RELEVANT B.O.M.
3. HEAVY DUTY CONTACTS ARE FITTED WITH BLOWOUT MAGNETS AND ARE POLARITY CONSCIOUS, SEE TABLE FOR +VE TERMINAL.

KEY	125	* 2101C21102 ONLY.	NIL.	SEE NOTE 2 *	2112G20328			
	make contact	240	* 2101C21102 +EXT. RES.	EXT. RES. ONLY	SEE NOTE 2 *	2112G20328		
break contact	VDC	RES.(T1,T2,T3,T6).	RES.(T4).	REMARKS	COIL			
c/o contact	CONTACT CONFIG.		OUTPUT CONTACT PAIR / TERMINAL No.					
ext. conn	R.H. →		1-3	2-4	5-7	6-8	9-11	10-12
plug bridge - shorting	L.H. →		15-17	16-18	19-21	20-22	23-25	24-26
metering point	6M	M	M	M	M	M	M	M
5Kv barrier	5M 1B	M	B	M	M	M	M	M
test socket - shorting	4M 2B	B	B	M	M	M	M	M
plug & socket	3M 3B	B	B	M	B	M	M	M
	2M 4B	B	B	B	B	M	M	M
	1M 5B	B	B	B	B	M	B	B
		6B	B	B	B	B	B	B

ASSEMBLY WIRES USED	
a	2107B10002 12 OFF
b	2107B10003 12 OFF
c	2107D10164 2 OFF

NOTE:
WHEN RECTIFIER IS SPECIFIED COIL CONNS ARE AS SHOWN.



THE CONTACT CONFIGS SHOWN ARE NOT AVAILABLE FOR ALL AR2-1T- RELAYS. SEE INDIVIDUAL ORDERING SCHEDULES FOR CONTACT OPTION AVAILABILITY.

FRAME REFERENCE: E4FE02.

FRAME TERMINAL BLOCK ASSY: -

ASSEMBLY INSTRUCTIONS: -
TYPICAL ASSEMBLY DRAWING 2995G10032.
AT INDICATED POSITIONS FIT AS FOLLOWS:
T - FIT TRIP ISOLATION CONTACT 2995B10053
S - FIT STANDARD CONTACT 2995B10054
SECURE CONTACTS USING FIXING SCREW 2109F99009.
POSITIONS SHOWN BLANK ARE UNUSED

2	T	T	1
4	T	T	3
6	T	T	5
8	T	T	7
10	T	T	9
12	T	T	11
14	S	S	13
16	T	T	15
18	T	T	17
20	T	T	19
22	T	T	21
24	T	T	23
26	T	T	25
28	S	S	27

VIEW FROM NUMBERED
SIDE OF BLOCK

OUTER TERMINAL BLOCK ASSY: -

ASSEMBLY INSTRUCTIONS: -
TYPICAL ASSEMBLY DRAWING 2995G10029.
AT INDICATED POSITIONS FIT AS FOLLOWS:
S - FIT STANDARD CONTACT 2995B10051
HC - FIT 'HEAVY CURRENT' KIT 2995G10030
WHERE IS SHOWN FIT CT SHORTING KIT 2995G10031
POSITIONS SHOWN BLANK ARE UNUSED.
ALL POSITIONS FIT SCREW 2106F12506.

2	S	S	1
4	S	S	3
6	S	S	5
8	S	S	7
10	S	S	9
12	S	S	11
14	S	S	13
16	S	S	15
18	S	S	17
20	S	S	19
22	S	S	21
24	S	S	23
26	S	S	25
28	S	S	27

VIEW FROM INSIDE
FACE

Title: T.B. AND W.D. FOR AR2-1T- 6 CONTACT RELAYS IN EPSILON E4 CASE.			First used on:		
			Similar Articles:		
Reyrolle Protection Hebburn.			Supersedes:		
			Drg.No.		
2 RDW	10/07/12	MN111C/3479	2112W50100		
1	29/04/99				
ISSUE	DATE	MOD.No.	Copyright © 1999 Reyrolle Ltd.		
DRAWN: A.LAW.	CHECKED:	APPROVED: R.D.WATSON	DATE: 17/07/02		