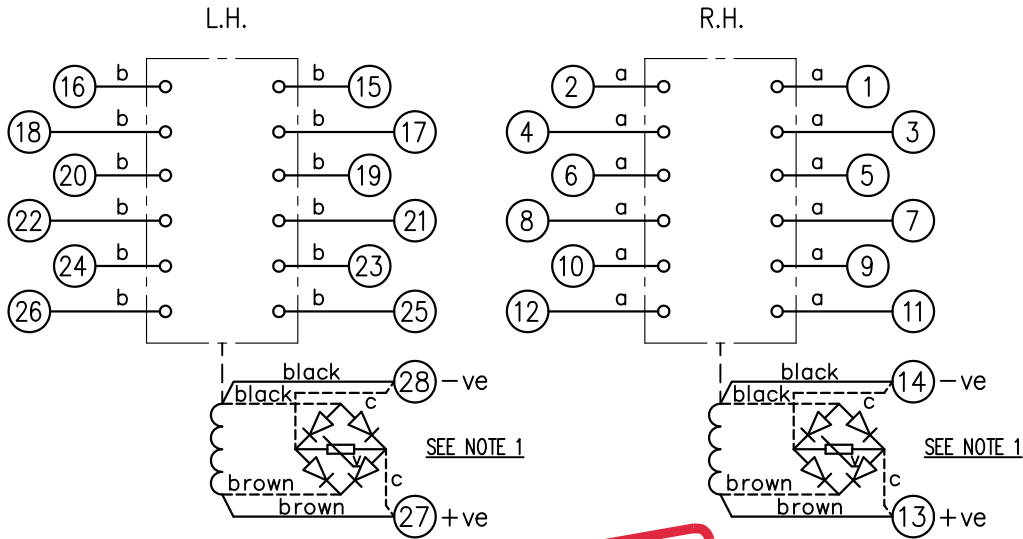


LOOKING ON FRONT OF RELAY

2112W50025



**NOT SUBJECT TO UPDATE
ONCE COPIED / PRINTED
OR DOWNLOADED**

| ASSEMBLY WIRES USED | | |
|---------------------|------------|--------|
| a | 2107B10002 | 12 OFF |
| b | 2107B10003 | 12 OFF |
| c | 2107D10164 | 4 OFF |

KEY

- make contact
- break contact
- c/o contact
- ext. conn
- plug bridge - shorting
- metering point
- 5Kv barrier
- test socket - shorting
- plug & socket

F.R. COILS SEE BOMS AND CUSTOMER ORDERS FOR SETTINGS

| A.R. COILS ONLY | 2112G20019 | 2112G20020 | 2112G20022 | 2112G20023 | 2112G20026 | 2112G20029 |
|-----------------|------------|------------|------------|------------|------------|------------|
| VOLTAGE | 24 | 30 | 50 | 60 | 125 | 240 |

| CONTACT CONFIG. | OUTPUT CONTACT PAIR / TERMINAL No. | | | | | | |
|-----------------|------------------------------------|-------|-------|-------|-------|-------|-------|
| | R.H. → | 1-3 | 2-4 | 5-7 | 6-8 | 9-11 | 10-12 |
| L.H. → | 15-17 | 16-18 | 19-21 | 20-22 | 23-25 | 24-26 | |
| 6M | M | M | M | M | M | M | |
| 5M 1B | M | B | M | M | M | M | |
| 4M 2B | B | B | M | M | M | M | |
| 3M 3B | B | B | M | B | M | M | |
| 2M 4B | B | B | B | B | M | M | |
| 1M 5B | B | B | B | B | M | B | |
| | 6B | B | B | B | B | B | |

NOTE:
1. DASHED LINE --- SHOWS CONNECTIONS WHEN RECTIFIERS ARE FITTED, (AC APPLICATIONS ONLY).

FRAME REFERENCE: E4FS05.
 FRAME TERMINAL BLOCK ASSY: -
 ASSEMBLY INSTRUCTIONS: -
 TYPICAL ASSEMBLY DRAWING 2995G10032.
 AT INDICATED POSITIONS FIT AS FOLLOWS:
 T - FIT TRIP ISOLATION CONTACT 2995B10053
 S - FIT STANDARD CONTACT 2995B10054
 SECURE CONTACTS USING FIXING SCREW 2109F99009.
 POSITIONS SHOWN BLANK ARE UNUSED

| | | | |
|----|---|---|----|
| 2 | T | T | 1 |
| 4 | T | T | 3 |
| 6 | T | T | 5 |
| 8 | T | T | 7 |
| 10 | T | T | 9 |
| 12 | T | T | 11 |
| 14 | S | S | 13 |
| 16 | T | T | 15 |
| 18 | T | T | 17 |
| 20 | T | T | 19 |
| 22 | T | T | 21 |
| 24 | T | T | 23 |
| 26 | T | T | 25 |
| 28 | S | S | 27 |

VIEW FROM NUMBERED SIDE OF BLOCK

OUTER TERMINAL BLOCK ASSY: -
 ASSEMBLY INSTRUCTIONS: -
 TYPICAL ASSEMBLY DRAWING 2995G10029.
 AT INDICATED POSITIONS FIT AS FOLLOWS:
 S - FIT STANDARD CONTACT 2995B10051
 HC - FIT 'HEAVY CURRENT' KIT 2995G10030
 WHERE IS SHOWN FIT CT SHORTING KIT 2995G10031
 POSITIONS SHOWN BLANK ARE UNUSED.
 ALL POSITIONS FIT SCREW 2106F12506.

| | | | |
|----|---|---|----|
| 2 | S | S | 1 |
| 4 | S | S | 3 |
| 6 | S | S | 5 |
| 8 | S | S | 7 |
| 10 | S | S | 9 |
| 12 | S | S | 11 |
| 14 | S | S | 13 |
| 16 | S | S | 15 |
| 18 | S | S | 17 |
| 20 | S | S | 19 |
| 22 | S | S | 21 |
| 24 | S | S | 23 |
| 26 | S | S | 25 |
| 28 | S | S | 27 |

VIEW FROM INSIDE FACE

Copyright © 2000 VA TECH Reyrolle Ltd. Hebburn

| | | | | |
|---|--|--|--|--|
| Title: TB AND WD FOR 2 EL. AR OR FR1-2/1-2 6 CONT. RELAYS IN EPSILON E4 CASE. | | | First used on: | |
| 3 RDW 10/07/12 MN111C/3479 | | | Similar Articles: | |
| 2 12/04/00 MN995/09 | | | Supersedes: | |
| ISSUE DATE MOD.No. | | | Drg.No. | |
| VA TECH Reyrolle | | | 2112W50025 | |
| AUTOMATION, CONTROL & PROTECTION | | | Original Scale: | |
| DRAWN: A.LAW. CHECKED: | | | APPROVED: R.D.WATSON DATE: 16/07/02 IE: OPS: | |