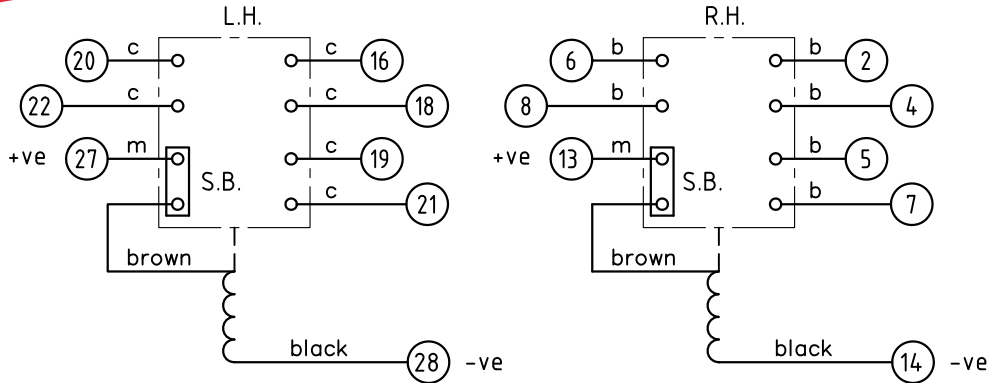


LOOKING ON FRONT OF RELAY

2112W50080

**FOR INTERNAL USE ONLY  
UNCONTROLLED COPY  
NOT SUBJECT TO UPDATE**

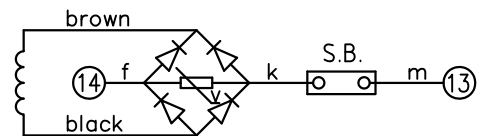


ASSEMBLY WIRES USED		
b	2107B10002	6 OFF
c	2107B10003	6 OFF
m	2107D10181	2 OFF

KEY	
	make contact
	break contact
	c/o contact
	ext. conn
	plug bridge - shorting
	metering point
	5Kv barrier
	test socket - shorting
	plug & socket

COIL	2112G20019	2112G20020	2112G20022	2112G20023	2112G20026	2112G20029
Vdc	24	30	50	60	125	240
CONTACT CONFIG.	OUTPUT CONTACT PAIR / TERMINAL No.					
R.H. →	1-3	2-4	5-7	6-8	9-11	10-12
L.H. →	15-17	16-18	19-21	20-22	23-25	24-26
3M 1SB	/	M	M	M	/	/
2M 1B 1SB	/	B	M	M	/	/
1M 2B 1SB	/	B	M	B	/	/
3B 1SB	/	B	B	B	/	/

NOTE: WHEN RECTIFIER IS SPECIFIED COIL CONNS AND ADDITIONAL WIRES ARE AS SHOWN.



FRAME REFERENCE: E4FS09.

FRAME TERMINAL BLOCK ASSY: -

ASSEMBLY INSTRUCTIONS: -  
TYPICAL ASSEMBLY DRAWING 2995G10032.  
AT INDICATED POSITIONS FIT AS FOLLOWS:  
T - FIT TRIP ISOLATION CONTACT 2995B10053  
S - FIT STANDARD CONTACT 2995B10054  
SECURE CONTACTS USING FIXING SCREW 2109F99009.  
POSITIONS SHOWN BLANK ARE UNUSED

2	T		1
4	T		3
6	T	T	5
8	T	T	7
10			9
12			11
14	S	S	13
16	T		15
18	T		17
20	T	T	19
22	T	T	21
24			23
26			25
28	S	S	27

VIEW FROM NUMBERED SIDE OF BLOCK

OUTER TERMINAL BLOCK ASSY: -

ASSEMBLY INSTRUCTIONS: -  
TYPICAL ASSEMBLY DRAWING 2995G10029.  
AT INDICATED POSITIONS FIT AS FOLLOWS:  
S - FIT STANDARD CONTACT 2995B10051  
HC - FIT 'HEAVY CURRENT' KIT 2995G10030  
WHERE IS SHOWN FIT CT SHORTING KIT 2995G10031  
POSITIONS SHOWN BLANK ARE UNUSED.  
ALL POSITIONS FIT SCREW 2106F12506.

2	S		1
4	S		3
6	S	S	5
8	S	S	7
10			9
12			11
14	S	S	13
16	S		15
18	S		17
20	S	S	19
22	S	S	21
24			23
26			25
28	S	S	27

VIEW FROM INSIDE FACE

Copyright © 2015 VA TECH Reyrolle Ltd. Hebburn

Title: T.B. AND W.D. FOR AR212SB 4 CONTACT RELAYS IN EPSILON E4 CASE.			First used on:		
5 N.C 19/06/15 MN112/3882			Similar Articles:		
4 RDW 10/07/12 MN111C/3479			Supersedes:		
3 RDW 16/01/04 MN112/2606			Drg.No.		
2 12/04/00 MN995/09			2112W50080		
ISSUE DATE MOD.No.			Original Scale:		
DRAWN: A.LAW.			APPROVED: R.D.WATSON		
CHECKED:		DATE: 17/07/02		IE:	
OPS:					