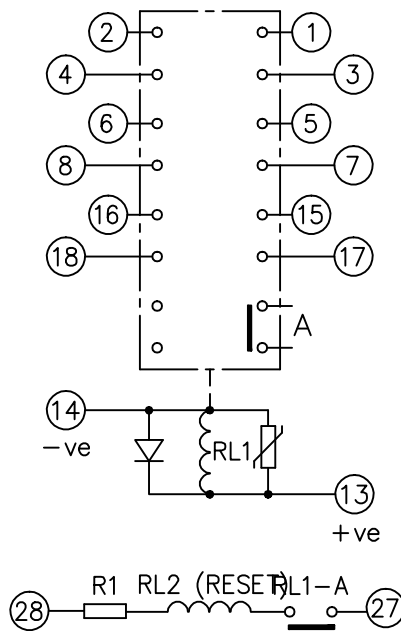


2112W50070

LOOKING ON FRONT OF RELAY



NOT SUBJECT TO UPDATE  
ONCE COPIED / PRINTED  
OR DOWNLOADED

**KEY**

- ○ make contact
- break contact
- □ c/o contact
- ② ext. conn
- ⌋ plug bridge - shorting
- ⊙ metering point
- ⌋ 5Kv barrier
- test socket - shorting
- ⊙ plug & socket

	R1	NIL	2102C15687	NIL	2102C15270	NIL	2102C15471
Volts dc		24	30	48	60	125	240
CONTACT CONFIG.	OUTPUT CONTACT PAIR / TERMINAL No.						
	1-3	2-4	5-7	6-8	15-17	16-18	
6M	M	M	M	M	M	M	
5M 1B	M	B	M	M	M	M	
4M 2B	B	B	M	M	M	M	
3M 3B	B	B	M	B	M	M	
2M 4B	B	B	B	B	M	M	
1M 5B	B	B	B	B	M	B	
6B	B	B	B	B	B	B	

NOTE: WHEN RECTIFIER IS SPECIFIED COIL CONNS. ARE AS SHOWN.

FRAME REFERENCE: E2FAQM.  
 FRAME TERMINAL BLOCK ASSY: -  
 ASSEMBLY INSTRUCTIONS: -  
 TYPICAL ASSEMBLY DRAWING 2995G10032.  
 AT INDICATED POSITIONS FIT AS FOLLOWS:  
 T - FIT TRIP ISOLATION CONTACT 2995B10053  
 S - FIT STANDARD CONTACT 2995B10054  
 SECURE CONTACTS USING FIXING SCREW 2109F99009.  
 POSITIONS SHOWN BLANK ARE UNUSED

2	T	T	1
4	T	T	3
6	T	T	5
8	T	T	7
10			9
12			11
14	S	S	13
16	T	T	15
18	T	T	17
20			19
22			21
24			23
26			25
28	S	S	27

VIEW FROM NUMBERED SIDE OF BLOCK

OUTER TERMINAL BLOCK ASSY: -  
 ASSEMBLY INSTRUCTIONS: -  
 TYPICAL ASSEMBLY DRAWING 2995G10029.  
 AT INDICATED POSITIONS FIT AS FOLLOWS:  
 S - FIT STANDARD CONTACT 2995B10051  
 HC - FIT 'HEAVY CURRENT' KIT 2995G10030  
 KIT 2995G10031  
 POSITIONS SHOWN BLANK ARE UNUSED.  
 ALL POSITIONS FIT SCREW 2106F12506.

2	S	S	1
4	S	S	3
6	S	S	5
8	S	S	7
10			9
12			11
14	S	S	13
16	S	S	15
18	S	S	17
20			19
22			21
24			23
26			25
28	S	S	27

VIEW FROM INSIDE FACE

Title: T.B. AND W.D. FOR AR133D 6 CONTACT RELAYS IN EPSILON E2 CASE.			First used on:		
Reyrolle Protection Hebburn.			Similar Articles:		
ISSUE DATE MOD.No.			Supersedes:		
2 RDW 10/06/09 MN112/3151			Drg.No.		
1 27/04/99			2112W50070		
DRAWN: A.L.A.W.		CHECKED:	APPROVED: R.D.WATSON	DATE: 17/07/02	Copyright © 1999 Reyrolle Ltd.