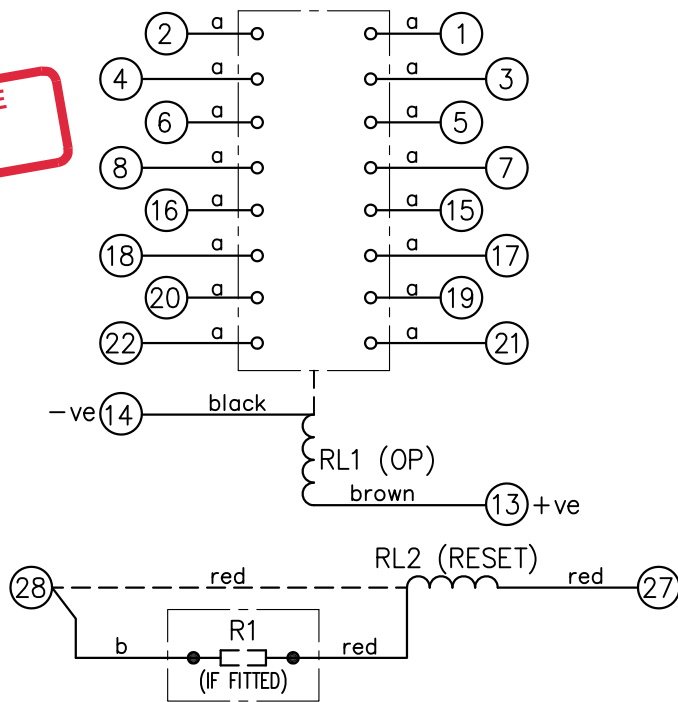


LOOKING ON FRONT OF RELAY

2112W50033

**NOT SUBJECT TO UPDATE  
ONCE COPIED / PRINTED  
OR DOWNLOADED**

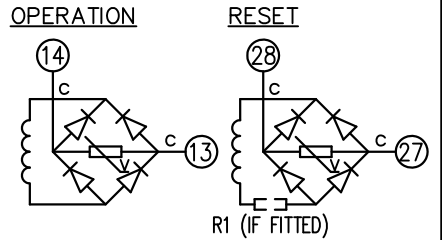


NOTES:

1. RESET COILS ARE NOT CONTINUOUSLY RATED. IT IS RECOMMENDED THAT A N.O. CONTACT IS CONNECTED IN SERIES WITH THE RESET COIL
2. DASHED LINE --- SHOWS CONNECTIONS WHEN RESISTORS ARE NOT FITTED.

ASSEMBLY WIRES USED	
a	2107B10001 16 OFF
b	2107D10181 1 OFF
c	2107D10164 4 OFF

KEY	RL2 (RESET) KIT		SOLKIT:6V		SOLKIT:6V		SOLKIT:6V		SOLKIT:12V		SOLKIT:36V		SOLKIT:36V		
	RL1 (OP) COIL	R1	2112G20019	NIL	2112G20020	2102C15687	2112G20022	2102C25180	2112G20023	2102C15270	2112G20026	NIL	2112G20029	2102C15471	
	Volts dc		24		30		48		60		125		240		
	CONTACT CONFIG.	OUTPUT CONTACT PAIR / TERMINAL No.										NOTE: WHEN RECTIFIER IS SPECIFIED COIL CONNS. ARE AS SHOWN, (AC APPLICATIONS ONLY).			
		1-3	2-4	5-7	6-8	9-11	10-12	15-17	16-18	19-21	20-22				
	8M	M	M	M	M			M	M	M	M				
	7M 1B	M	M	M	M			M	B	M	M				
	6M 2B	M	B	M	M			M	B	M	M				
	5M 3B	M	B	M	M			B	B	M	M				
	4M 4B	B	B	M	M			B	B	M	M				
	3M 5B	B	B	M	M			B	B	M	B				
	2M 6B	B	B	M	B			B	B	M	B				
	1M 7B	B	B	M	B			B	B	B	B				
	8B	B	B	M	B			B	B	B	B				



FRAME REFERENCE: E2FAQM.

FRAME TERMINAL BLOCK ASSY: -

ASSEMBLY INSTRUCTIONS: -  
TYPICAL ASSEMBLY DRAWING 2995G10032.  
AT INDICATED POSITIONS FIT AS FOLLOWS:  
T - FIT TRIP ISOLATION CONTACT 2995B10053  
S - FIT STANDARD CONTACT 2995B10054  
SECURE CONTACTS USING FIXING SCREW 2109F99009.  
POSITIONS SHOWN BLANK ARE UNUSED

2	T	T	1
4	T	T	3
6	T	T	5
8	T	T	7
10			9
12			11
14	S	S	13
16	T	T	15
18	T	T	17
20	T	T	19
22	T	T	21
24			23
26			25
28	S	S	27

VIEW FROM NUMBERED SIDE OF BLOCK

OUTER TERMINAL BLOCK ASSY: -

ASSEMBLY INSTRUCTIONS: -  
TYPICAL ASSEMBLY DRAWING 2995G10029.  
AT INDICATED POSITIONS FIT AS FOLLOWS:  
S - FIT STANDARD CONTACT 2995B10051  
HC - FIT 'HEAVY CURRENT' KIT 2995G10030  
WHERE -o-o- IS SHOWN FIT CT SHORTING  
KIT 2995G10031  
POSITIONS SHOWN BLANK ARE UNUSED.  
ALL POSITIONS FIT SCREW 2106F12506.

2	S	S	1
4	S	S	3
6	S	S	5
8	S	S	7
10			9
12			11
14	S	S	13
16	S	S	15
18	S	S	17
20	S	S	19
22	S	S	21
24			23
26			25
28	S	S	27

VIEW FROM INSIDE FACE

Title: T.B. AND W.D. FOR AR1-3/AR1-6 8 CONT. RELAY IN EPSILON E2 CASE.			First used on:		
4 RDW 03/07/12 MN11A/3479			Similar Articles:		
3 RDW 31/05/11 MN12/3408			Supersedes:		
2 RDW 10/06/09 MN12/3151			Drg.No.		
1 22/03/99			2112W50033		
ISSUE	DATE	MOD.No.	Reyrolle Protection Hebburn.		
DRAWN: A.LAW.	CHECKED:	APPROVED: R.D.WATSON	DATE: 16/07/02	Copyright © 1998 Reyrolle Ltd.	