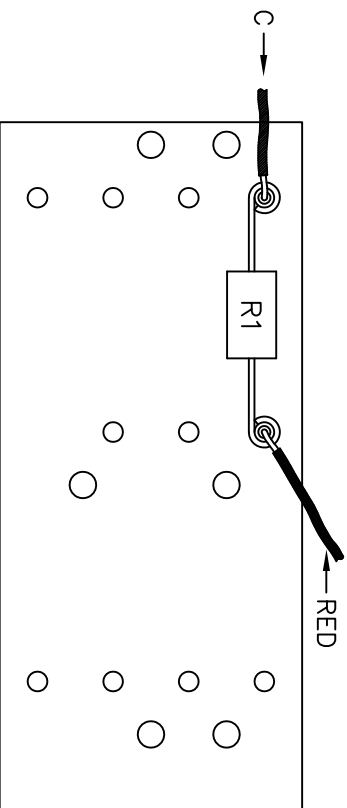


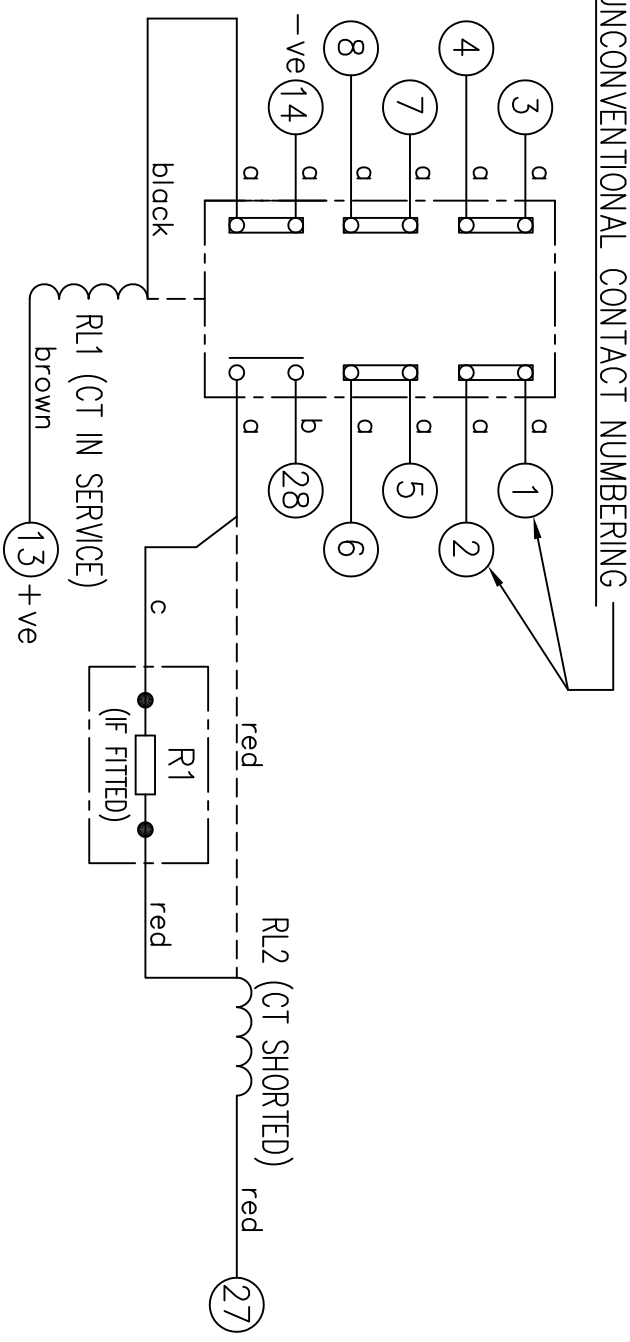
IF IN DOUBT ASK  
DO NOT SCALE

RESISTOR ASSEMBLY AND WIRE INDICATION.



30V RESISTOR BOARD, ARTICLE NO. 2112G11502  
50V RESISTOR BOARD, ARTICLE NO. 2112G11545  
125V RESISTOR BOARD, NOT REQUIRED  
240V RESISTOR BOARD, ARTICLE NO. 2112G11505

LOOKING ON FRONT OF RELAY  
CONTACTS SHOWN IN UNOPERATED CT SHORTED CONDITION



NOTE:  
1. CONTACT CONFIGURATION ABOVE IS REQUIRED FOR RELAY OPERATION.  
2. DASHED LINE - - - - SHOWS CONNECTIONS WHEN RESISTORS ARE NOT FITTED.

ASSEMBLY WIRES USED	240	2102G15471 - 470R	2112G20029	SOLKIT: 36V
a 2107B10002 10 OFF	125	NOT REQUIRED	2112G20026	SOLKIT: 36V
b 2107B10003 1 OFF	50	2102G25180 - 18R	2112G20022	SOLKIT: 6V
c 2107D10159 1 OFF (NOT ON 125V)	30	2102G15687 - 6R8	2112G20020	SOLKIT: 6V
			R1	SOLENOID - RL2

KEY  
○ make contact  
□ break contact  
□ c/o contact  
② ext. conn  
- plug bridge  
- shorting  
- metering point  
- 5kV barrier  
□ test socket  
- shorting  
- plug & socket

FRAME REFERENCE: E2FAQM.  
FRAME TERMINAL BLOCK ASSY: -  
ASSEMBLY INSTRUCTIONS: -  
TYPICAL ASSEMBLY DRAWING 2995G10032.  
AT INDICATED POSITIONS FIT AS FOLLOWS:  
T - FIT TRIP ISOLATION CONTACT 2995B10053  
S - FIT STANDARD CONTACT 2995B10054  
SECURE CONTACTS USING FIXING SCREW 2109F99009.  
POSITIONS SHOWN BLANK ARE UNUSED

2	T	T	T	1
4	T	T	T	3
6	T	T	T	5
8	T	T	T	7
10	T	T	T	9
12	T	T	T	11
14	S	S	S	13
16	S	S	S	15
18	S	S	S	17
20	S	S	S	19
22	S	S	S	21
24	S	S	S	23
26	S	S	S	25
28	S	S	S	27

VIEW FROM NUMBERED SIDE OF BLOCK

OUTER TERMINAL BLOCK ASSY: -  
ASSEMBLY INSTRUCTIONS: -  
TYPICAL ASSEMBLY DRAWING 2995G10029.  
AT INDICATED POSITIONS FIT AS FOLLOWS:  
S - FIT STANDARD CONTACT 2995B10051  
HC - FIT 'HEAVY CURRENT' KIT 2995G10030  
WHERE -O-O- IS SHOWN FIT CT SHORTING KIT 2995G10031  
POSITIONS SHOWN BLANK ARE UNUSED.  
ALL POSITIONS FIT SCREW 2106F12506.

2	-O-O-	1
4	-O-O-	3
6	-O-O-	5
8	-O-O-	7
10	-O-O-	9
12	-O-O-	11
14	S	13
16	S	15
18	S	17
20	S	19
22	S	21
24	S	23
26	S	25
28	S	27

VIEW FROM INSIDE CASE

NOT SUBJECT TO UPDATE  
ONCE COPIED / PRINTED  
OR DOWNLOADED

CONTACT CONFIG.	OUTPUT CONTACT PAIR	TERMINAL No.
1M	5B	B B B B

MATERIAL:

Dimensions in millimetres : Surface texture in micrometres.

Machine where marked ✓

For explanation of dimensions, tolerances, notes etc. see B.S.308.

Limit on untoleranced unmachined dimensions to ±

ie. up to 6±0.1; over 30 to 120±0.3; over 315±0.8;

over 6 to 30±0.2; over 120 to 315±0.5;

General unmachined angular tolerance ±

Finish:

T.B. AND WIRING DIAG. FOR AR901 RELAY  
IN EPSILON E2 CASE

Treatment:

**SIEMENS PROTECTION DEVICES LTD.**

Original Scale.

Drg. No.

2112W50225

Copyright © 2012 Siemens Protection Devices Ltd. Hebburn

First used on:

Similar Articles:

Supersedes:

ISSUE	DATE	CHANGE NOTED
1	13/08/12	
2	23.01.13	FRAME REFERENCE E2FAQM WAS E2FS05 MN3589-414 K.B.