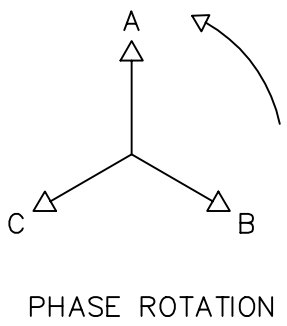
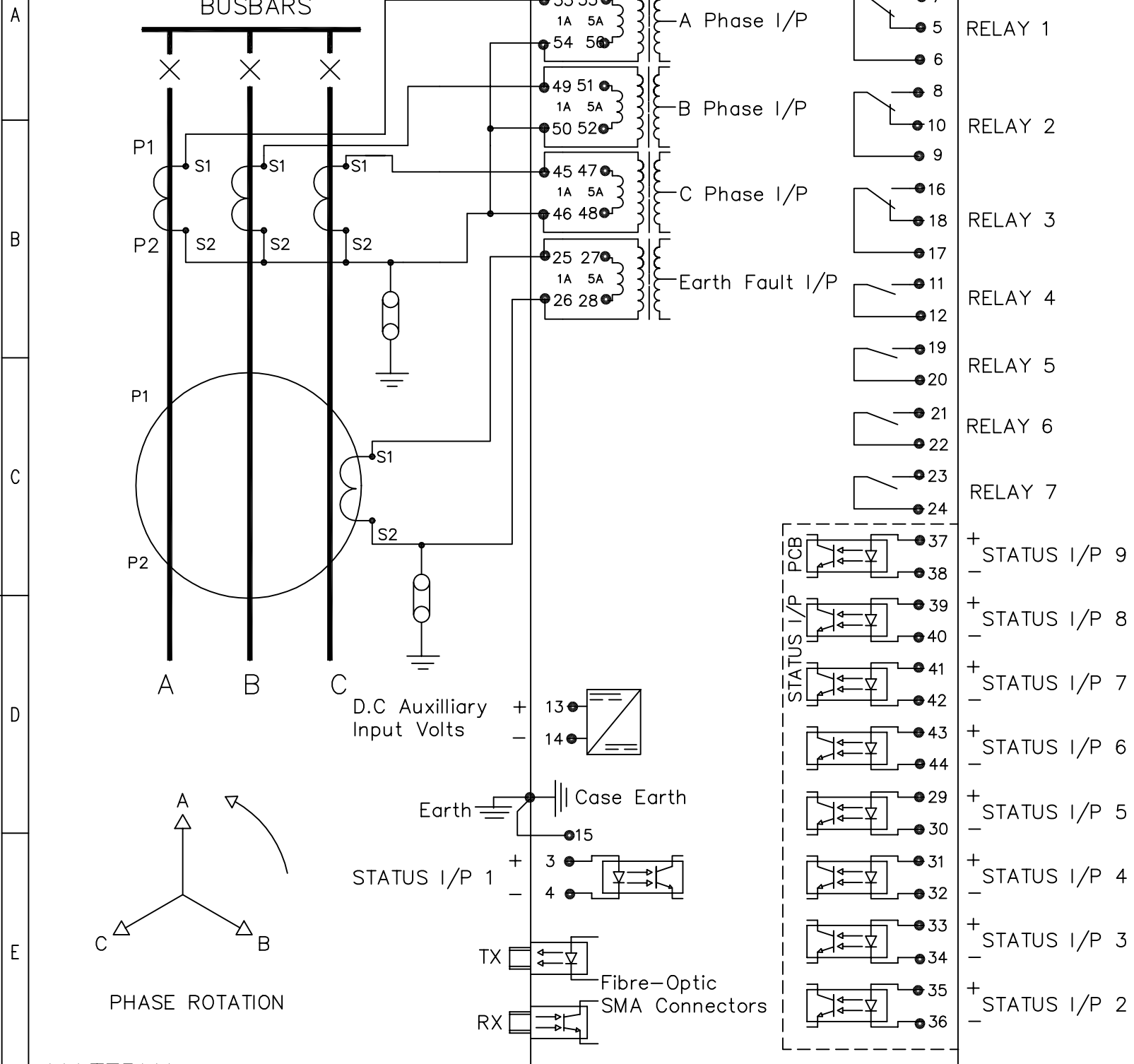


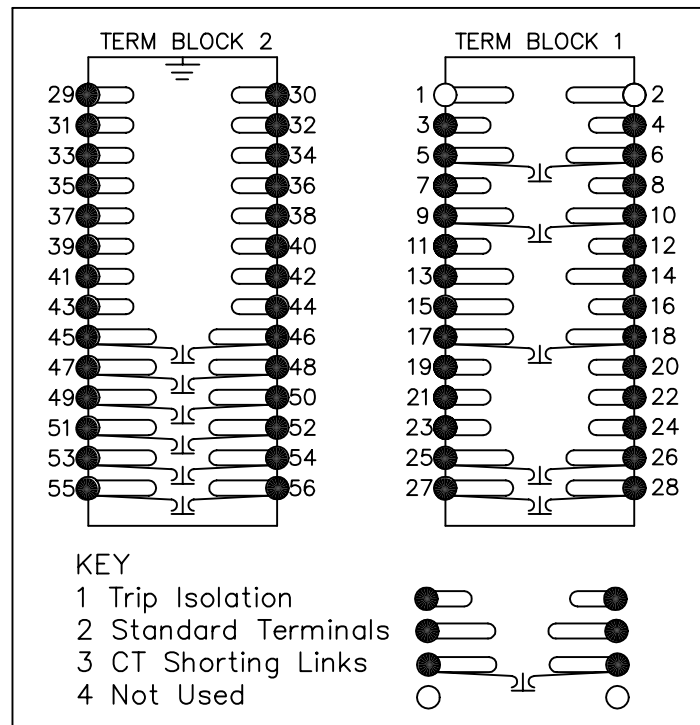


IF IN DOUBT ASK
DO NOT SCALE

RHO3 E6/R6 Case Size



TERMINAL BLOCKS VIEWED FROM REAR



**NOT SUBJECT TO UPDATE
ONCE COPIED / PRINTED
OR DOWNLOADED**

NOTES
1 CT CIRCUITS ARE SHOWN CONNECTED TO RELAY 1 AMP TAP. USE ALTERNATIVE TAP FOR 5AMP RATED CTs.
2 CT & EARTH CONNECTIONS ARE TYPICAL ONLY.
3 FOR TERMINAL IDENTIFICATION & WIRING DIAGRAM. SEE 2681W20001 (A3) (REYMOs) FOR TERMINAL IDENTIFICATION & WIRING DIAGRAM. SEE 2681W50001 (A3) (EPSILON)

MATERIAL:

Dimensions in millimetres : Surface texture in micrometres. Machine where marked ✓
For explanation of dimensions, tolerances, notes etc. see B.S.308.
Limit on untoleranced unmachined dimensions ± _____
Limits on untoleranced machined dimensions to B.S.4500; i.e. up to 6±0.1; over 30 to 120±0.3; over 315±0.8; over 6 to 30±0.2; over 120 to 315±0.5;
General unmachined angular tolerance ± _____

Finish: _____
Treatment: _____

Title: TYPICAL SCHEMATIC DIAGRAM FOR RHO 3 MOTOR PROTECTION (SEPERATE CORE BALANCE CTs) E6/R6 CASE

**Reyrolle Protection
Hebburn.**

Original Scale:
NTS

First used on: _____
Similar Articles: _____
Supersedes: _____
Drg. No. 2681W10002

DRAWN M LEASK	CHECKED	APPROVED R.D.WATSON	DATE 23/07/02	IE	OPS	PCP	Purch.Spec. TQ	EAC	CE	STD	A3
---------------	---------	---------------------	---------------	----	-----	-----	----------------	-----	----	-----	----

2	22/11/99	MN434/150
1	21/7/99	CHANGE NOTED

Copyright © 1999 Reyrolle Ltd.