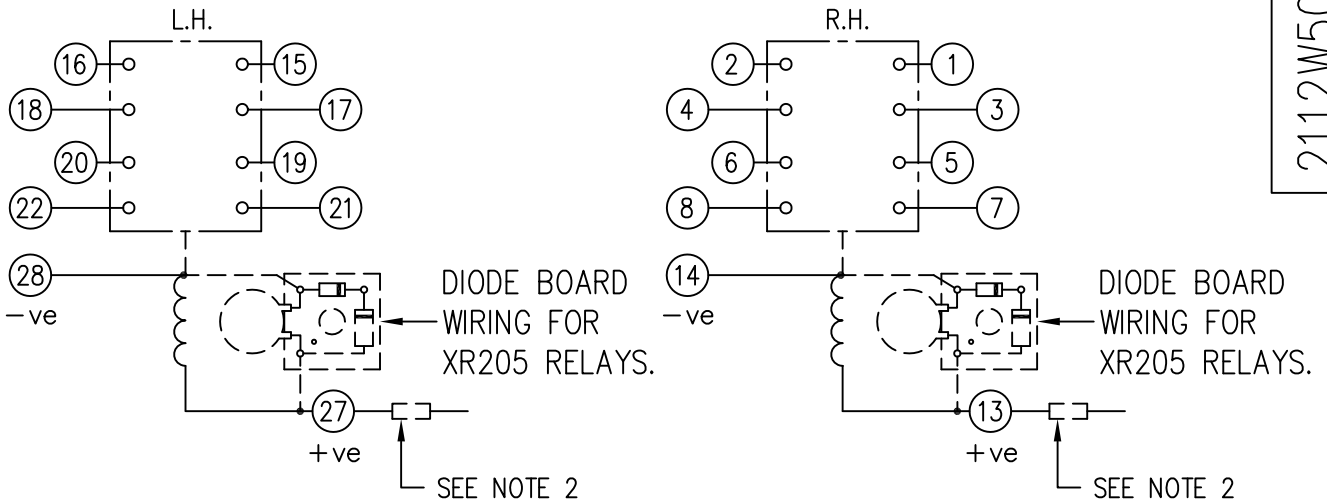


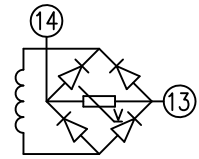
LOOKING ON FRONT OF RELAY



NOTE:

1. HEAVY DUTY CONTACTS ARE FITTED WITH BLOWOUT MAGNETS AND ARE POLARITY CONSCIOUS. SEE TABLE FOR +VE TERMINAL.
2. 125V VERSION HAS EXTERNAL RESISTOR FITTED.

| KEY | CONTACT CONFIG. | OUTPUT CONTACT PAIR / TERMINAL No. | | | | | | NOTE: WHEN RECTIFIER IS SPECIFIED COIL CONNS. ARE AS SHOWN. |
|---------------------------|------------------|------------------------------------|-------|-------|-------|-------|-------|---|
| | R.H. → | 1-3 | 2-4 | 5-7 | 6-8 | 9-11 | 10-12 | |
| | L.H. → | 15-17 | 16-18 | 19-21 | 20-22 | 23-25 | 24-26 | |
| ⊖⊖ make contact | 4M | M | M | M | M | | | |
| ⊖⊖ break contact | 3M 1B | M | B | M | M | | | |
| ⊖⊖⊖ c/o contact | 2M 2B | B | B | M | M | | | |
| ⊖⊖ ext. conn | 1M 3B | B | B | M | B | | | |
| ⊖⊖ plug bridge - shorting | 4B | B | B | B | B | | | |
| ⊖⊖ metering point | 4M(HD) | M+ | M+ | M+ | M+ | | | |
| ⊖⊖ 5Kv barrier | 2M(HD) 2M | M+ | M+ | M | M | | | |
| ⊖⊖ test socket - shorting | 2M(HD) 2B(STD) | M+ | M+ | B | B | | | |
| ⊖⊖ plug & socket | 2M(HD) 1M1B(STD) | M+ | M+ | M | B | | | |
| | 2M(HD) 2B(HD) | M+ | M+ | +B | +B | | | |
| | 3M(HD) 1B(HD) | M+ | M+ | M+ | +B | | | |
| | 1M(HD) 2M1B(STD) | M+ | M | M | B | | | |
| | 1M(HD) 3MOB(STD) | M+ | M | M | M | | | |
| | 2M(STD) 2B(HD) | M | M | +B | +B | | | |



NOT SUBJECT TO UPDATE ONCE COPIED / PRINTED OR DOWNLOADED

FRAME REFERENCE: E4FE02.

FRAME TERMINAL BLOCK ASSY: -

ASSEMBLY INSTRUCTIONS: -
 TYPICAL ASSEMBLY DRAWING 2995G10032.
 AT INDICATED POSITIONS FIT AS FOLLOWS:
 T - FIT TRIP ISOLATION CONTACT 2995B10053
 S - FIT STANDARD CONTACT 2995B10054
 SECURE CONTACTS USING FIXING SCREW 2109F99009.
 POSITIONS SHOWN BLANK ARE UNUSED

| | | | |
|----|---|---|----|
| 2 | T | T | 1 |
| 4 | T | T | 3 |
| 6 | T | T | 5 |
| 8 | T | T | 7 |
| 10 | | | 9 |
| 12 | | | 11 |
| 14 | S | S | 13 |
| 16 | T | T | 15 |
| 18 | T | T | 17 |
| 20 | T | T | 19 |
| 22 | T | T | 21 |
| 24 | | | 23 |
| 26 | | | 25 |
| 28 | S | S | 27 |

VIEW FROM NUMBERED SIDE OF BLOCK

OUTER TERMINAL BLOCK ASSY: -

ASSEMBLY INSTRUCTIONS: -
 TYPICAL ASSEMBLY DRAWING 2995G10029.
 AT INDICATED POSITIONS FIT AS FOLLOWS:
 S - FIT STANDARD CONTACT 2995B10051
 HC - FIT 'HEAVY CURRENT' KIT 2995G10030
 WHERE ⊖⊖ IS SHOWN FIT CT SHORTING KIT 2995G10031
 POSITIONS SHOWN BLANK ARE UNUSED.
 ALL POSITIONS FIT SCREW 2106F12506.

| | | | |
|----|---|---|----|
| 2 | S | S | 1 |
| 4 | S | S | 3 |
| 6 | S | S | 5 |
| 8 | S | S | 7 |
| 10 | | | 9 |
| 12 | | | 11 |
| 14 | S | S | 13 |
| 16 | S | S | 15 |
| 18 | S | S | 17 |
| 20 | S | S | 19 |
| 22 | S | S | 21 |
| 24 | | | 23 |
| 26 | | | 25 |
| 28 | S | S | 27 |

VIEW FROM INSIDE FACE

| | | | | |
|---------------|--------------------|---------------------|---|-----------------------|
| 7 | 20/01/10 | MN112/3238 | Title: T.B. & W.D. FOR XR205/6 4 CONTACT RELAYS IN EPSILON E4 CASE | First used on: |
| | | | | Similar Articles: |
| ISSUE | DATE | MOD.No. | Original Scale: . | Supersedes: |
| DRAWN: A.LAW. | CHECKED: RD.WATSON | APPROVED: RD.WATSON | | DATE: 20/01/2010 |
| | | | SIEMENS PROTECTION DEVICES LTD. | Drq.No. 2112W50097 |
| | | | | OPS: |