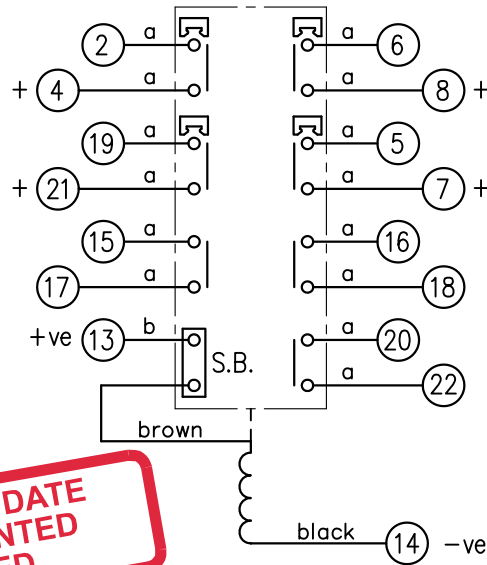


LOOKING ON FRONT OF RELAY



NOT SUBJECT TO UPDATE
ONCE COPIED / PRINTED
OR DOWNLOADED

NOTE:

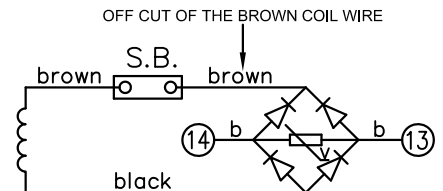
1. HEAVY DUTY CONTACTS ARE FITTED WITH BLOWOUT MAGNETS AND ARE POLARITY CONSCIOUS SEE ABOVE CONFIGURATION FOR THE POSITIVE TERMINALS.

ASSEMBLY WIRES USED		
a	2107B10001	14 OFF
b	2107D10161	3 OFF

KEY	
	make contact
	break contact
	c/o contact
	ext. conn
	plug bridge - shorting
	metering point
	5Kv barrier
	test socket - shorting
	plug & socket

COIL	2112G20019	2112G20020	2112G20022	2112G20023	2112G20026	2112G20029
Vdc	24	30	50	60	125	240

NOTE: WHEN RECTIFIER IS SPECIFIED COIL CONNS. ARE AS SHOWN.



FRAME REFERENCE: E2FAQM.

FRAME TERMINAL BLOCK ASSY: -

ASSEMBLY INSTRUCTIONS: -

TYPICAL ASSEMBLY DRAWING 2995G10032.

AT INDICATED POSITIONS FIT AS FOLLOWS:

T - FIT TRIP ISOLATION CONTACT 2995B10053

S - FIT STANDARD CONTACT 2995B10054

SECURE CONTACTS USING FIXING SCREW

2109F99009.

POSITIONS SHOWN BLANK ARE UNUSED

2	T		1
4	T		3
6	T	T	5
8	T	T	7
10			9
12			11
14	S	S	13
16	T	T	15
18	T	T	17
20	T	T	19
22	T	T	21
24			23
26			25
28			27

VIEW FROM NUMBERED SIDE OF BLOCK

OUTER TERMINAL BLOCK ASSY: -

ASSEMBLY INSTRUCTIONS: -

TYPICAL ASSEMBLY DRAWING 2995G10029.

AT INDICATED POSITIONS FIT AS FOLLOWS:

S - FIT STANDARD CONTACT 2995B10051

HC - FIT 'HEAVY CURRENT' KIT 2995G10030

WHERE IS SHOWN FIT CT SHORTING

KIT 2995G10031

POSITIONS SHOWN BLANK ARE UNUSED.

ALL POSITIONS FIT SCREW 2106F12506.

2	S		1
4	S		3
6	S	S	5
8	S	S	7
10			9
12			11
14	S	S	13
16	S	S	15
18	S	S	17
20	S	S	19
22	S	S	21
24			23
26			25
28			27

VIEW FROM INSIDE FACE

Copyright © 2002 VATECH REYROLLE ACP Ltd. Hebburn

			Title. T.B. AND W.D. FOR AR112SB RELAY WITH 4MHD/3MSTD/1SB CONTACTS		First used on:	
					Similar Articles:	
					Supersedes:	
					Drg.No.	
			VATECH REYROLLE		2112W50155	
			AUTOMATION, CONTROL & PROTECTION			
3 RDW	09/10/12	MN112/3556 JB				
2 RDW	16/01/04	MN112/2606				
1	30/10/02					
ISSUE	DATE	MOD.No.				
DRAWN:	A.LAW.	CHECKED:	RD.WATSON	APPROVED:	RD.WATSON	DATE: 31/10/02
					IE:	OPS: