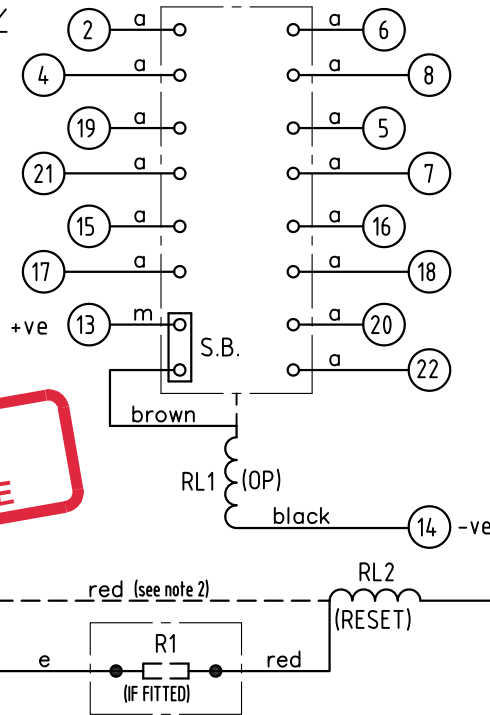


2112W50089

LOOKING ON FRONT OF RELAY



FOR INTERNAL USE ONLY
UNCONTROLLED COPY
NOT SUBJECT TO UPDATE

NOTE:

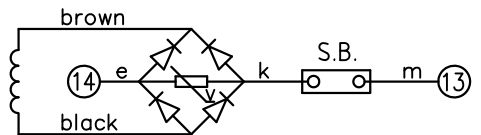
1. RESET SOLENOIDS ARE NOT CONTINUOUSLY RATED. IT IS RECOMMENDED THAT A N.O. CONTACT IS CONNECTED IN SERIES WITH THE RESET COIL.
2. DASHED LINE --- SHOWS CONNECTIONS WHEN RESISTORS ARE NOT FITTED.

ASSEMBLY WIRES USED	
a	2107B10001 14 OFF
e	2107D10161 10FF
m	2107D10181 10FF

COMPONENT BOARD ASSY	NIL	2112G11502	2112G11545	2112G11503	NIL	2112G11505
RL2 (RESET) KIT	SOLKIT:6V	SOLKIT:6V	SOLKIT:6V	SOLKIT:12V	SOLKIT:36V	SOLKIT:36V
RL1 (OP) COIL	2112G20019	2112G20020	2112G20022	2112G20023	2112G20026	2112G20029
R1	NIL	2102C15687 6R8	2102C25180 18R	2102C15270 27R	NIL	2102C15471 470R
VOLTAGE	24	30	48	60	125	240

KEY	CONTACT CONFIG.	OUTPUT CONTACT PAIR / TERMINAL No.									
		1-3	2-4	5-7	6-8	9-11	10-12	15-17	16-18	19-21	20-22
⊖⊖ make contact	7M 1SB		M	M	M			M	M	M	M
⊖⊖⊖ break contact	6M 1B 1SB		M	M	M			M	B	M	M
⊖⊖⊖ c/o contact	5M 2B 1SB		B	M	M			M	B	M	M
⊖⊖ ext. conn	4M 3B 1SB		B	M	M			B	B	M	M
⊖⊖⊖ plug bridge	3M 4B 1SB		B	M	M			B	B	M	B
⊖⊖⊖ - shorting	2M 5B 1SB		B	M	B			B	B	M	B
⊖⊖⊖ metering point	1M 6B 1SB		B	M	B			B	B	B	B
⊖⊖⊖ 5Kv barrier	7B 1SB		B	B	B			B	B	B	B
⊖⊖⊖ test socket - shorting											
⊖⊖⊖ plug & socket											

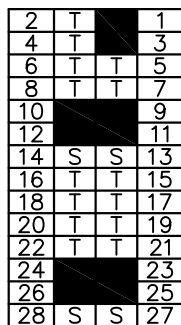
NOTE: WHEN RECTIFIER IS SPECIFIED COIL CONNS AND ADDITIONAL WIRES ARE AS SHOWN.



FRAME REFERENCE: E2FAQM.

FRAME TERMINAL BLOCK ASSY: -

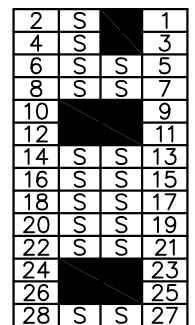
ASSEMBLY INSTRUCTIONS: -
TYPICAL ASSEMBLY DRAWING 2995G10032.
AT INDICATED POSITIONS FIT AS FOLLOWS:
T - FIT TRIP ISOLATION CONTACT 2995B10053
S - FIT STANDARD CONTACT 2995B10054
SECURE CONTACTS USING FIXING SCREW 2109F99009.
POSITIONS SHOWN BLANK ARE UNUSED



VIEW FROM NUMBERED SIDE OF BLOCK

OUTER TERMINAL BLOCK ASSY: -

ASSEMBLY INSTRUCTIONS: -
TYPICAL ASSEMBLY DRAWING 2995G10029.
AT INDICATED POSITIONS FIT AS FOLLOWS:
S - FIT STANDARD CONTACT 2995B10051
HC - FIT 'HEAVY CURRENT' KIT 2995G10030
WHERE ⊖⊖⊖ IS SHOWN FIT CT SHORTING KIT 2995G10031
POSITIONS SHOWN BLANK ARE UNUSED.
ALL POSITIONS FIT SCREW 2106F12506.



VIEW FROM INSIDE FACE

Title: T.B. AND W.D. FOR AR1-3SB 8 CONTACT RELAYS IN EPSILON E2 CASE.			First used on:	
4 N.C 19/06/15 MN112/3882 LD			Similar Articles:	
3 RDW 09/10/12 MN112/3556 JB			Supersedes:	
2 RDW 16/01/04 MN112/2606			Drg.No.	
1 28/04/99			2112W50089	
ISSUE DATE MOD.No.			Original Scale.	
DRAWN: A.LAW. CHECKED:			APPROVED: R.D.WATSON DATE: 17/07/02	
			Copyright © 2015 Reyrolle Ltd.	