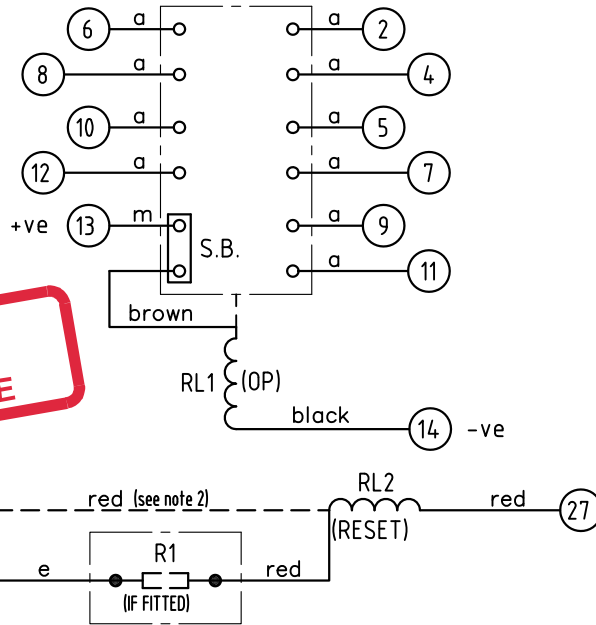


LOOKING ON FRONT OF RELAY



FOR INTERNAL USE ONLY
UNCONTROLLED COPY
NOT SUBJECT TO UPDATE

NOTE:

1. RESET SOLENOIDS ARE NOT CONTINUOUSLY RATED. IT IS RECOMMENDED THAT A N.O. CONTACT IS CONNECTED IN SERIES WITH THE RESET COIL.
2. DASHED LINE --- SHOWS CONNECTIONS WHEN RESISTORS ARE NOT FITTED.

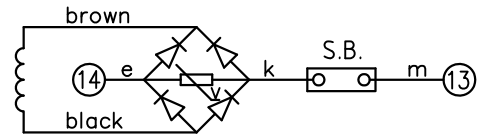
ASSEMBLY WIRES USED	
a	2107B10001 10 OFF
e	2107D10161 10FF
m	2107D10181 10FF

COMPONENT BOARD ASSY	NIL	2112G11502	2112G11545	2112G11503	NIL	2112G11505
RL2 (RESET) KIT	SOLKIT:6V	SOLKIT:6V	SOLKIT:6V	SOLKIT:12V	SOLKIT:36V	SOLKIT:36V
RL1 (OP) COIL	2112G20019	2112G20020	2112G20022	2112G20023	2112G20026	2112G20029
R1	NIL	2102C15687 6R8	2102C25180 18R	2102C15270 27R	NIL	2102C15471 470R
VOLTAGE	24	30	48	60	125	240

- KEY**
- make contact
 - break contact
 - c/o contact
 - ext. conn
 - plug bridge
 - shorting
 - metering point
 - 5Kv barrier
 - test socket
 - shorting
 - plug & socket

CONTACT CONFIG.	OUTPUT CONTACT PAIR / TERMINAL No.						
	1-3	2-4	5-7	6-8	9-11	10-12	
5M 1SB	M	M	M	M	M	M	
4M 1B 1SB	B	M	M	M	M	M	
3M 2B 1SB	B	M	B	M	M	M	
2M 3B 1SB	B	B	B	M	M	M	
1M 4B 1SB	B	B	B	M	B	B	
5B 1SB	B	B	B	B	B	B	

NOTE: WHEN RECTIFIER IS SPECIFIED COIL CONNS AND ADDITIONAL WIRES ARE AS SHOWN.



FRAME REFERENCE: E2FAQM.

FRAME TERMINAL BLOCK ASSY: -

ASSEMBLY INSTRUCTIONS: -
TYPICAL ASSEMBLY DRAWING 2995G10032.
AT INDICATED POSITIONS FIT AS FOLLOWS:
T - FIT TRIP ISOLATION CONTACT 2995B10053
S - FIT STANDARD CONTACT 2995B10054
SECURE CONTACTS USING FIXING SCREW 2109F99009.
POSITIONS SHOWN BLANK ARE UNUSED

2	T		1
4	T		3
6	T	T	5
8	T	T	7
10	T	T	9
12	T	T	11
14	S	S	13
16			15
18			17
20			19
22			21
24			23
26			25
28	S	S	27

VIEW FROM NUMBERED SIDE OF BLOCK

OUTER TERMINAL BLOCK ASSY: -

ASSEMBLY INSTRUCTIONS: -
TYPICAL ASSEMBLY DRAWING 2995G10029.
AT INDICATED POSITIONS FIT AS FOLLOWS:
S - FIT STANDARD CONTACT 2995B10051
HC - FIT 'HEAVY CURRENT' KIT 2995G10030
WHERE IS SHOWN FIT CT SHORTING KIT 2995G10031
POSITIONS SHOWN BLANK ARE UNUSED.
ALL POSITIONS FIT SCREW 2106F12506.

2	S		1
4	S		3
6	S	S	5
8	S	S	7
10	S	S	9
12	S	S	11
14	S	S	13
16			15
18			17
20			19
22			21
24			23
26			25
28	S	S	27

VIEW FROM INSIDE FACE

Title: T.B. AND W.D. FOR AR1-3SB 6 CONTACT RELAYS IN EPSILON E2 CASE.			First used on:		
4 N.C 19/06/15 MN112/3882 LD			Similar Articles:		
3 RDW 09/10/12 MN112/3556 JB			Supersedes:		
2 RDW 16/01/04 MN112/2606			Drg.No.		
1 28/04/99			2112W50088		
Reyrolle Protection Hebburn.			Copyright © 2015 Reyrolle Ltd.		
DRAWN: A.LAW.	CHECKED:	APPROVED: R.D.WATSON	DATE: 17/07/02		