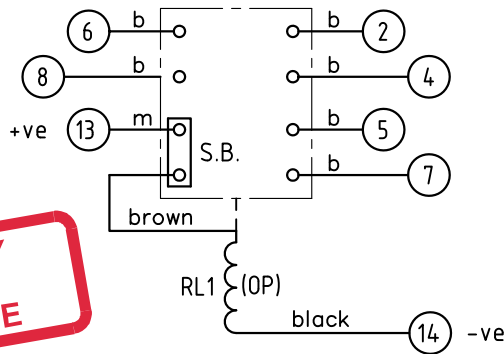
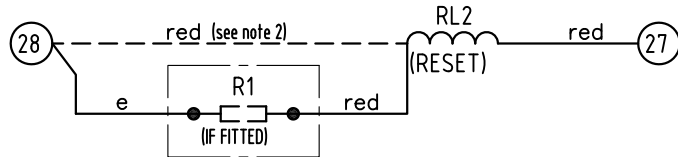


LOOKING ON FRONT OF RELAY



FOR INTERNAL USE ONLY  
UNCONTROLLED COPY  
NOT SUBJECT TO UPDATE



NOTE:

- RESET SOLENOIDS ARE NOT CONTINUOUSLY RATED. IT IS RECOMMENDED THAT A N.O. CONTACT IS CONNECTED IN SERIES WITH THE RESET COIL.
- DASHED LINE --- SHOWS CONNECTIONS WHEN RESISTORS ARE NOT FITTED.

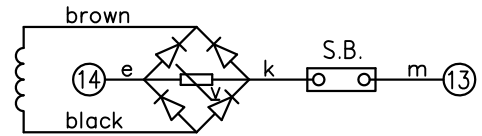
ASSEMBLY WIRES USED	
b	2107B10002 6 OFF
e	2107D10161 1 OFF
m	2107D10181 1 OFF

COMPONENT BOARD ASSY	NIL	2112G11502	2112G11545	2112G11503	NIL	2112G11505
RL2 (RESET) KIT	SOLKIT:6V	SOLKIT:6V	SOLKIT:6V	SOLKIT:12V	SOLKIT:36V	SOLKIT:36V
RL1 (OP) COIL	2112G20019	2112G20020	2112G20022	2112G20023	2112G20026	2112G20029
R1	NIL	2102C15687 6R8	2102C25180 18R	2102C15270 27R	NIL	2102C15471 470R
VOLTAGE	24	30	48	60	125	240

- KEY**
- make contact
  - break contact
  - c/o contact
  - ext. conn
  - plug bridge - shorting
  - metering point
  - 5Kv barrier
  - test socket - shorting
  - plug & socket

CONTACT CONFIG.	OUTPUT CONTACT PAIR / TERMINAL No.					
	1-3	2-4	5-7	6-8	9-11	10-12
3M 1SB	/	M	M	M	/	/
2M 1B 1SB	/	B	M	M	/	/
1M 2B 1SB	/	B	M	B	/	/
3B 1SB	/	B	B	B	/	/

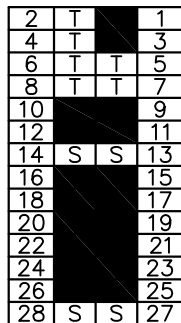
NOTE: WHEN RECTIFIER IS SPECIFIED COIL CONNS AND ADDITIONAL WIRES ARE AS SHOWN.



FRAME REFERENCE: E2FAQM.

FRAME TERMINAL BLOCK ASSY: -

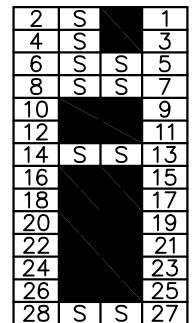
ASSEMBLY INSTRUCTIONS: -  
TYPICAL ASSEMBLY DRAWING 2995G10032.  
AT INDICATED POSITIONS FIT AS FOLLOWS:  
T - FIT TRIP ISOLATION CONTACT 2995B10053  
S - FIT STANDARD CONTACT 2995B10054  
SECURE CONTACTS USING FIXING SCREW 2109F99009.  
POSITIONS SHOWN BLANK ARE UNUSED



VIEW FROM NUMBERED SIDE OF BLOCK

OUTER TERMINAL BLOCK ASSY: -

ASSEMBLY INSTRUCTIONS: -  
TYPICAL ASSEMBLY DRAWING 2995G10029.  
AT INDICATED POSITIONS FIT AS FOLLOWS:  
S - FIT STANDARD CONTACT 2995B10051  
HC - FIT 'HEAVY CURRENT' KIT 2995G10030  
WHERE IS SHOWN FIT CT SHORTING KIT 2995G10031  
POSITIONS SHOWN BLANK ARE UNUSED.  
ALL POSITIONS FIT SCREW 2106F12506.



VIEW FROM INSIDE FACE

Title: T.B. AND W.D. FOR AR1-3SB 4 CONTACT RELAYS IN EPSILON E2 CASE.			First used on:	
4 N.C 19/06/15 MN112/3882 LD			Similar Articles:	
3 RDW 09/10/12 MN112/3556 JB			Supersedes:	
2 RDW 16/01/04 MN112/2606			Drg.No.	
1 28/04/99			2112W50087	
<b>Reyrolle Protection Hebburn.</b>			Original Scale.	
DRAWN: A.LAW.	CHECKED:	APPROVED: R.D.WATSON	DATE: 17/07/02	Copyright © 2015 Reyrolle Ltd.