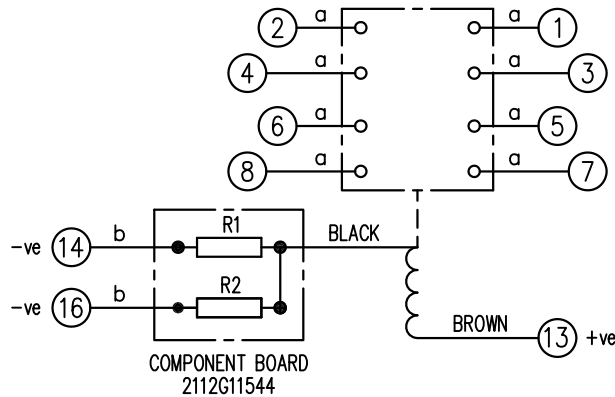


2112W50201

LOOKING ON FRONT OF RELAY



NOT SUBJECT TO UPDATE
ONCE COPIED / PRINTED
OR DOWNLOADED

COIL	2112G20126
R1	5K6
R2	5K6
VOLTS DC	125

ASSEMBLY WIRES USED		
REF.	ARTICLE No.	No. OFF
a	2107B10002	8 OFF
b	2107D10181	2 OFF

KEY	CONTACT CONFIG.	OUTPUT CONTACT PAIR / TERMINAL No.					
		1-3	2-4	5-7	6-8	9-11	10-12
make contact	4M	M	M	M	M		
break contact	3M 1B	M	B	M	M		
c/o contact	2M 2B	B	B	M	M		
ext. conn	1M 3B	B	B	M	B		
plug bridge - shorting	4B	B	B	B	B		
metering point							
5Kv barrier							
test socket - shorting							
plug & socket							

FRAME REF/ASSEMBLY DRAWING: E2FS06.

FRAME TERMINAL BLOCK ASSY: -

ASSEMBLY INSTRUCTIONS: -

TYPICAL ASSEMBLY DRAWING 2995G10032.

AT INDICATED POSITIONS FIT AS FOLLOWS:

T - FIT TRIP ISOLATION CONTACT 2995B10053

S - FIT STANDARD CONTACT 2995B10054

SECURE CONTACTS USING FIXING SCREW

2109F99009.

POSITIONS SHOWN BLANK ARE UNUSED

2	T	T	1
4	T	T	3
6	T	T	5
8	T	T	7
10			9
12			11
14	S	S	13
16	S		15
18			17
20			19
22			21
24			23
26			25
28			27

VIEW FROM NUMBERED SIDE OF BLOCK

OUTER TERMINAL BLOCK ASSY: -

ASSEMBLY INSTRUCTIONS: -

TYPICAL ASSEMBLY DRAWING 2995G10029.

AT INDICATED POSITIONS FIT AS FOLLOWS:

S - FIT STANDARD CONTACT 2995B10051

HC - FIT 'HEAVY CURRENT' KIT 2995G10030

WHERE IS SHOWN FIT CT SHORTING

KIT 2995G10031

POSITIONS SHOWN BLANK ARE UNUSED.

ALL POSITIONS FIT SCREW 2106F12506.

2	S	S	1
4	S	S	3
6	S	S	5
8	S	S	7
10			9
12			11
14	S	S	13
16	S		15
18			17
20			19
22			21
24			23
26			25
28			27

VIEW FROM INSIDE FACE

			Title: T.B. AND W.D. FOR XR151 RELAY IN EPSILON E2 CASE.		First used on:	
					Similar Articles:	
					Supersedes:	
2 RDW 02/10/12 M3553/112			Original Scale:		Drg.No.	
1 23/02/11			SIEMENS PROTECTION DEVICES LTD.		2112W50201	
ISSUE DATE MOD.No.						
DRAWN: J.BURNETT.		CHECKED:RD.WATSON	APPROVED:RD.WATSON	DATE: 16/05/2011	IE:	OPS: