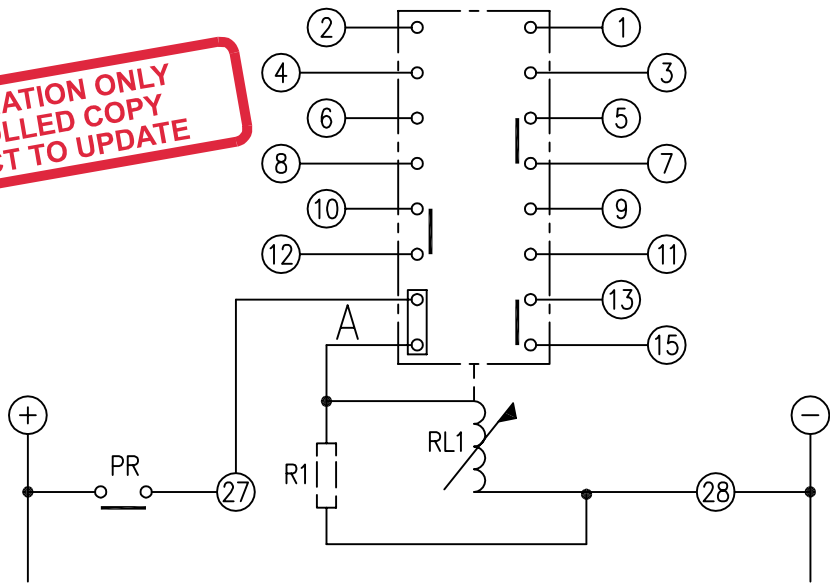


LOOKING ON FRONT OF RELAY

2112W50011

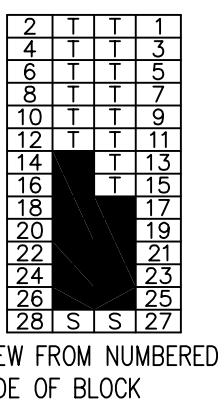
**FOR INFORMATION ONLY
UNCONTROLLED COPY
NOT SUBJECT TO UPDATE**



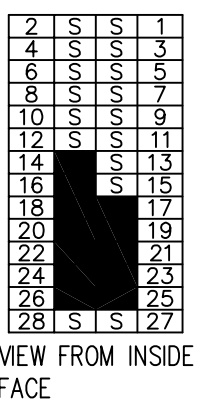
KEY	220&240		1x470R 2102C45471					
	○ ○	125	2x100R in series		2102C41101			
□ □	50	1x390R		2102C35391				
□ □ □	30			NIL				
□ □ □ □	24			NIL				
○ ○ ○	VDC			R1				
②	CONTACT CONFIG.	OUTPUT CONTACT PAIR / TERMINAL No.						
⌋	7M	1-3	2-4	5-7	6-8	9-11	10-12	13-15
⌋	6M 1B	M	M	M	M	M	M	M
⌋	5M 2B	B	B	M	M	M	M	M
⌋	4M 3B	B	B	M	B	M	M	M
⌋	3M 4B	B	B	M	B	B	M	M
⌋								
⌋								
⌋								
⌋								
⌋								
⌋								

NOTE:
1. CONTACT CONFIGURATION ABOVE IS REQUIRED FOR RELAY OPERATION. FOR DETAILS OF VARIABLE CONTACT OPTIONS SEE TABLE OPPOSITE.
2. RESISTOR R1 IS FITTED ONLY WHEN REQUIRED.

FRAME REFERENCE: E2FAQM.
FRAME TERMINAL BLOCK ASSY: -
ASSEMBLY INSTRUCTIONS: -
TYPICAL ASSEMBLY DRAWING 2995G10032.
AT INDICATED POSITIONS FIT AS FOLLOWS:
T - FIT TRIP ISOLATION CONTACT 2995B10053
S - FIT STANDARD CONTACT 2995B10054
SECURE CONTACTS USING FIXING SCREW 2109F99009.
POSITIONS SHOWN BLANK ARE UNUSED



OUTER TERMINAL BLOCK ASSY: -
ASSEMBLY INSTRUCTIONS: -
TYPICAL ASSEMBLY DRAWING 2995G10029.
AT INDICATED POSITIONS FIT AS FOLLOWS:
S - FIT STANDARD CONTACT 2995B10051
HC - FIT 'HEAVY CURRENT' KIT 2995G10030
WHERE ○ ○ IS SHOWN FIT CT SHORTING KIT 2995G10031
POSITIONS SHOWN BLANK ARE UNUSED.
ALL POSITIONS FIT SCREW 2106F12506.



			Title. T.B. AND WIRING DIAG. FOR TR221-7 RELAYS IN EPSILON E2 CASE.		First used on:	
					Similar Articles:	
					Supersedes:	
2 RDW	11/11/05	MN112/2744	Reyrolle Protection Hebburn.		Original Scale. Drg.No. 2112W50011	
1	07/04/99					
ISSUE	DATE	MOD.No.				
DRAWN: A.LAW.	CHECKED:	APPROVED: R.D.WATSON	DATE: 16/07/02	Copyright © 1998 Reyrolle Ltd.		