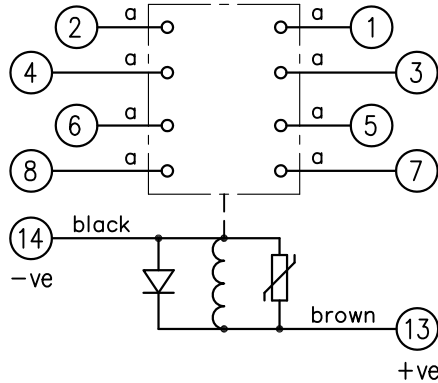


LOOKING ON FRONT OF RELAY

2112W50184

**NOT SUBJECT TO UPDATE
ONCE COPIED / PRINTED
OR DOWNLOADED**

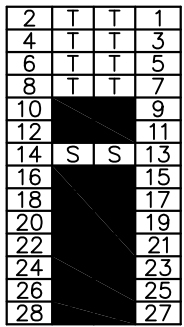


KEY

- make contact
- break contact
- c/o contact
- ext. conn
- plug bridge - shorting
- metering point
- 5Kv barrier
- test socket - shorting
- plug & socket

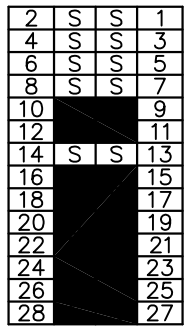
COIL Vdc	ASSEMBLY WIRES USED					
	2112G20019	2112G20020	2112G20022	2112G20023	2112G20026	2112G20029
	24	30	50	60	125	240
CONTACT CONFIG.	OUTPUT CONTACT PAIR / TERMINAL No.					
	1-3	2-4	5-7	6-8	9-11	10-12
4M(HD)	M+	M+	M+	M+	/	/
3M(HD) 1B(HD)	M+	M+	M+	+B	/	/
2M(HD) 2M(STD)	M+	M+	M	M	/	/
2M(HD) 2B(STD)	M+	M+	B	B	/	/
2M(HD) 2B(HD)	M+	M+	+B	+B		

FRAME REFERENCE: E2FAQQ.
 FRAME TERMINAL BLOCK ASSY: -
 ASSEMBLY INSTRUCTIONS: -
 TYPICAL ASSEMBLY DRAWING 2995G10032.
 AT INDICATED POSITIONS FIT AS FOLLOWS:
 T - FIT TRIP ISOLATION CONTACT 2995B10053
 S - FIT STANDARD CONTACT 2995B10054
 SECURE CONTACTS USING FIXING SCREW 2109F99009.
 POSITIONS SHOWN BLANK ARE UNUSED



VIEW FROM NUMBERED SIDE OF BLOCK

OUTER TERMINAL BLOCK ASSY: -
 ASSEMBLY INSTRUCTIONS: -
 TYPICAL ASSEMBLY DRAWING 2995G10029.
 AT INDICATED POSITIONS FIT AS FOLLOWS:
 S - FIT STANDARD CONTACT 2995B10051
 HC - FIT 'HEAVY CURRENT' KIT 2995G10030
 WHERE IS SHOWN FIT CT SHORTING
 KIT 2995G10031
 POSITIONS SHOWN BLANK ARE UNUSED.
 ALL POSITIONS FIT SCREW 2106F12506.



VIEW FROM INSIDE FACE

Copyright © 2008 VATECH REYROLLE ACP Ltd. Hebburn

Title: T.B. AND W.D. FOR AR1-1D 4C (STD&HD) RELAYS IN EPSILON E2 CASE.			First used on:		
3 RDW 17/07/12 MN112/3539 JB			Similar Articles:		
2 RDW 02/07/08 MN112/2976			Supersedes:		
1 09/05/08			Drg.No. 2112W50184		
ISSUE	DATE	MOD.No.	Original Scale: .		
DRAWN: A.LAW.	CHECKED: RDW	APPROVED: RD.WATSON	DATE: 09/05/08	IE:	OPS: