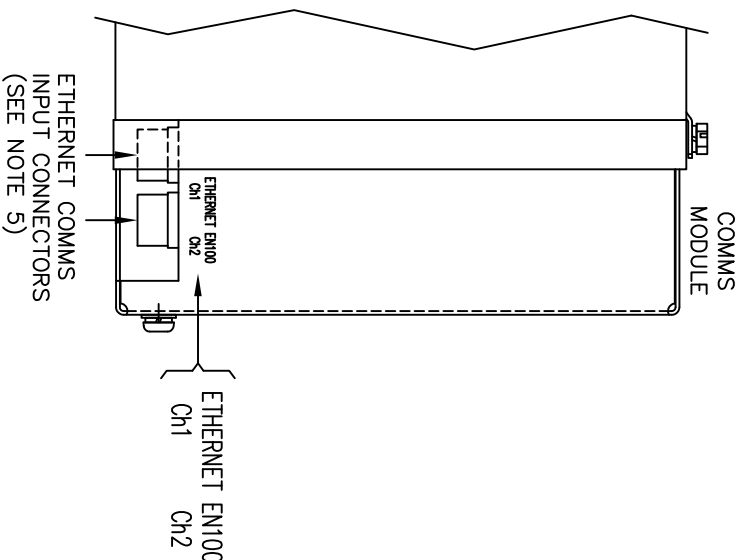
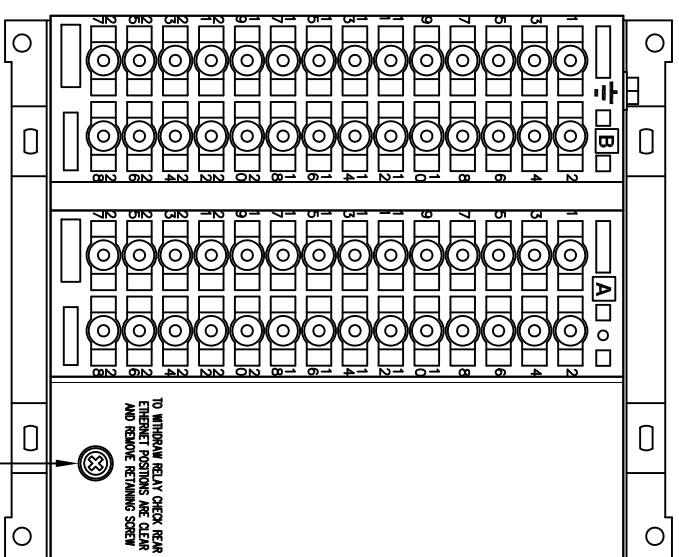


1 IF IN DOUBT ASK
2 DO NOT SCALE



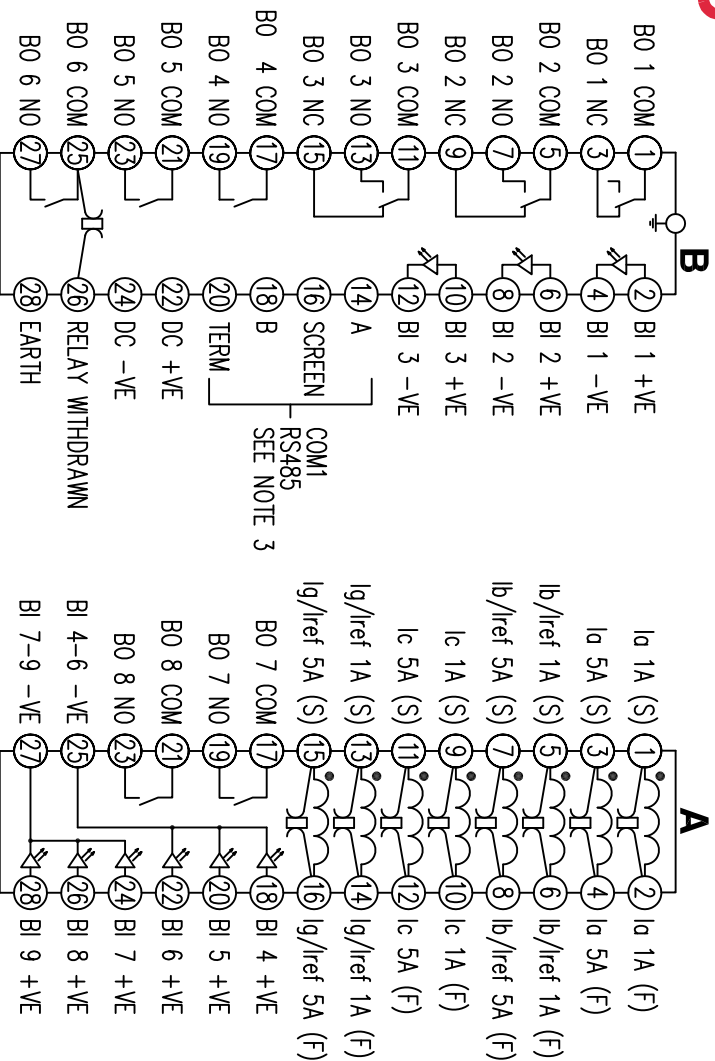
NOT SUBJECT TO UPDATE
ONCE COPIED / PRINTED
OR DOWNLOADED

ABBREVIATIONS

I	-CURRENT INPUTS
BI	-BINARY INPUTS
BO	-BINARY OUTPUTS
CO	-CHANGE OVER BINARY OUTPUT CONTACTS
NO	-NORMALLY OPEN BINARY OUTPUT CONTACTS
NC	-NORMALLY CLOSED BINARY OUTPUT CONTACTS

COMMUNICATIONS IDENTIFICATION

COM1	RS485 (ON BLOCK 'B' TERMINALS 14,16,18 & 20)
COM2	USB TYPE 'B' PORT (ON RELAY FRONT LABEL)
COM3	ETHERNET(x2) PORTS (ON REAR COMMS MODULE)



Copyright © 2012 Siemens Protection Devices Ltd. Hebburn

2 RDW	18.07.13	RETAINING SCREW POSITION CHANGED.
30/7/13	18.07.13	MN435/3650, 3J1770, KB
1	26/01/12	CHANGE NOTED

MATERIAL:

Dimensions in millimetres : Surface texture in micrometres.

Machine where marked ∇

For explanation of dimensions, tolerances, notes etc. see B.S.308.

Limit on untoleranced unmachined dimensions \pm

Limit on untoleranced machined dimensions to B.S.4500:

i.e. up to 6 \pm 0.1; over 30 to 120 \pm 0.3; over 315 \pm 0.8;

over 6 to 30 \pm 0.2; over 120 to 315 \pm 0.5;

General unmachined angular tolerance \pm

DRAWN K.B. CHECKED RD.WATSON APPROVED RD.WATSON

DATE 15/02/2012

IE

OPS

PCP

Purch. Spec. TQ

EAC

CE

STD

A3

Finish:

Treatment:

Title:

TERMINAL ID & WIRING DIAGRAM FOR 7SR23(DAD)
4I, 9BI, 2C0,5NO,1NC, RS485, ETHERNET(x2), E6 CASE

SIEMENS PROTECTION DEVICES LTD.

Original Scale.

NTS

Drg. No.

2414W40005

First used on:

Similar Articles:

Supersedes: