

IF IN DOUBT ASK
DO NOT SCALE

A

B

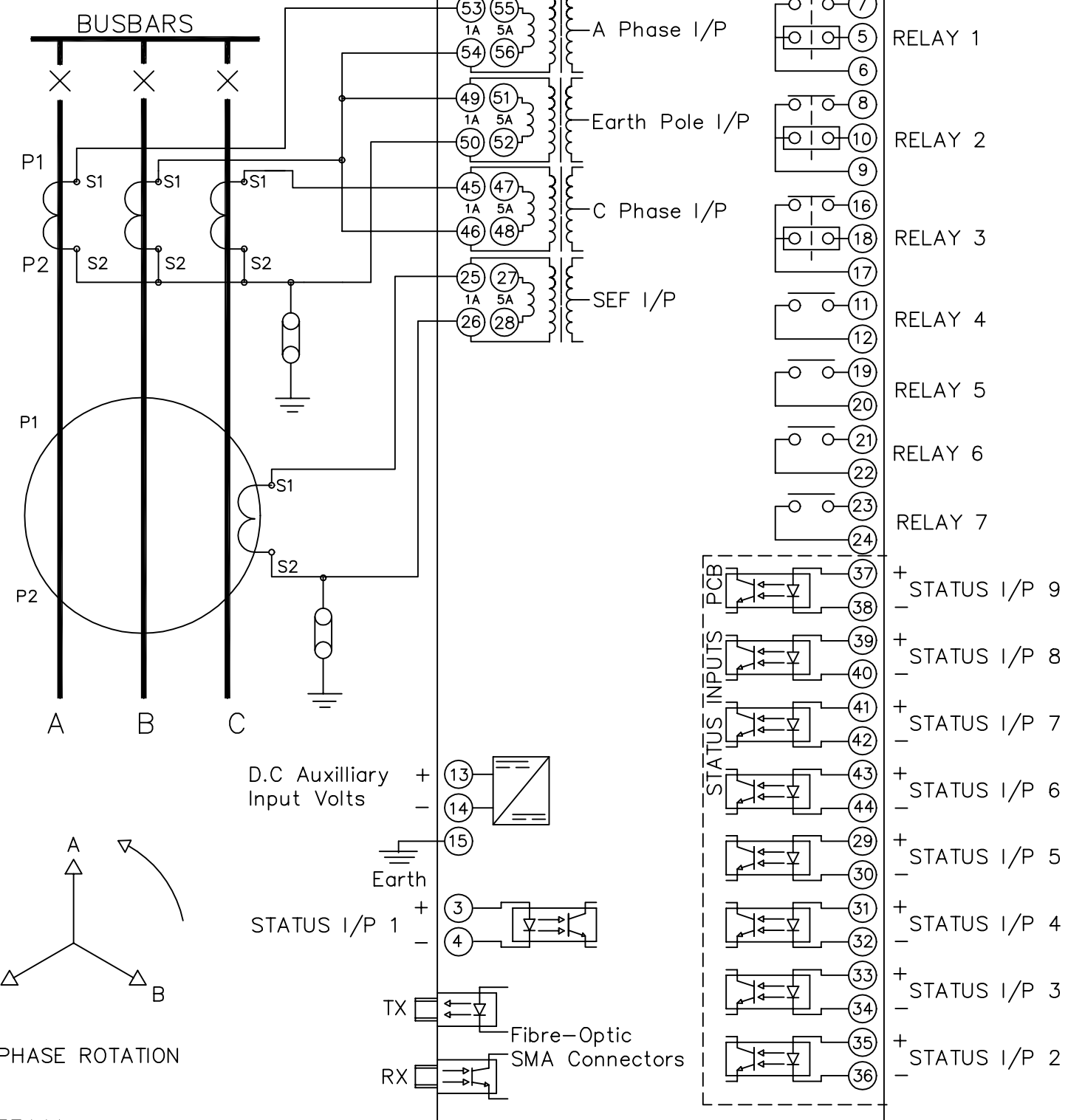
C

D

E

F

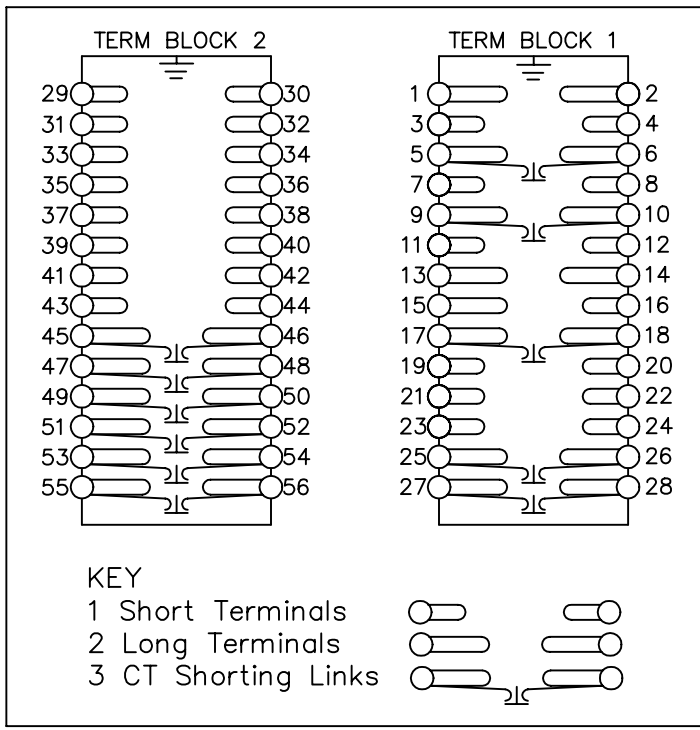
DCD42x C R6 Case Size



- NOTES
- 1 CT CIRCUITS ARE SHOWN CONNECTED TO RELAY 1 AMP TAP. USE ALTERNATIVE TAP FOR 5AMP RATED CTs.
 - 2 CT & EARTH CONNECTIONS ARE TYPICAL ONLY.
 - 3 METROSIL & SETTING RESISTORS ARE REQUIRED FOR HIGH IMPEDANCE & RESTRICTED E/F APPLICATIONS.
 - 4 FOR TERMINAL DIAGRAM SEE 2434W20001 (A2)
 - 5 DRG SHOWS OPTION C (7 O/P. 9 I/P).

NOT SUBJECT TO UPDATE
ONCE COPIED / PRINTED
OR DOWNLOADED

TERMINAL BLOCKS VIEWED FROM REAR



MATERIAL:

Dimensions in millimetres : Surface texture in micrometres.
Machine where marked ✓
For explanation of dimensions, tolerances, notes etc. see B.S.308.
Limit on untoleranced unmachined dimensions ± _____
Limits on untoleranced machined dimensions to B.S.4500;
i.e. up to 6±0.1; over 30 to 120±0.3; over 315±0.8;
over 6 to 30±0.2; over 120 to 315±0.5;
General unmachined angular tolerance ± _____

Finish: _____
Treatment: _____

Title: TYPICAL SCHEMATIC DIAGRAM FOR 2 PHASE + E/F + SEF.
DCD OVERCURRENT RELAY

Reyrolle Protection
Hebburn.

Original Scale: NTS

First used on: _____
Similar Articles: 2434W10019
Supersedes: _____
Drg. No. 2434W10034